

DLD2706-A V1

27" TFT LCD, LED Backlight 1200nits, FHD(1920x1080)

The DLD2706-A is a 27 inch industrial grade sunlight readable LCD, with high brightness 1200 nits and high color saturation, it produce sharp images, crisp text and lifelike colors. The Durapixel LED backlight technology ensures high reliability and low power consumption, suitable for outdoor application, kiosk, factory automation, military, transportation and gaming application.



KEY FEATURES

- High Brightness 1200 nits
- Sunlight Readable
- LED Backlight
- Low Power Consumption
- Slim Bezel
- BL MTBF: 100,000 hours

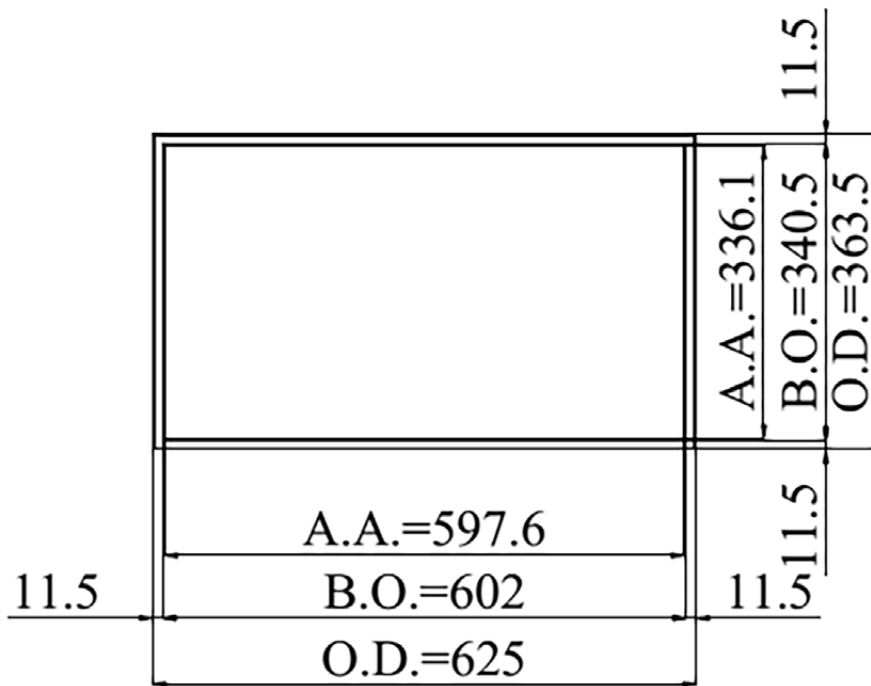
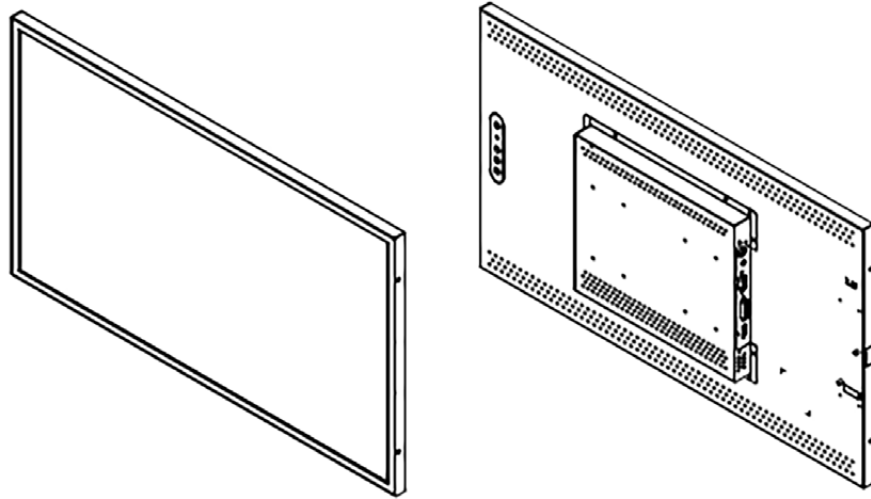
SPECIFICATIONS

Model No.	DLD2706-A V1
Description	27" TFT LCD, LED Backlight 1200 nits, FHD (1920x1080)
Display Area (mm)	597.6 (H) x 336.15(V)
Brightness	1200 cd/m ²
Resolution	1920x1080
Aspect Ratio	16 : 9
Contrast Ratio	3600 : 1
Pixel Pitch (mm)	0.311(H) x 0.311(V)
Pixel Per Inch (PPI)	81
Viewing Angle	178°(H),178°(V)
Color Saturation (NTSC)	81%
Display Colors	16.7M
Response Time (Typical)	12ms
Panel Interface	LVDS
AD Board Input Interface	VGA, DVI-D, DP
Input Power	DC12V
Power Consumption	62W
Dimensions (mm)	625 x 363.5 x 45.1
Bezel Size(U/B/L/R)	11.5/11.5/11.5/11.5 mm
Weight (Net)	6.2kg
Mounting	200x100, 100x100
OSD Key	4 Keys (Power Switch, Menu, +, -)
OSD Control	Brightness, Color, Contrast, Auto Turing, H/V Position...etc
Operating Temperature	0 °C ~ 50 °C
Storage Temperature	-20 °C ~ 60 °C

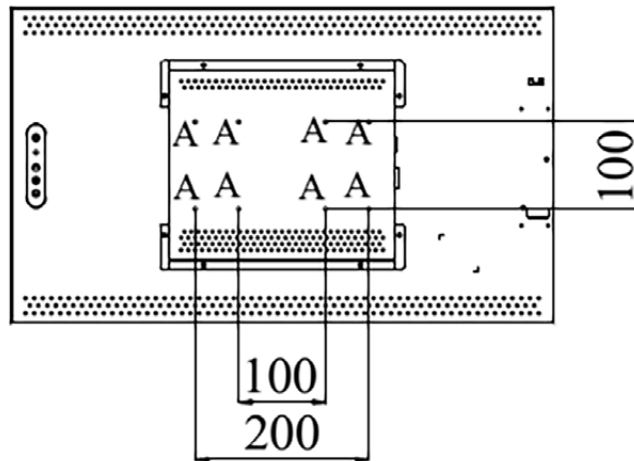
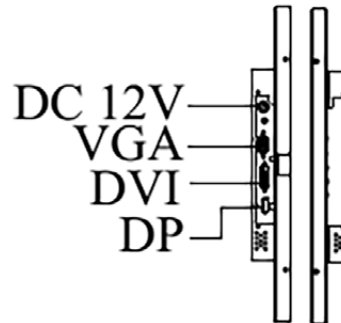
*Specifications are subject to change without notice. **All brands or product names are trademarks or registered trademarks of their respective companies.

DLD/DLO = Panel+ LED Driving Board + Control Board + Housing

MECHANICAL DRAWING Unit: mm



MECHANICAL DRAWING Unit: mm



NOTE :
O.D. : OUTLINE DIMENSION
B.O. : BEZEL OPENING
A.A. : LCD ACTIVE AREA

A : 8-M4_USER HOLE_MAX. DEPTH= 6 mm