

# DLD2708-BNW V1 MaxRGB

27" TFT LCD, LED Backlight 1000nits,MaxRGB FHD (1920x1080)

The DLD2708-BNW is a 27 inch industrial grade sunlight readable and HCS (High Color Saturation) LCD, with high brightness 1000 nits and high color saturation, it produce sharp images, crisp text and lifelike colors. The Durapixel LED backlight technology ensures high reliability and low power consumption, suitable for outdoor application, kiosk, factory automation, military, transportation and gaming application.



## KEY FEATURES

- High Brightness 1000 nits
- Sunlight Readable
- LED Backlight
- Low Power Consumption
- High Color Saturation
- BL MTBF: 100,000 hours

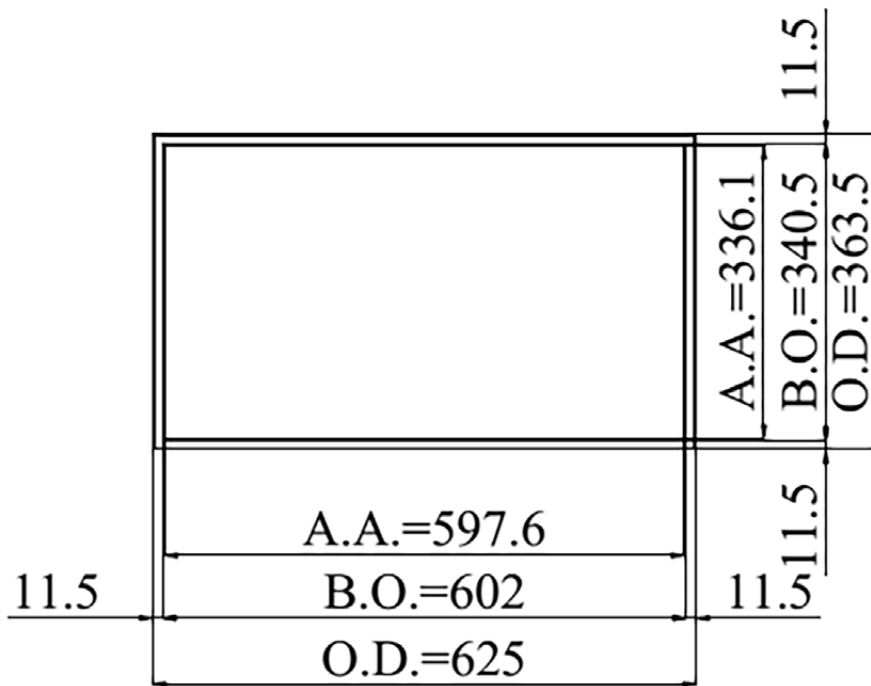
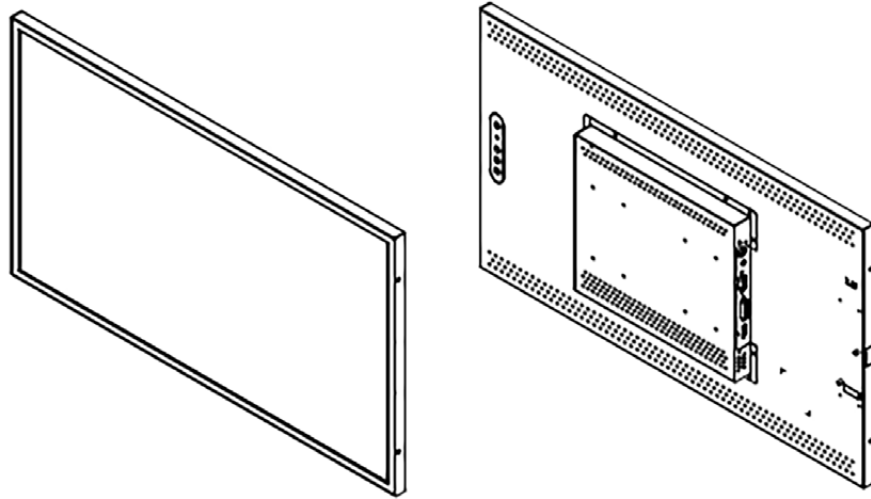
## SPECIFICATIONS

| Model No.                | DLD2708-BNW V1   |
|--------------------------|--|
| Description              | 27" TFT LCD, LED Backlight 1000 nits,MaxRGB FHD (1920x1080)  |
| Display Area (mm)        | 597.888 (H) x 336.312(V)                                     |
| Brightness               | 1000 cd/m <sup>2</sup>                                       |
| Resolution               | 1920x1080  |
| Aspect Ratio             | 16 : 9   |
| Contrast Ratio           | 1000 : 1   |
| Pixel Pitch (mm)         | 0.3114(H) x 0.3114(V)  |
| Pixel Per Inch (PPI)     | 81   |
| Viewing Angle            | 178°(H),178°(V)  |
| Color Saturation (NTSC)  | 94%  |
| Display Colors           | 16.7M  |
| Response Time (Typical)  | 14ms   |
| Panel Interface          | LVDS   |
| AD Board Input Interface | VGA, DVI-D, DP   |
| Input Power              | DC12V  |
| Power Consumption        | 62W  |
| Dimensions (mm)          | 625 x 363.5 x 45.1   |
| Bezel Size(U/B/L/R)      | 11.5/11.5/11.5/11.5 mm                                       |
| Weight (Net)             | 6.2kg  |
| Mounting                 | 200x100, 100x100   |
| OSD Key                  | 4 Keys (Power Switch, Menu, +, -)                            |
| OSD Control              | Brightness, Color, Contrast, Auto Turing, H/V Position...etc |
| Operating Temperature    | 0 °C ~ 50 °C   |
| Storage Temperature      | -20 °C ~ 60 °C   |

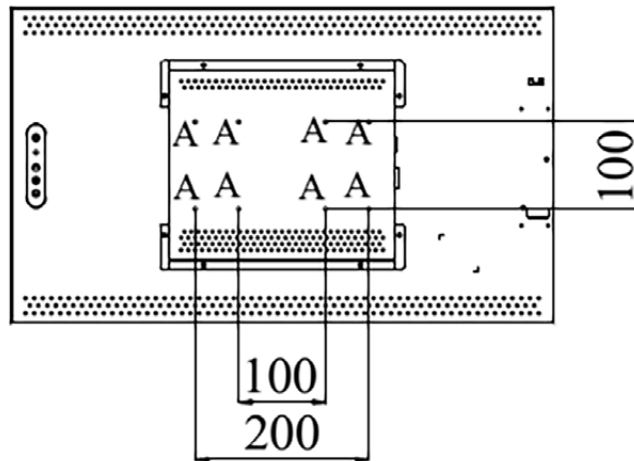
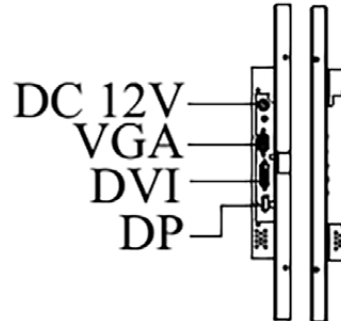
\*Specifications are subject to change without notice. \*\*All brands or product names are trademarks or registered trademarks of their respective companies.

DLD/DLO = Panel+ LED Driving Board + Control Board + Housing

MECHANICAL DRAWING Unit: mm



MECHANICAL DRAWING Unit: mm



NOTE :

O.D. : OUTLINE DIMENSION

B.O. : BEZEL OPENING

A.A. : LCD ACTIVE AREA

A : 8-M4\_USER HOLE\_MAX. DEPTH=6 mm