

# DLD3200-L / DLO3200-L V1

32" TFT LCD, LED Backlight 2500nits, FHD(1920x1080)

The DLD/DLO3200-L is a 32 inch industrial grade sunlight readable and high brightness 2500 nits and high color saturation, it produce sharp images, crisp text and lifelike colors. The Durapixel LED backlight technology ensures high reliability and low power consumption, suitable for outdoor application, kiosk, factory automation, military, transportation, gaming and medical, application.



## KEY FEATURES

- High Brightness 2500 nits
- Sunlight Readable
- LED Backlight
- Slim Bezel
- Low Power Consumption
- BL MTBF: 100,000 hours

## SPECIFICATIONS

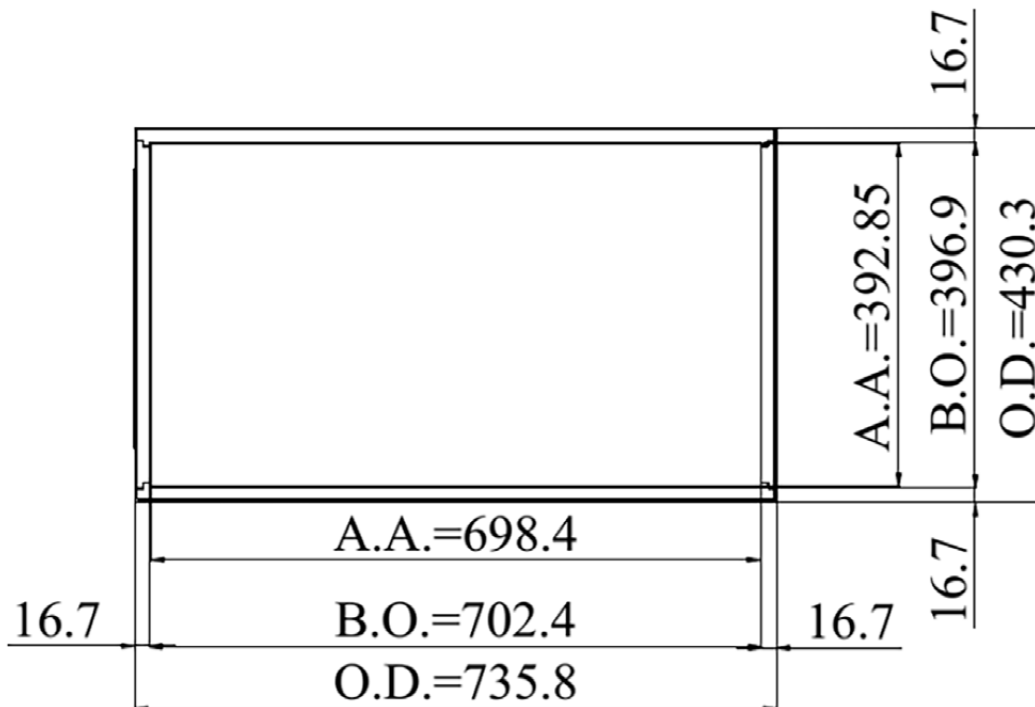
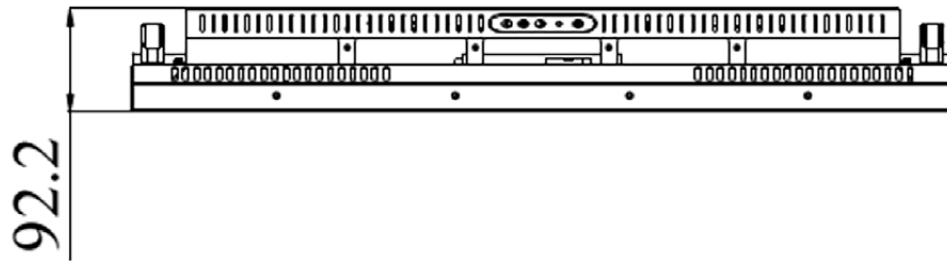
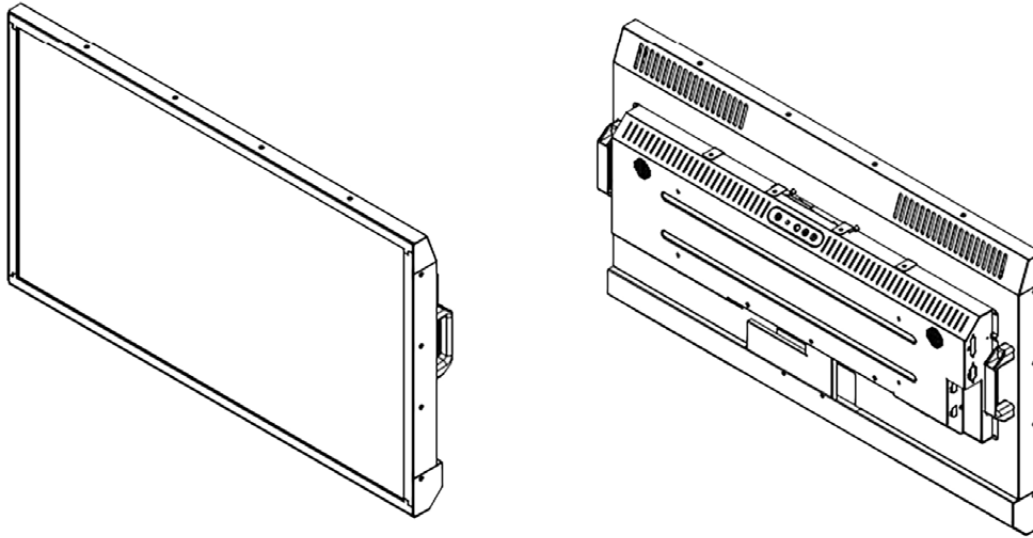
Model No.	DLD3200-L / DLO3200-L V1
Description	32" TFT LCD, LED Backlight 2500 nits, FHD (1920x1080)
Display Area (mm)	698.4(H) x 392.85(V)
Brightness	2500 cd/m <sup>2</sup>
Resolution	1920x1080
Aspect Ratio	16 : 9
Contrast Ratio	1100 : 1
Pixel Pitch (mm)	0.36375(H) x 0.36375(V)
Pixel Per Inch (PPI)	68
Viewing Angle	178°(H),178°(V)
Color Saturation (NTSC)	78%
Display Colors	16.7M
Response Time (Typical)	8ms
Video Interface	VGA, DVI-D, HDMI
Input Power	AC 100~240V
Power Consumption (SSF)	112W
Dimensions (mm)	735.8 x 430.3 x 92.2 & 775.8 x 430.3 x 92.2
Bezel Size(U/B/L/R)	16.7/16.7/16.7/16.7 mm
Weight (Net)	13.5kg & 13.8kg
Mounting	100 x 400
OSD Key	4 Keys (Power Switch, Menu, +, -)
OSD Control	Brightness, Color, Contrast, Auto Turing, H/V Position...etc
Operating Temperature	0 °C ~ 50 °C
Storage Temperature	-20 °C ~ 60 °C
Product Approval	CE/FCC

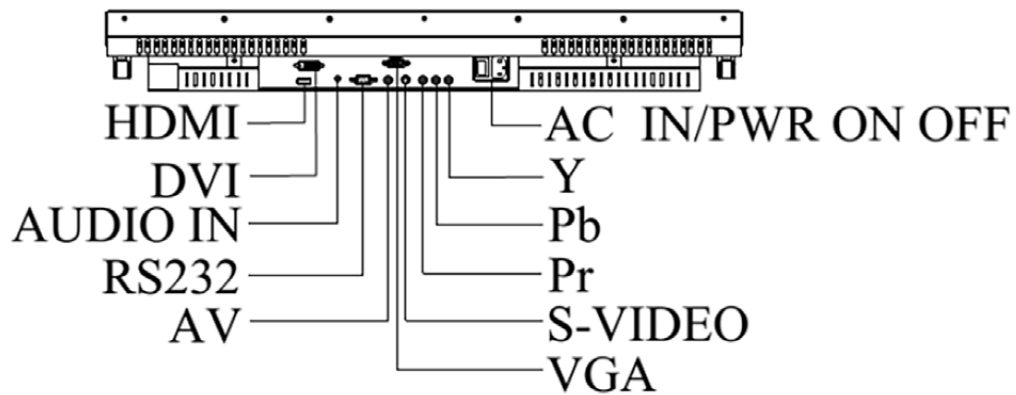
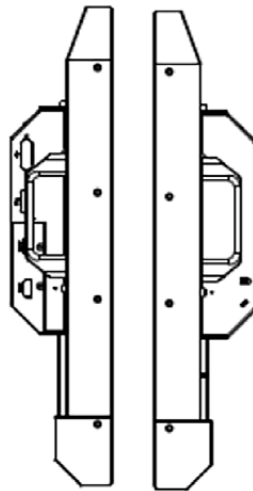
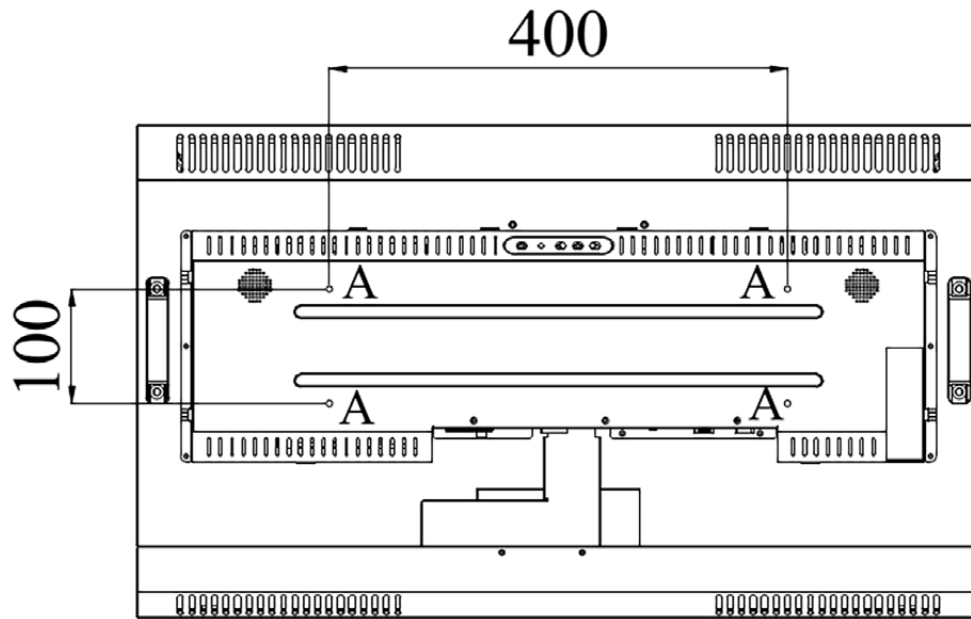
\*Specifications are subject to change without notice. \*\*All brands or product names are trademarks or registered trademarks of their respective companies.

DLD/DLO = Panel+ LED Driving Board + Control Board + Housing

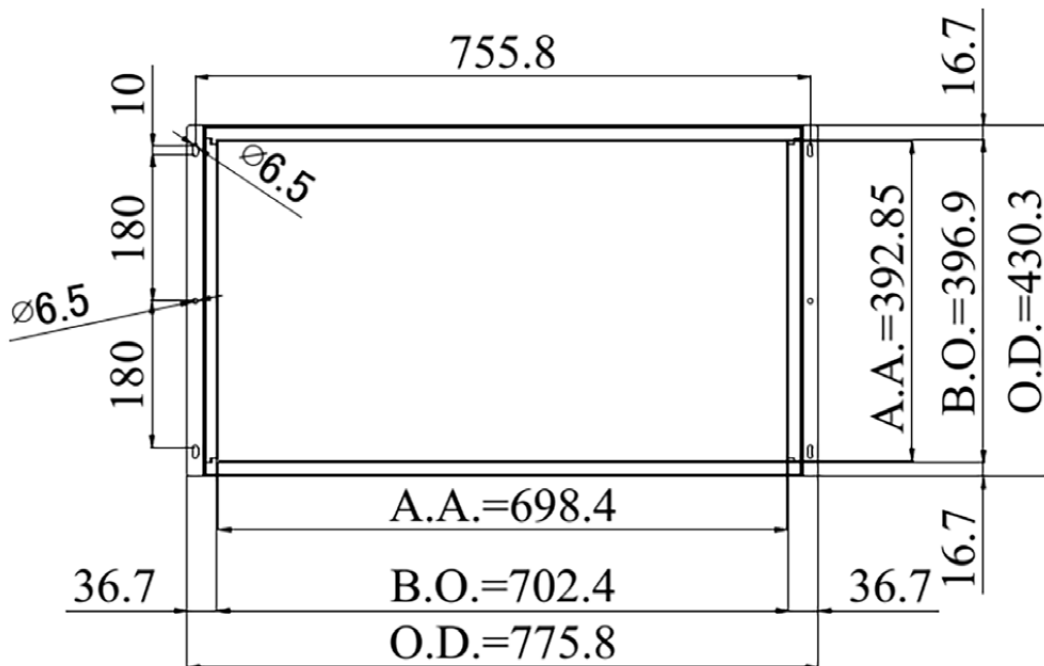
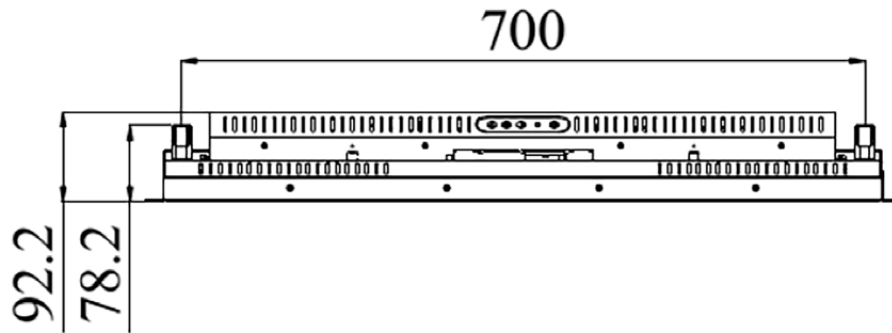
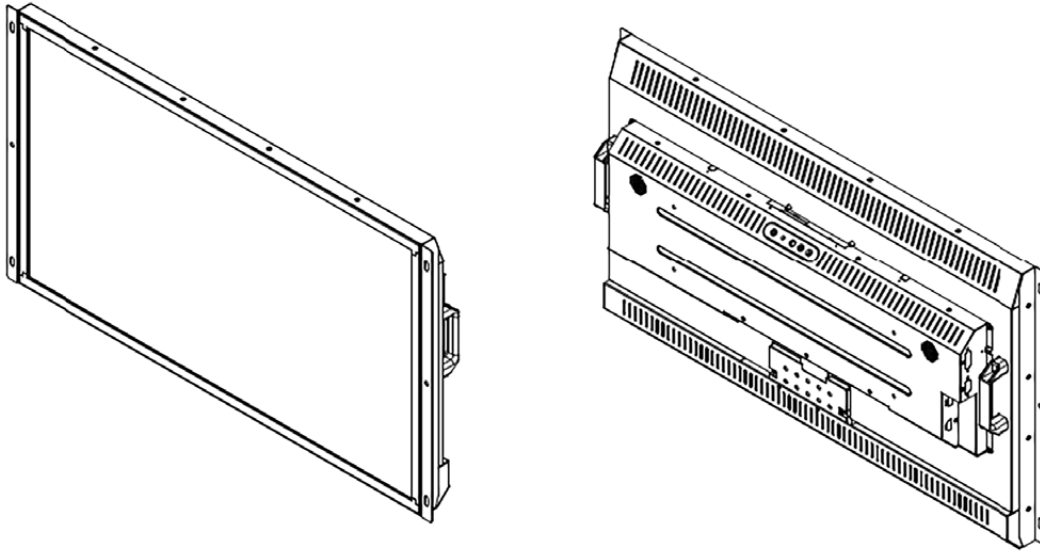
MECHANICAL DRAWING Unit: mm

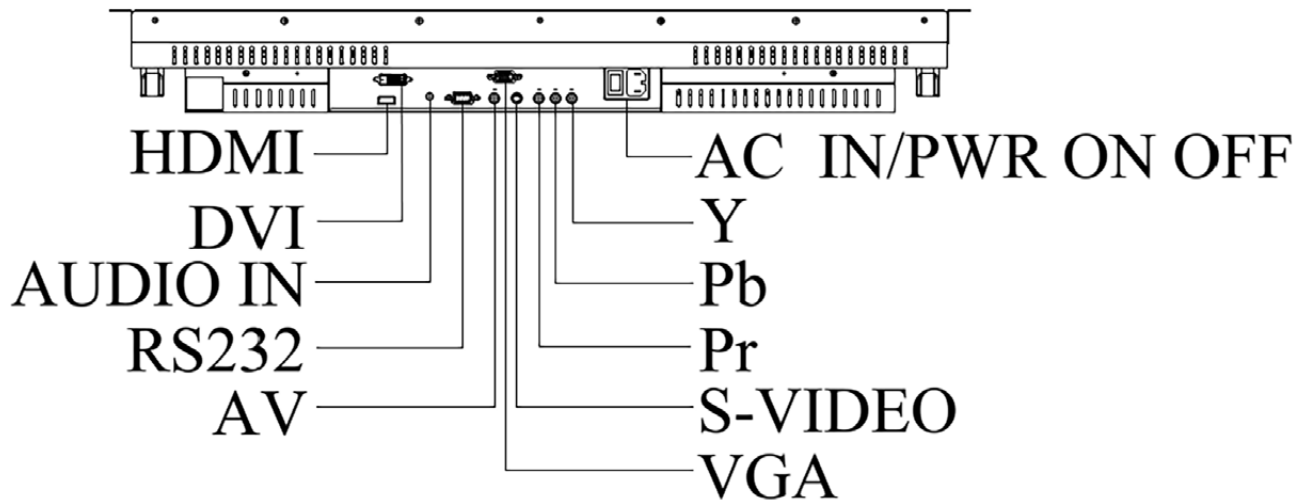
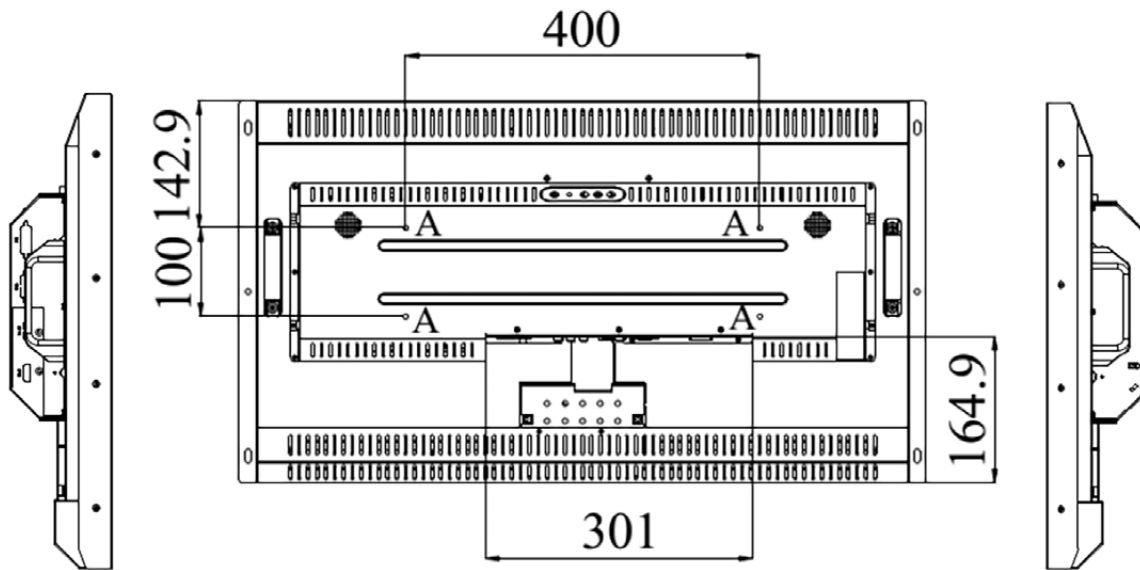
DLD3200-L





DLO3200-L





NOTE :

O.D. : OUTLINE DIMENSION

B.O. : BEZEL OPENING

A.A. : LCD ACTIVE AREA

A : 4-M6\_USER HOLE\_MAX. DEPTH= 6 mm