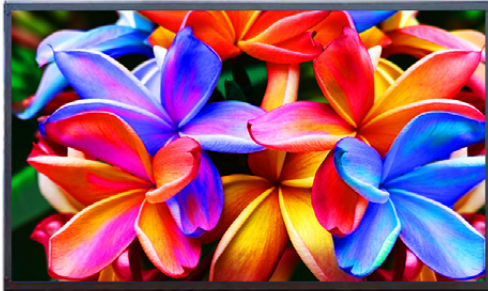


# DLD3255-ANW V1 MaxRGB



32" TFT LCD, LED Backlight 1000nits,MaxRGB FHD(1920x1080)

The DLD3255-ANW is a 32 inch industrial grade sunlight readable and HCS (High Color Saturation) LCD, with high brightness 1000 nits and high color saturation, it produce sharp images, crisp text and lifelike colors. The Durapixel LED backlight technology ensures high reliability and low power consumption, suitable for outdoor application, kiosk, factory automation, military, transportation and gaming application.



## KEY FEATURES

- High Brightness 1000 nits
- Sunlight Readable
- LED Backlight
- Low Power Consumption
- High Color Saturation
- BL MTBF: 100,000 hours

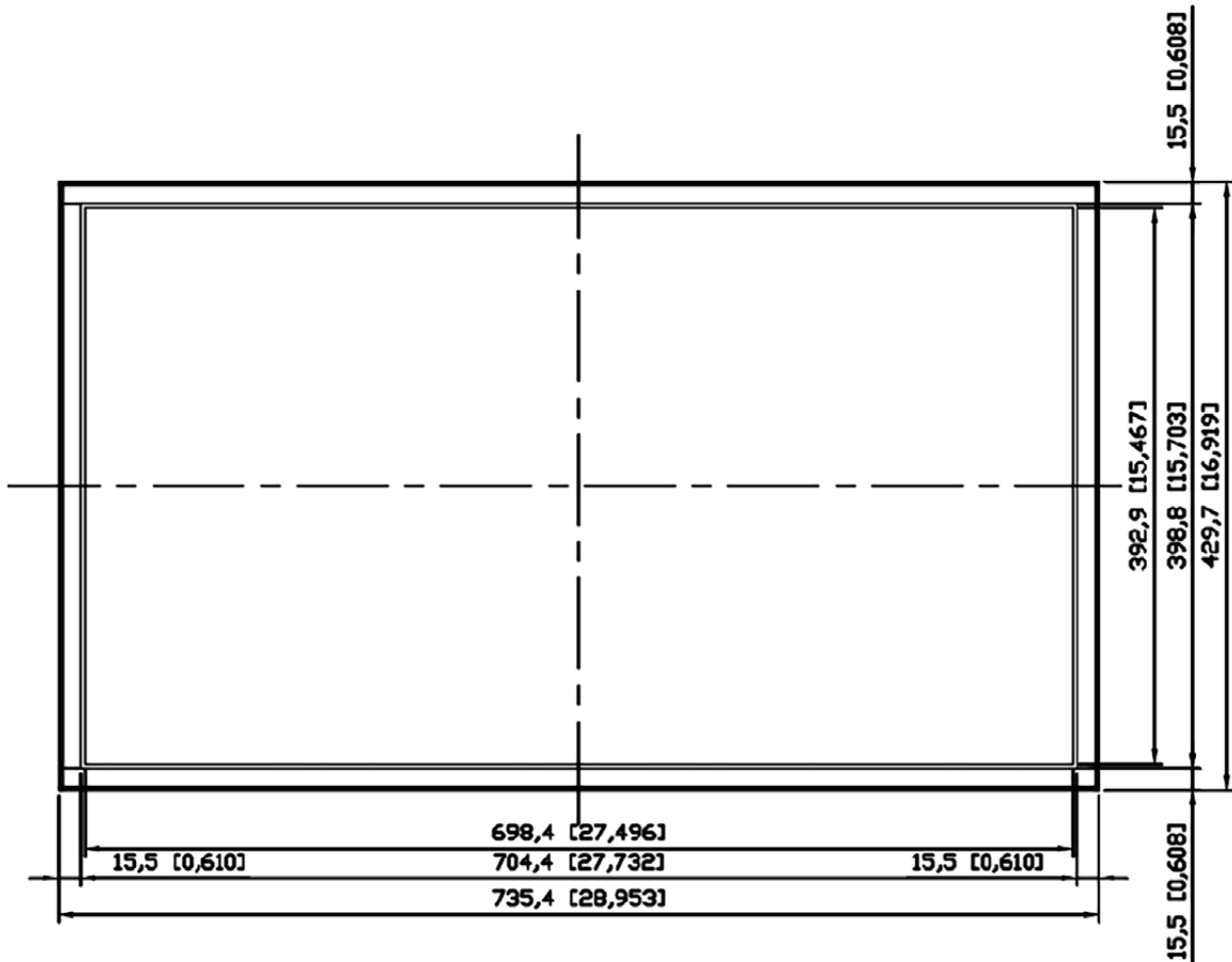
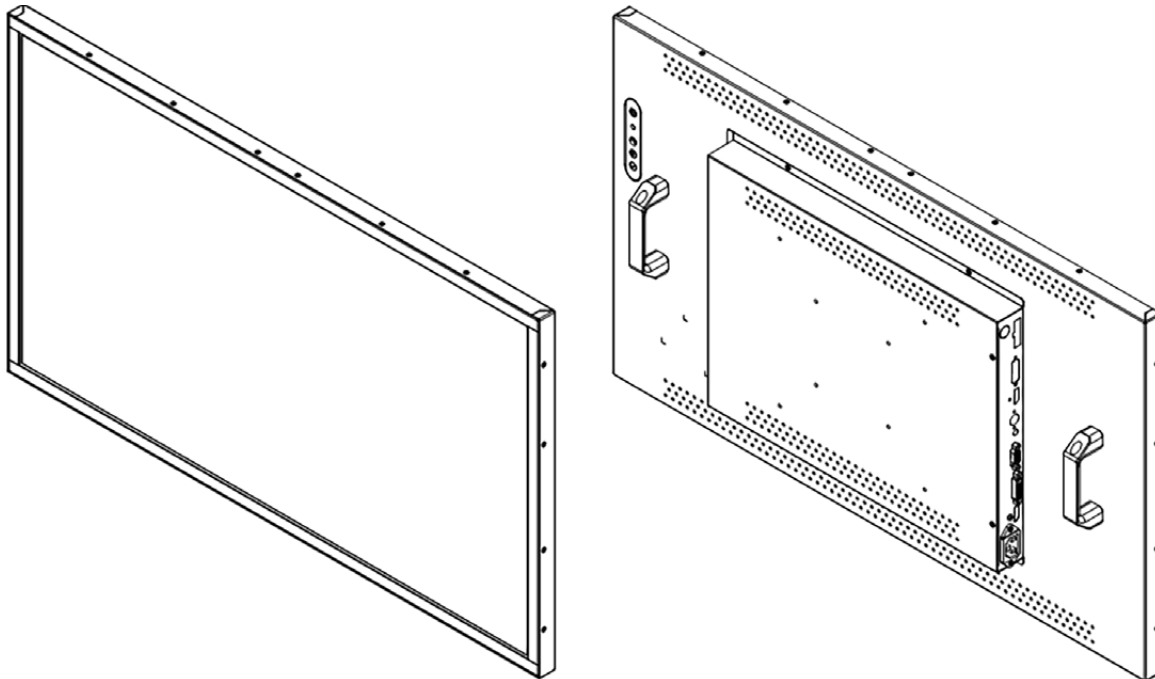
## SPECIFICATIONS

Model No.	DLD3255-ANW V1
Description	32" TFT LCD, LED Backlight 1000 nits,MaxRGB FHD (1920x1080)
Display Area (mm)	698.4(H) x 392.85(V)
Brightness	1000 cd/m <sup>2</sup>
Resolution	1920x1080
Aspect Ratio	16 : 9
Contrast Ratio	6300 : 1
Pixel Pitch (mm)	0.36375(H) x 0.36375 (V)
Pixel Per Inch (PPI)	68
Viewing Angle	178°(H),178°(V)
Color Saturation (NTSC)	96%
Display Colors	16.7M
Response Time (Typical)	6.5ms
Panel Interface	LVDS
AD Board Input Interface	VGA, DVI-D, DP
Input Power	AC100~240V
Power Consumption	71W
Dimensions (mm)	735.4 x 429.7 x 59.3
Bezel Size(U/B/L/R)	15.5/15.5/15.5/15.5 mm
Weight (Net)	10.6kg
Mounting	200x200, 100x100
OSD Key	4 Keys (Power Switch, Menu, +, -)
OSD Control	Brightness, Color, Contrast, Auto Turing, H/V Position...etc
Operating Temperature	0 °C ~ 50 °C
Storage Temperature	-20 °C ~ 60 °C

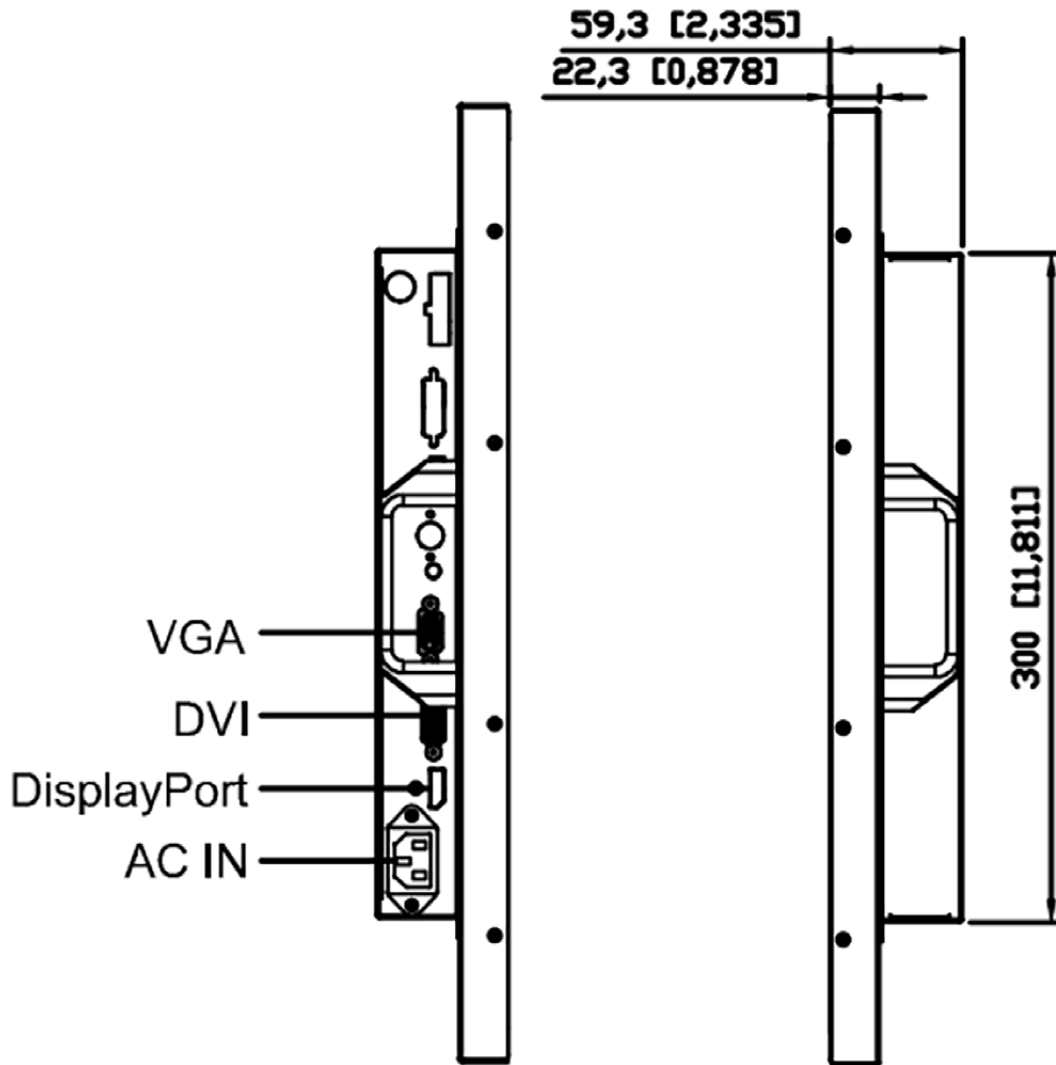
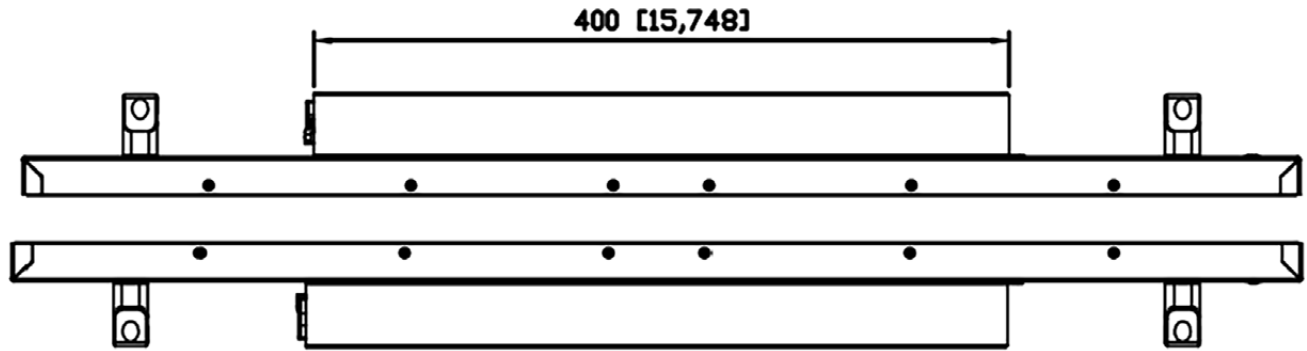
\*Specifications are subject to change without notice. \*\*All brands or product names are trademarks or registered trademarks of their respective companies.

DLD/DLO = Panel+ LED Driving Board + Control Board + Housing

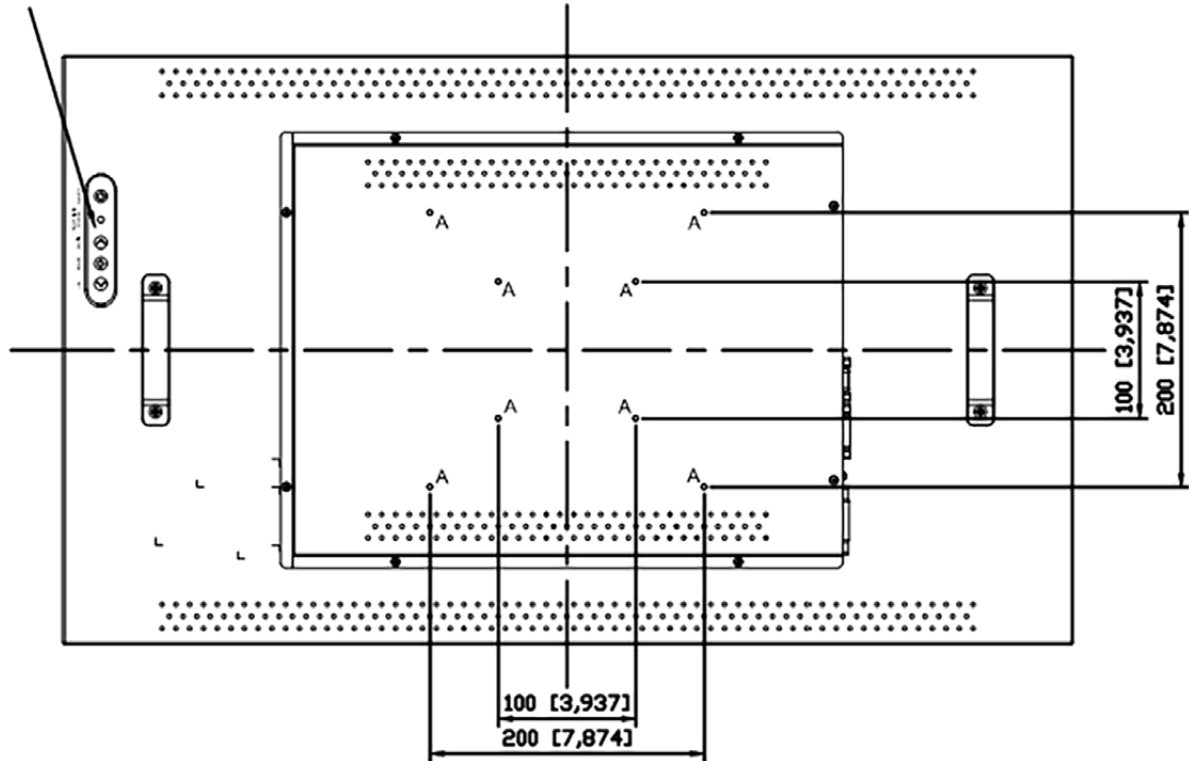
MECHANICAL DRAWING Unit: mm



MECHANICAL DRAWING Unit: mm



4-KEY MEMBRANE



Note :

O.D : Outline Dimension

B.O : Bezel Opening

A.A : LCD Active Area

A:8-M4\_USER\_HOLE\_MAX\_DEPTH=6mm