

DLD4300-L / DLO4300-L V1

43" TFT LCD, LED Backlight 2500nits, FHD(1920x1080)

The DLD/DLO4300-L is a 43 inch industrial grade sunlight readable and high brightness 2500 nits and high color saturation, it produce sharp images, crisp text and lifelike colors. The Durapixel LED backlight technology ensures high reliability and low power consumption, suitable for outdoor application, kiosk, factory automation, military, transportation, gaming and medical, application.



KEY FEATURES

- High Brightness 2500 nits
- Sunlight Readable
- LED Backlight
- Low Power Consumption
- LCD Blacking Defect Free (H-Tni 1100)
- Slim Bezel
- BL MTBF: 100,000 hours

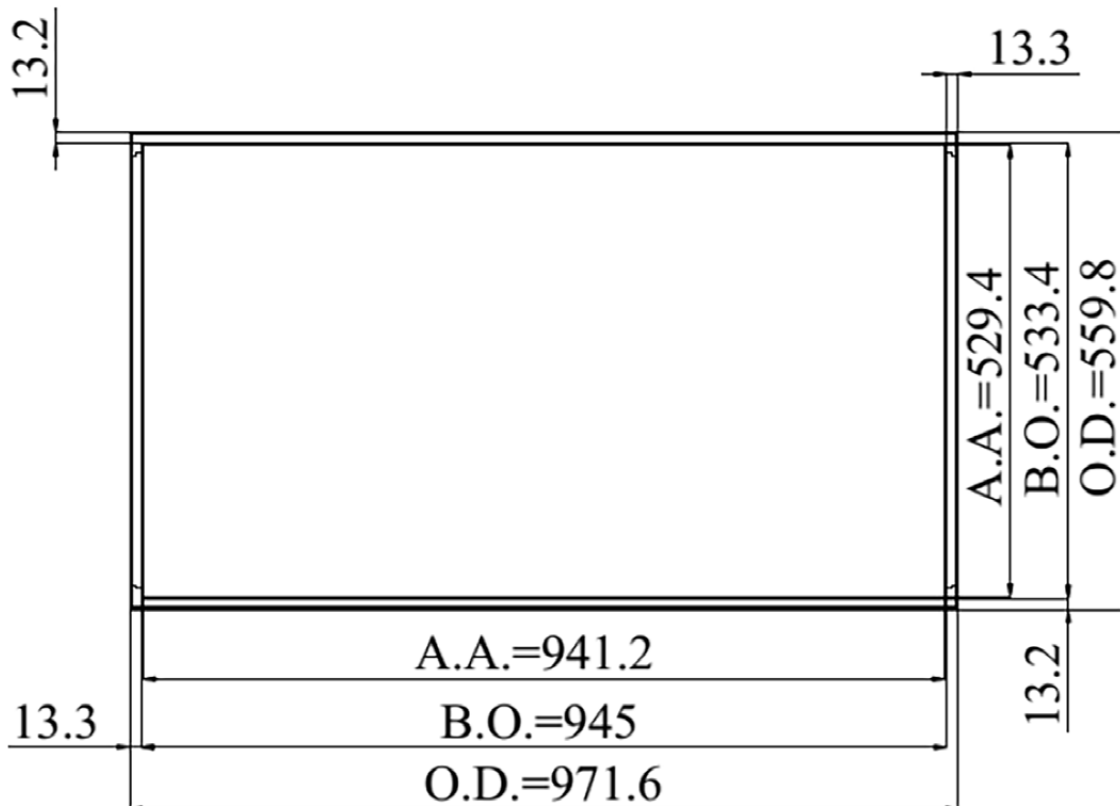
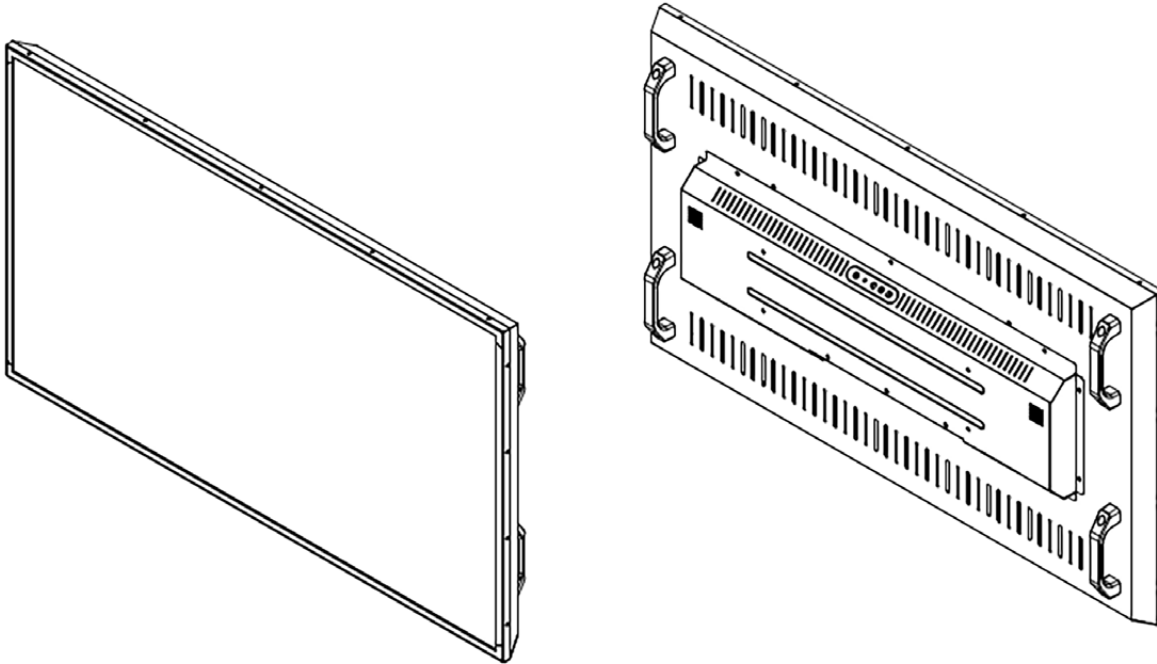
SPECIFICATIONS

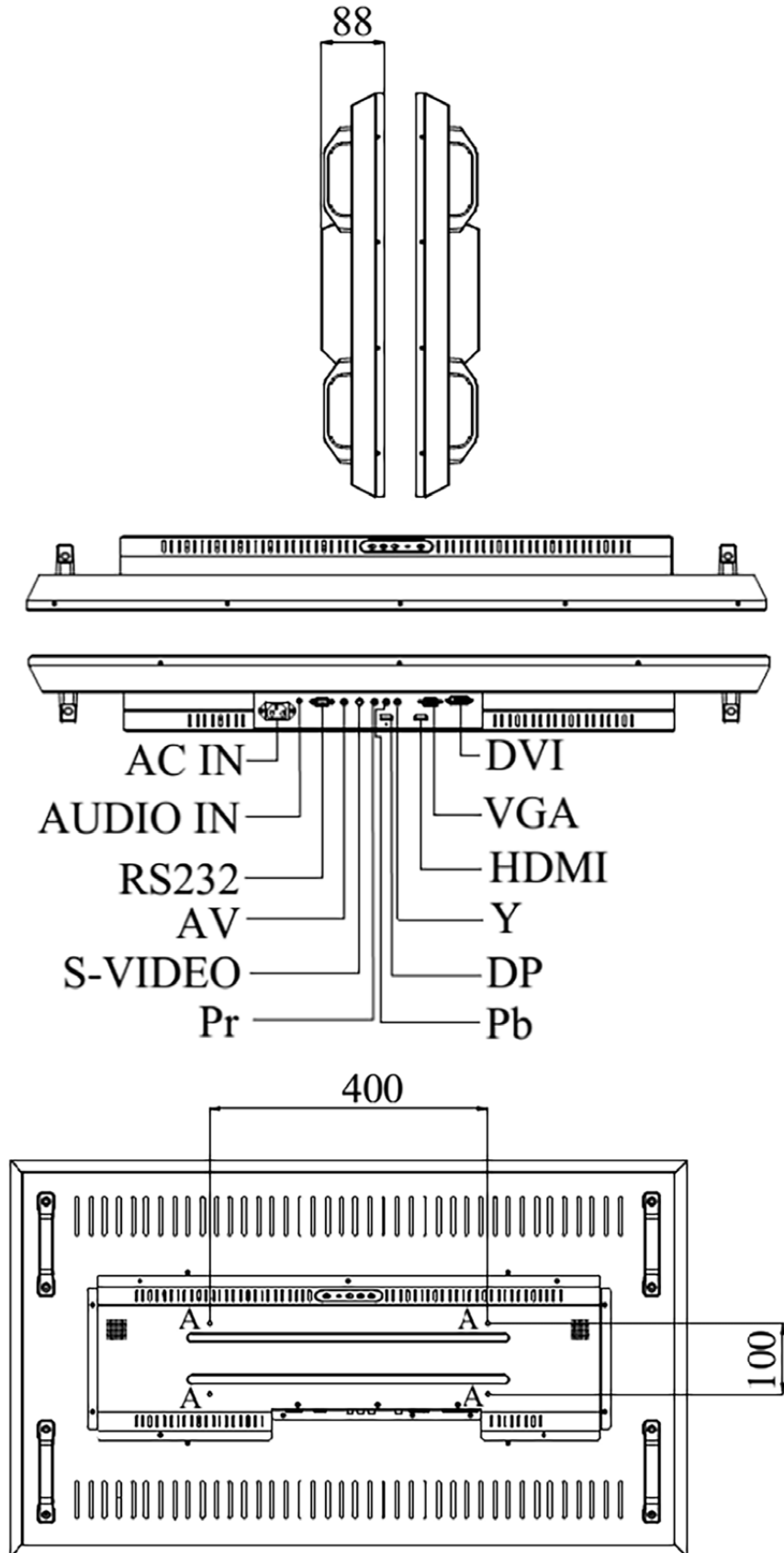
Model No.	DLD4300-L / DLO4300-L V1
Description	43" TFT LCD, LED Backlight 2500 nits, FHD (1920x1080)
Display Area (mm)	941.184(H) x 529.416(V)
Brightness	2500 cd/m ²
Resolution	1920x1080
Aspect Ratio	16 : 9
Contrast Ratio	1500 : 1
Pixel Pitch (mm)	0.4902(H) x 0.4902(V)
Pixel Per Inch (PPI)	51
Viewing Angle	178°(H),178°(V)
Color Saturation (NTSC)	80%
Display Colors	16.7M
Response Time (Typical)	12ms
Video Interface	VGA, DVI-D, HDMI, DP
Input Power	AC 100~240V
Power Consumption (SSF)	189W
Dimensions (mm)	971.6 x 559.8 x 88 & 971.6 x 600.6 x 88.5
Bezel Size(U/B/L/R)	13.2/13.2/13.3/13.3 mm
Weight (Net)	21kg & 22kg
Mounting	100 x 400
OSD Key	4 Keys (Power Switch, Menu, +, -)
OSD Control	Brightness, Color, Contrast, Auto Turing, H/V Position...etc
Operating Temperature	0 °C ~ 50 °C
Storage Temperature	-20 °C ~ 60 °C
Product Approval	CE/FCC

*Specifications are subject to change without notice. **All brands or product names are trademarks or registered trademarks of their respective companies.

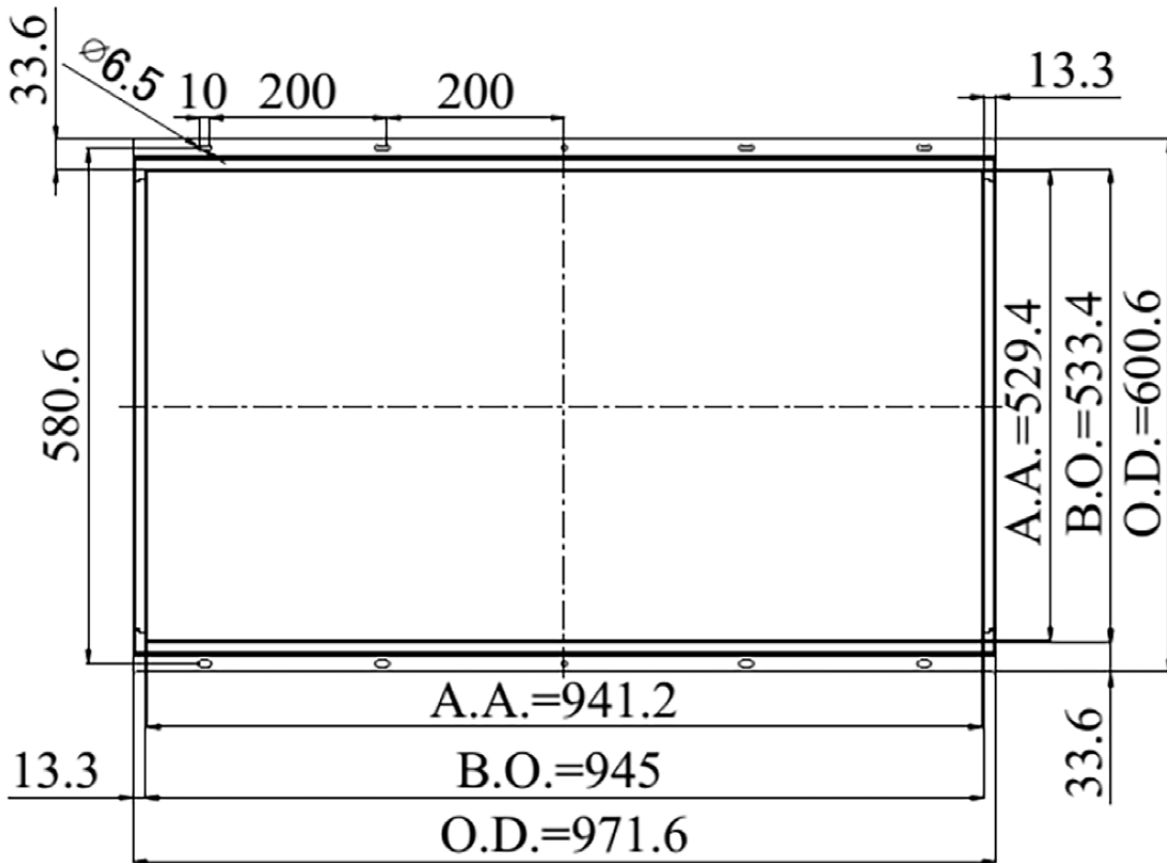
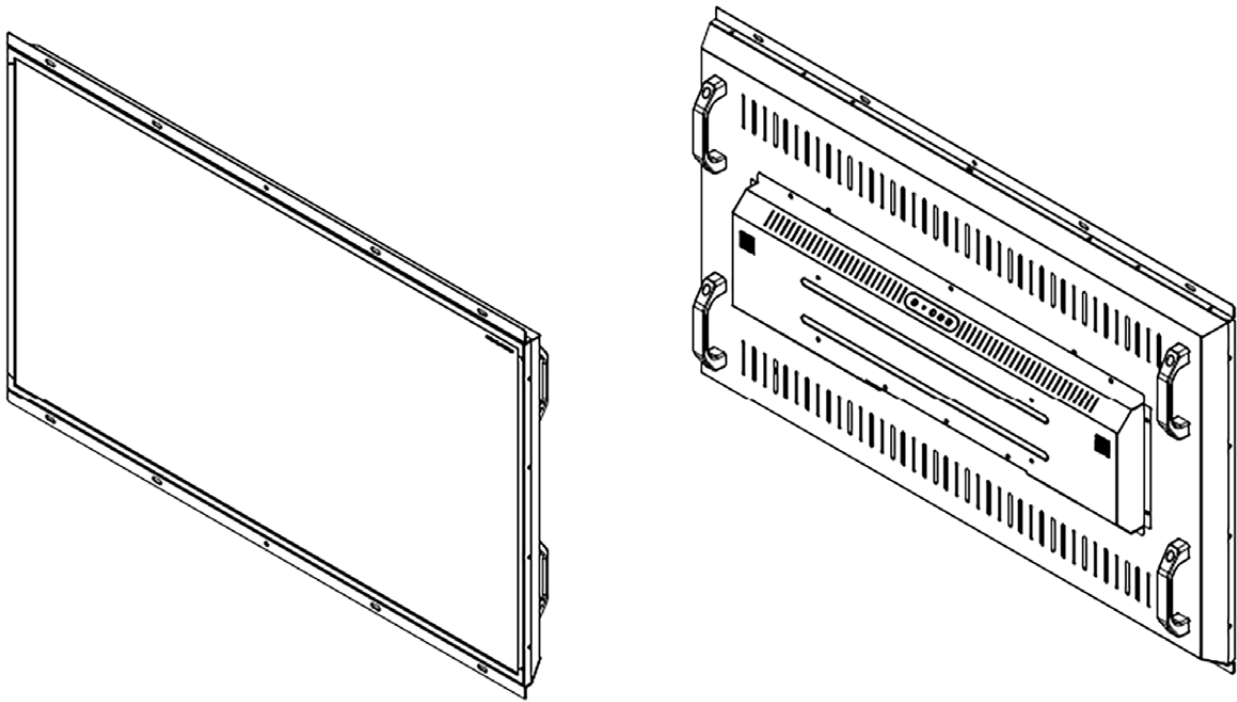
DLD/DLO = Panel+ LED Driving Board + Control Board + Housing

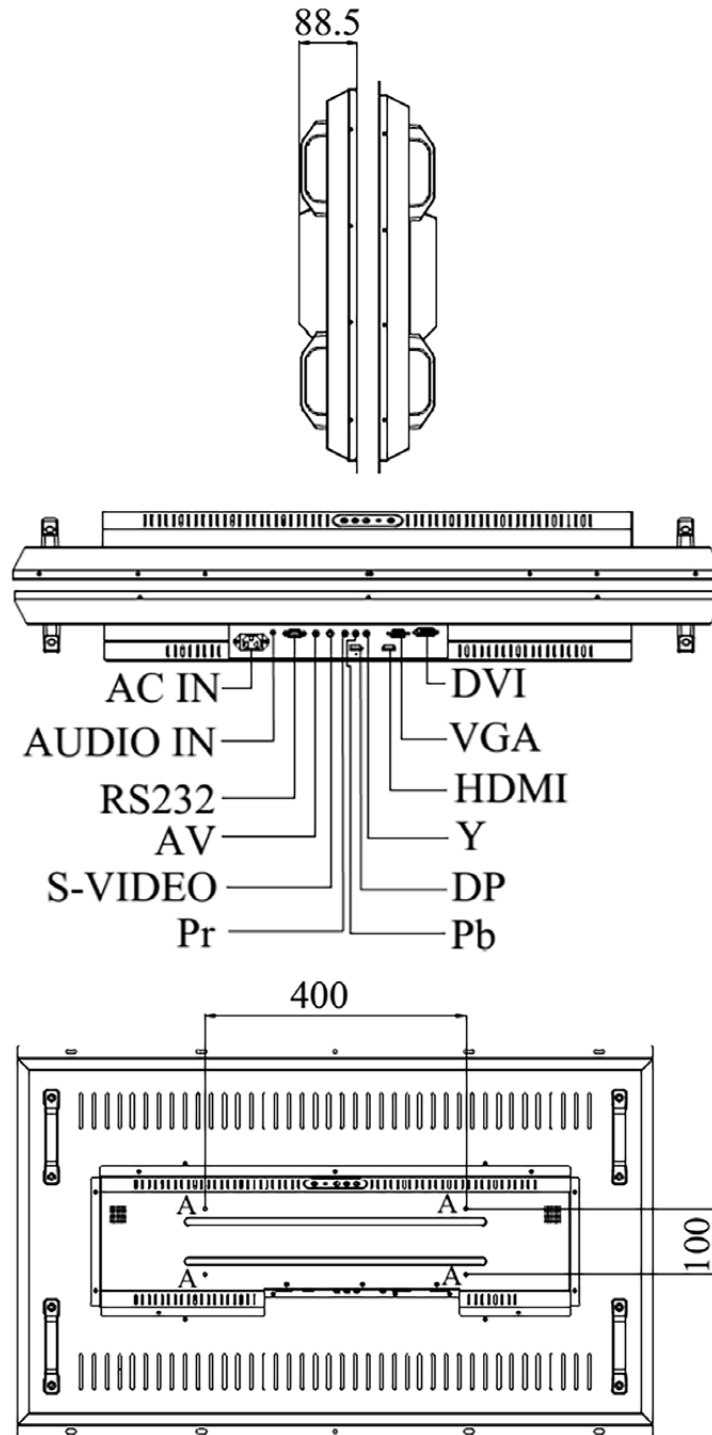
DLD4300-L





DLO4300-L





NOTE :

O.D. : OUTLINE DIMENSION

B.O. : BEZEL OPENING

A.A. : LCD ACTIVE AREA

A : 4-M6_USER HOLE_MAX. DEPTH=6 mm