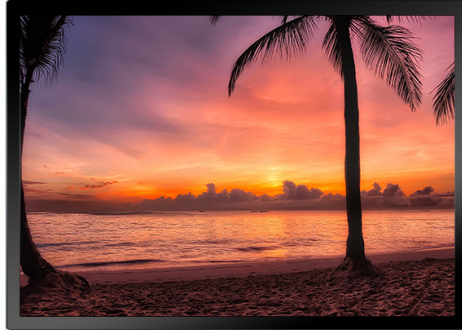


DLD5500-L V1

55" TFT LCD, 1400nits LED Backlight, MaxRGB, FHD(1920x1080)

The DLD5500-L is a 55 inch industrial grade sunlight readable LCD, with high brightness 1,400 nits and high color saturation, it produce sharp images, crisp text and lifelike colors. The Durapixel LED backlight technology ensures high reliability and low power consumption, suitable for outdoor application, kiosk, factory automation, military, transportation and gaming application.



KEY FEATURES

- High Brightness: 1400nits
- Sunlight Readable
- LED Backlight
- Low Power Consumption
- LCD Blacking Defect Free (H-Tni 110°C)
- Slim Bezel
- High Color Saturation
- BL MTBF: 100,000 hours

SPECIFICATIONS

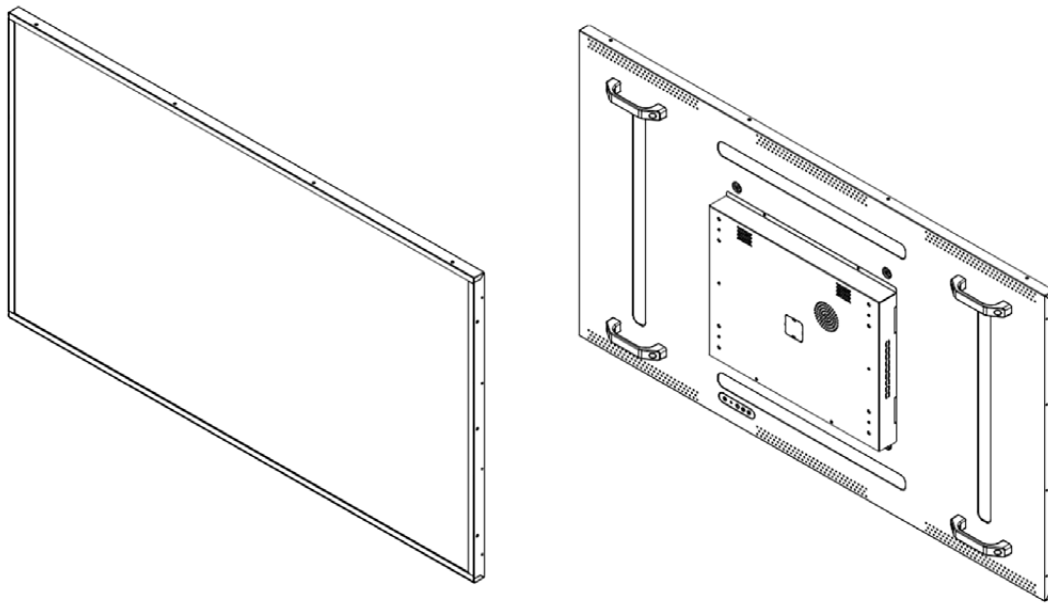
Model No.	DLD5500-L V1 MaxRGB
Description	55" TFT LCD, 1400 nits LED Backlight, MaxRGB FHD (1920x1080)
Display Area (mm)	1209.6(H) x 680.4(V)
Brightness	1400 cd/m ²
Resolution	1920 x 1080
Aspect Ratio	16 : 9
Contrast Ratio	1000 : 1
Pixel Pitch (mm)	0.63(H) x 0.63(V)
Pixel Per Inch (PPI)	40
Viewing Angle	178°(H), 178°(V)
Color Saturation (NTSC)	90%
Display Colors	16.7M
Response Time (Typical)	9ms
Panel Interface	LVDS
AD Board Input Interface	VGA,DVID,HDMI,DP,AV,S-VIDEO,YPbPr
Input Power	AC100~240V
Power Consumption	170W
Dimensions (mm)	1242.6 x 713.6 x 74.3
Bezel Size(U/B/L/R)	15.3/15.3/15.3/15.3 mm
Weight (Net)	36kg
Mounting	VESA 400X300mm,400x200mm
OSD Key	4 Keys (Power Switch, Menu, +, -)
OSD Control	Brightness, Color, Contrast, Auto Turing, H/V Position...etc
Operating Temperature	0 °C ~ 50 °C
Storage Temperature	-20 °C ~ 60 °C

*Specifications are subject to change without notice. **All brands or product names are trademarks or registered trademarks of their respective companies.

DLD/DLO = Panel+ LED Driving Board + Control Board + Housing

MECHANICAL DRAWING Unit: mm

Note:
O.D : Outline Dimension
B.O : Bezel Opening
A.A : LCD Active Area
A:8-M6 USER HOLE _MAX. DEPTH=20mm
B:8-M4 USER HOLE _MAX. DEPTH=10mm



MECHANICAL DRAWING Unit: mm

