

DLD6500-ANU V1

65" TFT LCD, LED Backlight 2000nits, UHD(3840x2160)

The DLD6500-ANU is a 65 inch industrial grade sunlight readable LCD, with high brightness 2000 nits and high color saturation, it produce sharp images, crisp text and lifelike colors. The Durapixel LED backlight technology ensures high reliability and low power consumption, suitable for outdoor application, kiosk, factory automation, military, transportation and gaming application.



KEY FEATURES

- High Brightness 2000 nits
- Sunlight Readable
- LED Backlight
- Low Power Consumption
- Slim Bezel
- BL MTBF: 100,000 hours

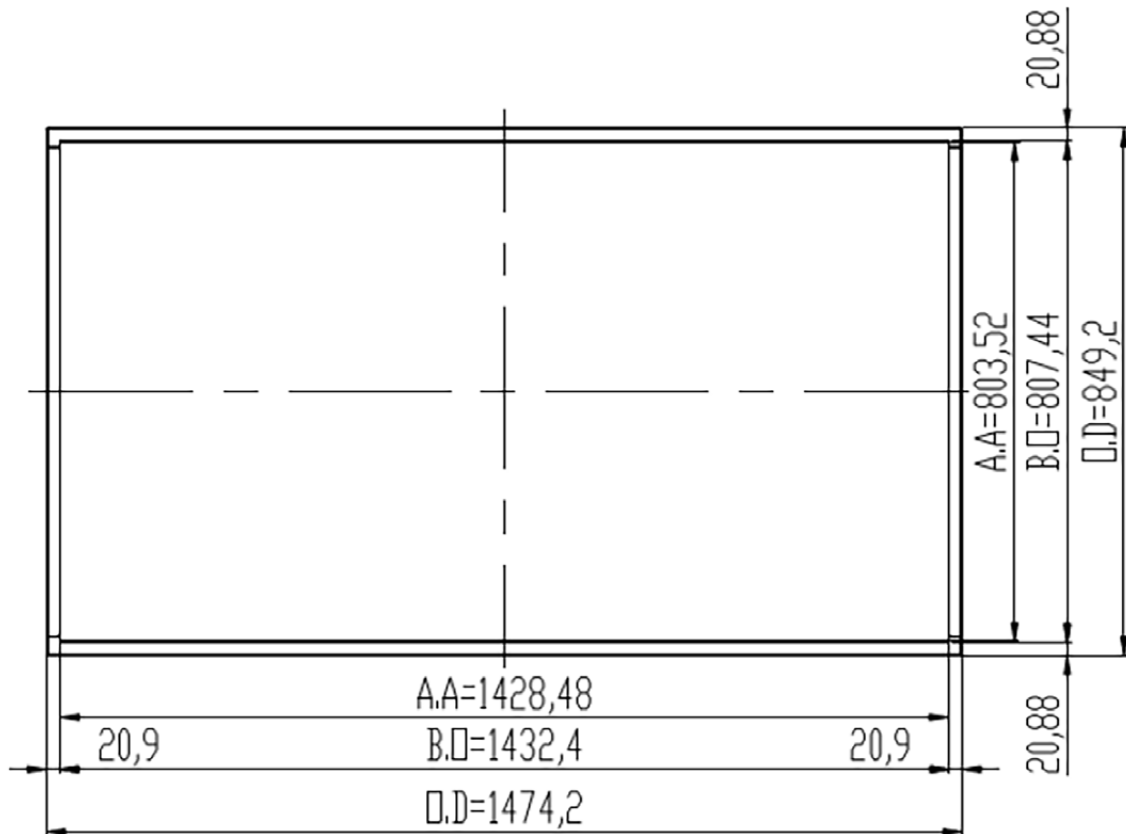
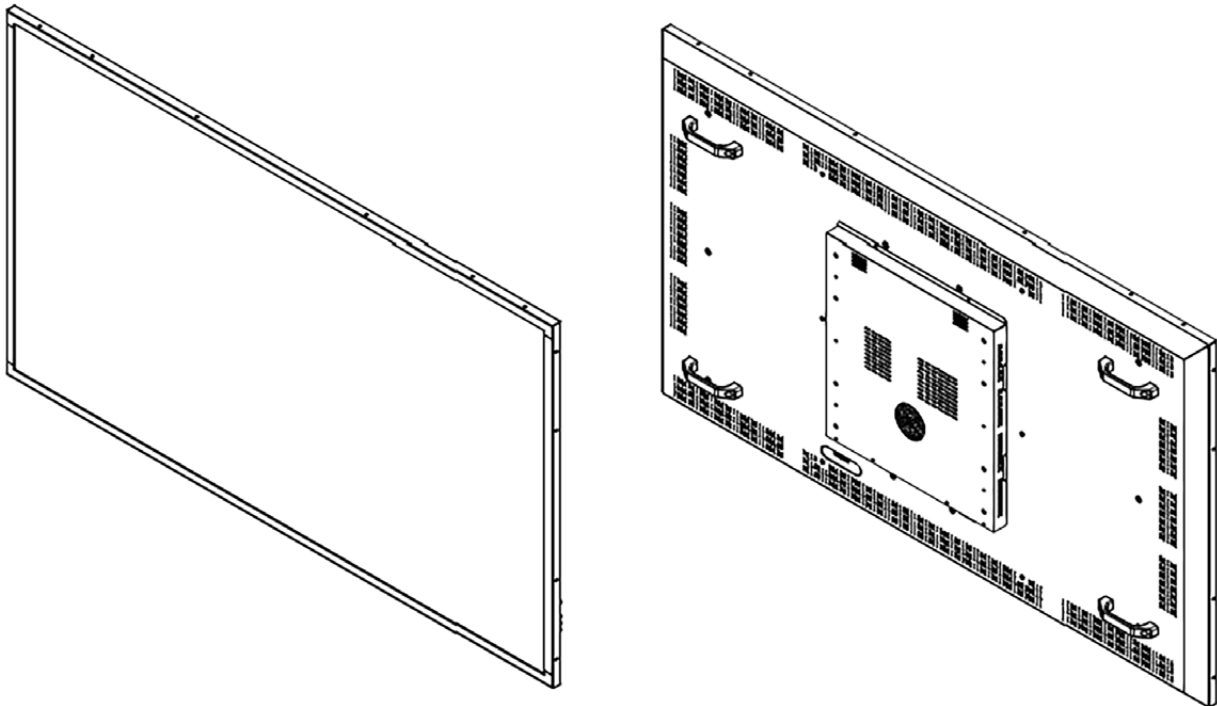
SPECIFICATIONS

Model No.	DLD6500-ANU V1
Description	65" TFT LCD, LED Backlight 2000 nits, UHD (3840x2160)
Display Area (mm)	1428.48(H) x 803.52(V)
Brightness	2000 cd/m ²
Resolution	3840x2160
Aspect Ratio	16 : 9
Contrast Ratio	6500 : 1
Pixel Pitch (mm)	0.372(H) x 0.372(V)
Pixel Per Inch (PPI)	67
Viewing Angle	178°(H),178°(V)
Color Saturation (NTSC)	79%
Display Colors	1.07G
Response Time (Typical)	8ms
Panel Interface	V-by-One
AD Board Input Interface	VGA, DVI-D, HDMI, DP
Input Power	AC100~240V
Power Consumption	366W
Dimensions (mm)	1474.2 x 849.2 x 95
Bezel Size(U/B/L/R)	20.8/20.8/20.9/20.9 mm
Weight (Net)	46kg
Mounting	400x200, 400x400
OSD Key	5 Keys (Power Switch, Menu, +, Exit, -)
OSD Control	Brightness, Color, Contrast, Auto Turing, H/V Position...etc
Operating Temperature	0 °C ~ 50 °C
Storage Temperature	-20 °C ~ 60 °C

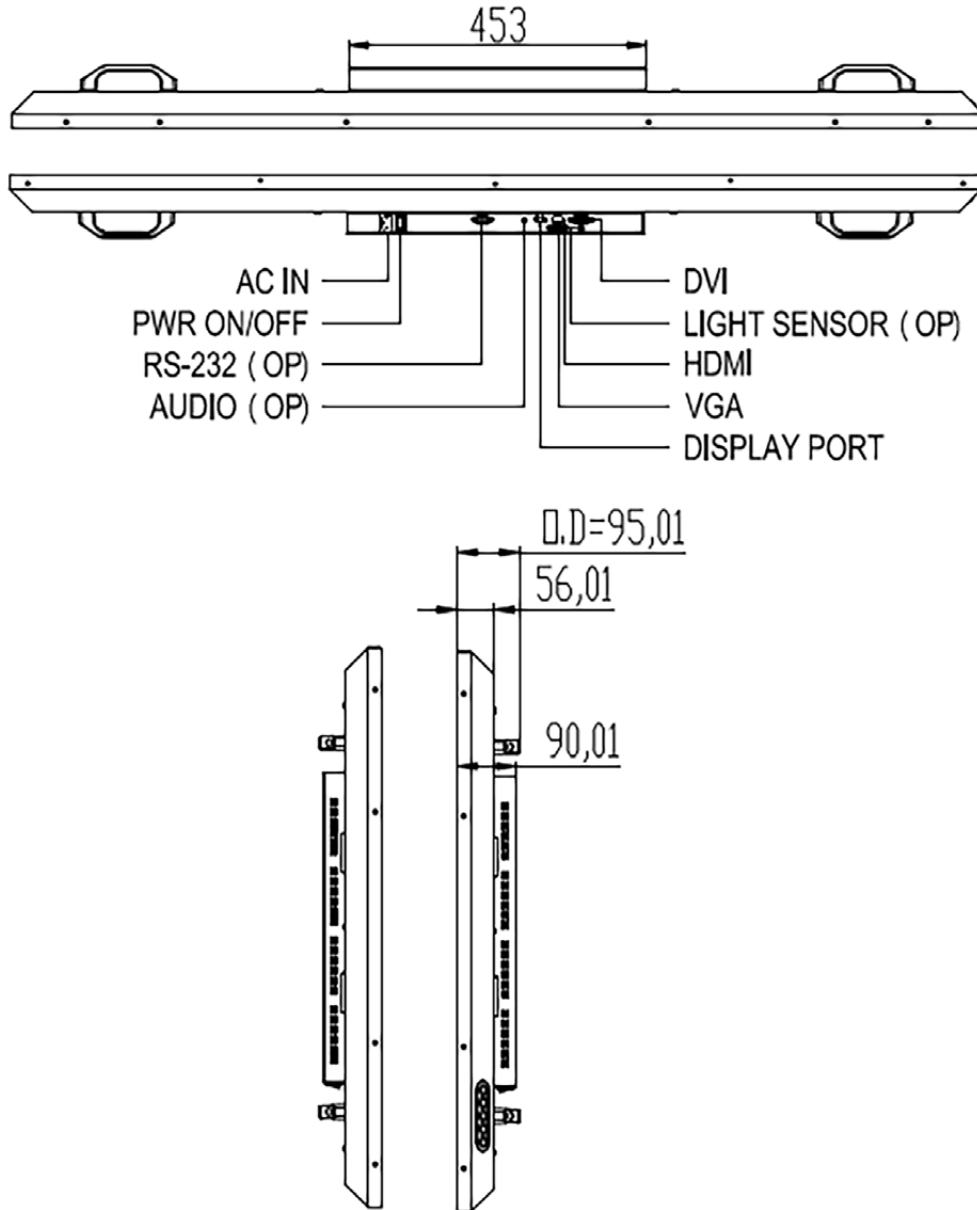
*Specifications are subject to change without notice. **All brands or product names are trademarks or registered trademarks of their respective companies.

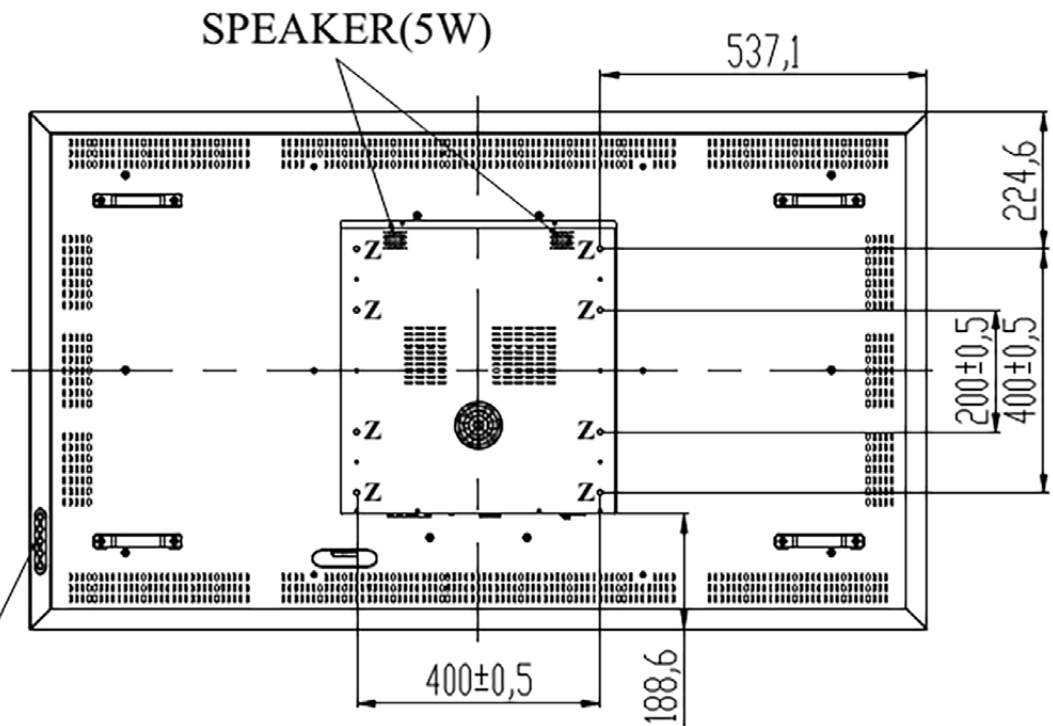
DLD/DLO = Panel+ LED Driving Board + Control Board + Housing

MECHANICAL DRAWING Unit: mm



MECHANICAL DRAWING Unit: mm





5-KEY MEMBRANE

Note:

O.D : Outline Dimension

B.O : Bezel Opening

A.A : LCD Active Area

Z:8-M8 USER HOLE _MAX. DEPTH=12mm