

DLF1095-A / DLH1095-A V3

10.4" TFT LCD, LED Backlight 1300nits, XGA

The DLF/DLH1095-A is a 10.4 inch industrial grade sunlight readable LCD, with high brightness 1300 nits and high color saturation, it produce sharp images, crisp text and lifelike colors. The Durapixel LED backlight technology ensures high reliability and low power consumption, suitable for outdoor application, kiosk, factory automation, military, transportation and gaming application.



KEY FEATURES

- High Brightness 1300 nits
- Sunlight Readable
- LED Backlight
- Low Power Consumption
- Slim Bezel
- BL MTBF: 100,000 hours

SPECIFICATIONS

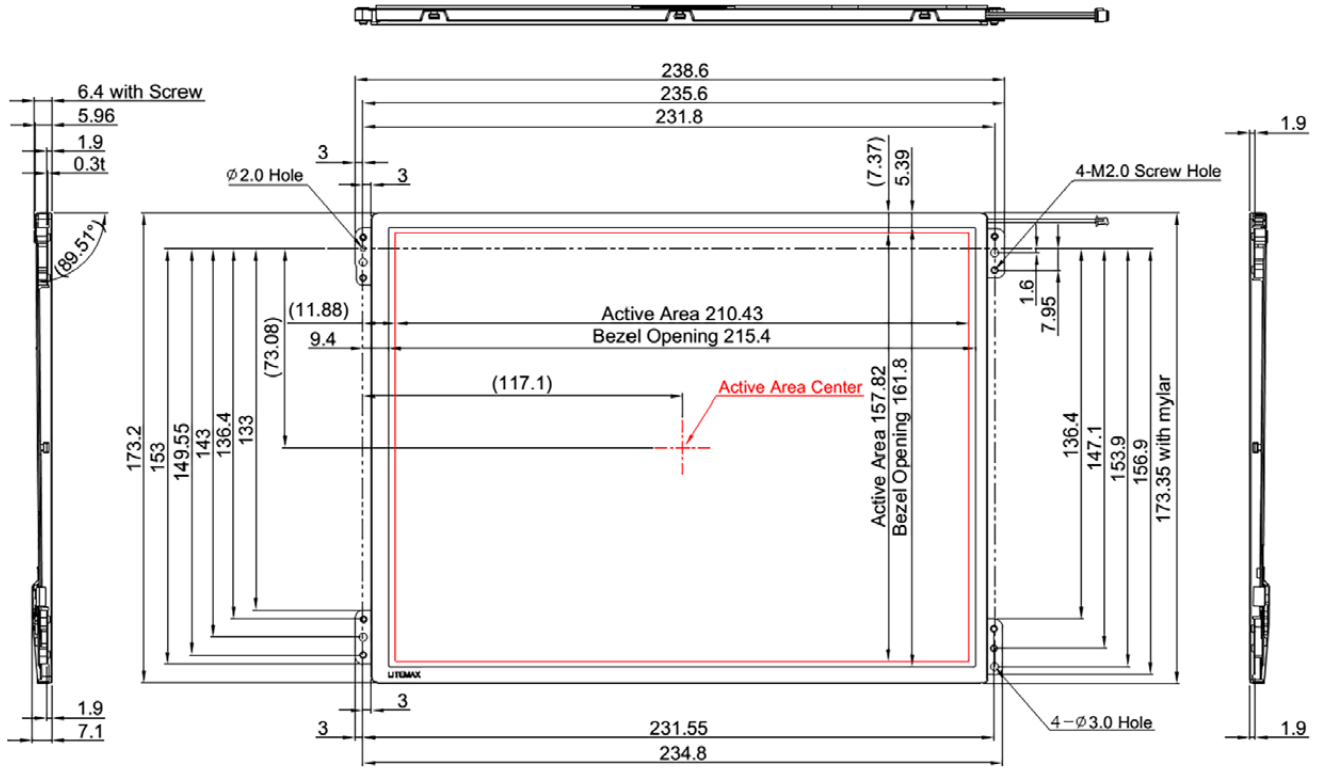
Model No.	DLF1095-A / DLH1095-A V3
Description	10.4" TFT LCD, LED Backlight 1300 nits, XGA
Display Area (mm)	210.4(H) x 157.8(V)
Brightness	1300 cd/m ²
Resolution	1024x768
Aspect Ratio	4 : 3
Contrast Ratio	2600 : 1
Pixel Pitch (mm)	0.2055(H) x 0.2055(V)
Pixel Pre Inch (PPI)	123
Viewing Angle	178°(H),178°(V)
Color Saturation (NTSC)	70%
Display Colors	16.2M
Response Time (Typical)	30ms
Panel Interface	VLVDS
AD Board Input Interface	VGA, DVI-D, HDMI
AD Board Input Power	DC12V
Power Consumption	8.4W, (11.4W with AD Board)
Dimensions (mm)	238.6 x 173.2 x 7.1
Bezel Size(U/B/L/R)	5.39/6/12.4/10.8 mm
Weight (Net)	360g
OSD Key	4 Keys (Power Switch, Menu, +, -)
OSD Control	Brightness, Color, Contrast, Auto Turing, H/V Position...etc
Operating Temperature	-20 °C ~ 70 °C
Storage Temperature	-30 °C ~ 80 °C

*Specifications are subject to change without notice. **All brands or product names are trademarks or registered trademarks of their respective companies.

DLF= Panel+ LED Driving Board

DLH= Panel+ LED Driving Board + Control Board

MECHANICAL DRAWING Unit: mm



MECHANICAL DRAWING Unit: mm

