

# DLF3200-L / DLH3200-L V1

32" TFT LCD, LED Backlight 2500nits, FHD(1920x1080)

The DLF/DLH3200-L is a 32 inch industrial grade sunlight readable LCD, with high brightness 2500 nits and high color saturation, it produce sharp images, crisp text and lifelike colors. The Durapixel LED backlight technology ensures high reliability and low power consumption, suitable for outdoor application, kiosk, factory automation, military, transportation and gaming application.



## KEY FEATURES

- High Brightness 2500 nits
- Sunlight Readable
- LED Backlight
- Low Power Consumption
- Slim Bezel
- BL MTBF: 100,000 hours

## SPECIFICATIONS

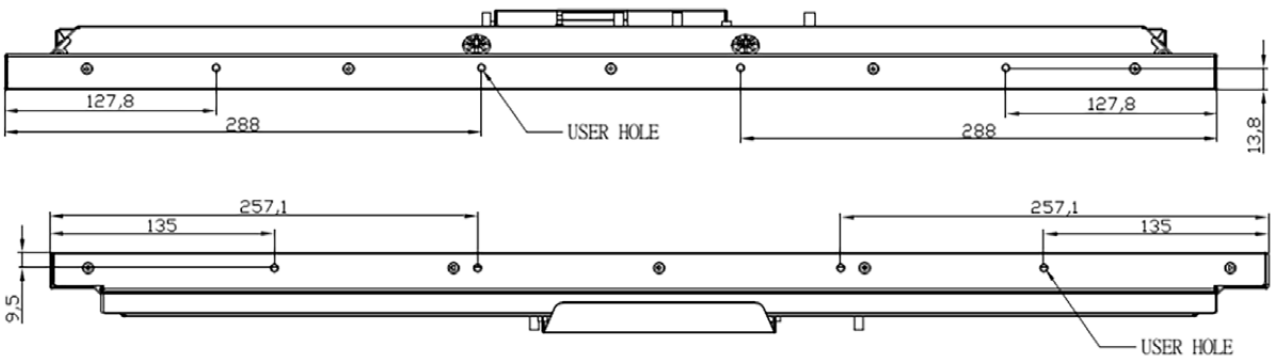
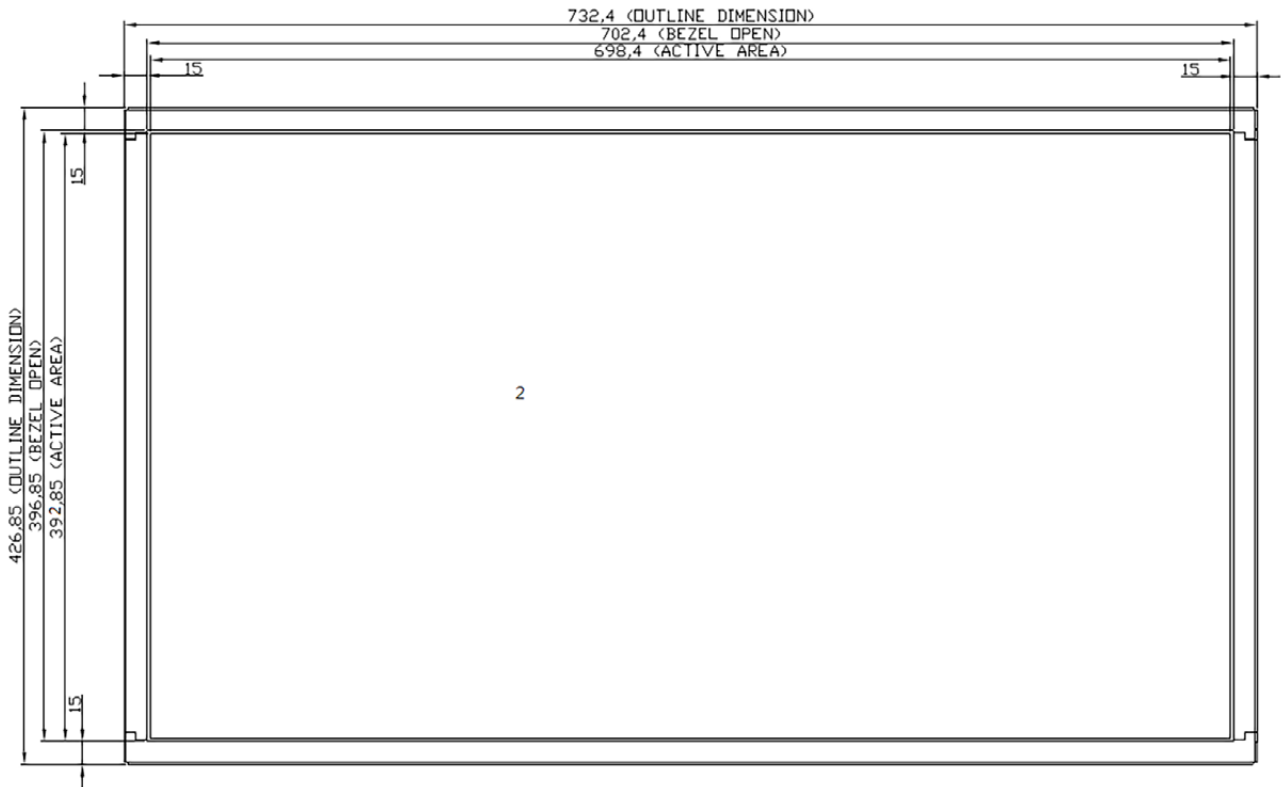
Model No.	DLF3200-L / DLH3200-L V1
Description	32" TFT LCD, LED Backlight 2500 nits, FHD (1920x1080)
Display Area (mm)	698.4(H) x 392.85(V)
Brightness	2500 cd/m <sup>2</sup>
Resolution	1920 x 1080
Aspect Ratio	16 : 9
Contrast Ratio	1100 : 1
Pixel Pitch (mm)	0.36375(H) x 0.36375(V)
Pixel Pre Inch (PPI)	68
Viewing Angle	178°(H), 178°(V)
Color Saturation (NTSC)	78%
Display Colors	16.7M
Response Time (Typical)	8ms
Video Interface	LVDS (DLF) / VGA, DVI-D, HDMI (DLH)
Power Consumption	83 W (DLF) / 112 W (DLH)
Dimensions (mm)	732.4 x 426.85 x 48.8
Bezel Size(U/B/L/R)	15/15/15/15 mm
Weight (Net)	7kg
OSD Key	4 Keys (Power Switch, Menu, +, -)
OSD Control	Brightness, Color, Contrast, Auto Turing, H/V Position...etc
Operating Temperature	0 °C ~ 50 °C
Storage Temperature	-20 °C ~ 60 °C

\*Specifications are subject to change without notice. \*\*All brands or product names are trademarks or registered trademarks of their respective companies.

DLF= Panel+ LED Driving Board

DLH= Panel+ LED Driving Board + Control Board

MECHANICAL DRAWING Unit: mm



MECHANICAL DRAWING Unit: mm

