

DLF3205-INK / DLH3205-INK V1 MaxRGB



32" TFT LCD, LED Backlight 800nits,MaxRGB UHD(3840x2160)

The DLF/DLH3205-INK is a 32 inch industrial grade sunlight readable and HCS (High Color Saturation) LCD, with high brightness 800 nits and high color saturation, it produce sharp images, crisp text and lifelike colors. The Durapixel LED backlight technology ensures high reliability and low power consumption, suitable for outdoor application, kiosk, factory automation, military, transportation and gaming application.



KEY FEATURES

- High Brightness 800 nits
- Sunlight Readable
- LED Backlight
- Low Power Consumption
- High Color Saturation
- BL MTBF: 100,000 hours

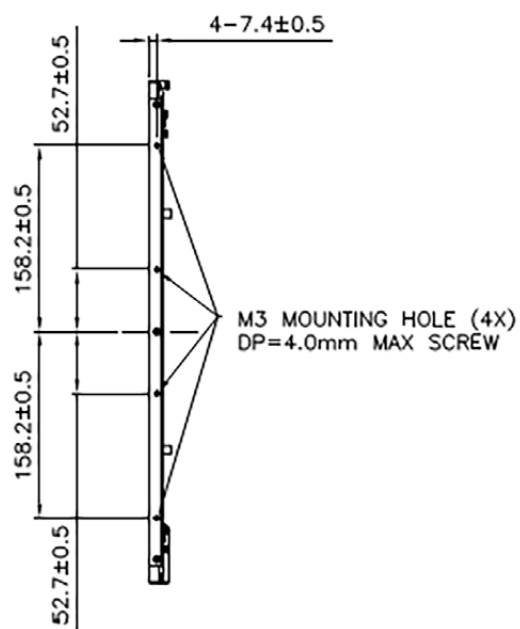
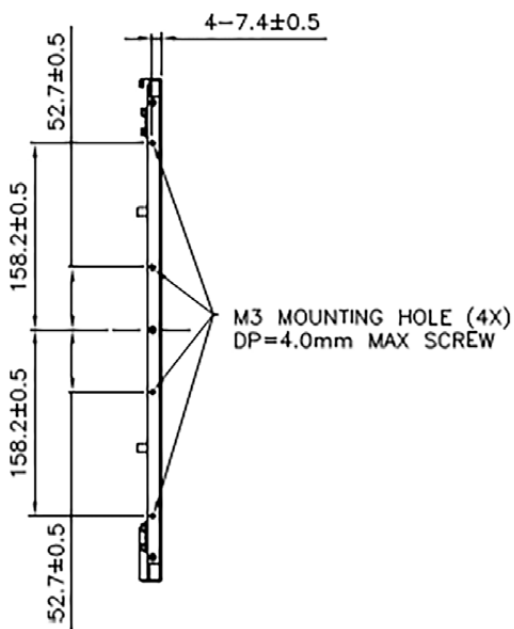
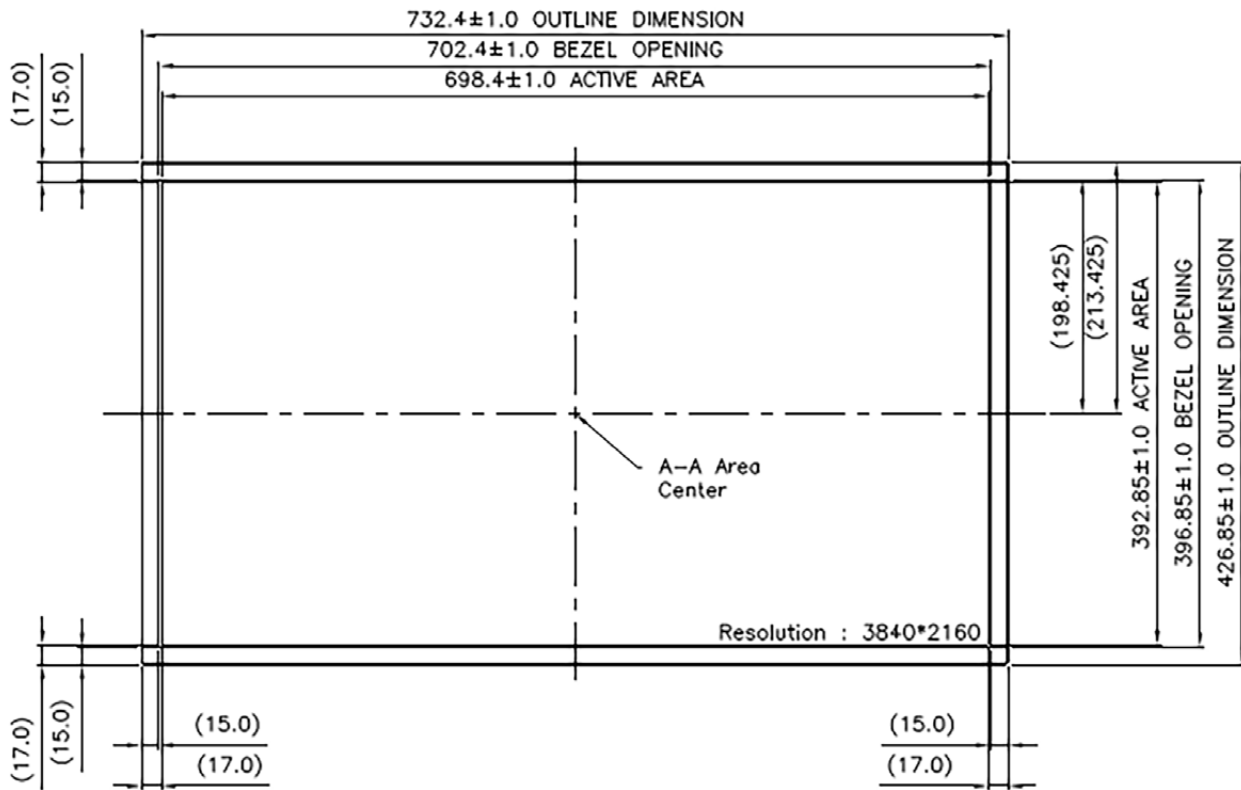
SPECIFICATIONS

Model No.	DLF3205-INK / DLH3205-INK V1 MaxRGB
Description	32" TFT LCD, LED Backlight 800 nits,MaxRGB UHD (3840x2160)
Display Area (mm)	698.4(H) x 392.85(V)
Brightness	800 cd/m ²
Resolution	3840x2160
Aspect Ratio	16 : 9
Contrast Ratio	4500 : 1
Pixel Pitch (mm)	0.181(H) x 0.181(V)
Pixel Pre Inch (PPI)	137
Viewing Angle	178°(H), 178°(V)
Color Saturation (NTSC)	97%
Display Colors	1.07G
Response Time (Typical)	9.5ms
Panel Interface	V-by-One
AD Board Input Interface	VGA, DVI-D, HDMI, DP
AD Board Input Power	DC12V (DC24V optional)
Power Consumption	96W, (101W with AD Board)
Dimensions (mm)	732.4 x 426.85 x 19.9
Bezel Size(U/B/L/R)	15/15/15/15 mm
Weight (Net)	5.8kg
OSD Key	5 Keys (Power Switch, Menu, +, Exit, -)
OSD Control	Brightness, Color, Contrast, Auto Turing, H/V Position...etc
Operating Temperature	0 °C ~ 50 °C
Storage Temperature	-20 °C ~ 60 °C

*Specifications are subject to change without notice. **All brands or product names are trademarks or registered trademarks of their respective companies.

DLF= Panel+ LED Driving Board

DLH= Panel+ LED Driving Board + Control Board



MECHANICAL DRAWING Unit: mm

