

DLF5500-L / DLH5500-L V1

55" TFT LCD, LED Backlight 2500nits, FHD (1920x1080)

The DLF/DLH5500-L is a 55 inch industrial grade sunlight readable LCD, with high brightness 2,500 nits and high color saturation, it produce sharp images, crisp text and lifelike colors. The Durapixel LED backlight technology ensures high reliability and low power consumption, suitable for outdoor application, kiosk, factory automation, military, transportation and gaming application.



KEY FEATURES

- High Brightness: 2500nits
- Sunlight Readable
- LED Backlight
- Low Power Consumption
- LCD Blacking Defect Free (H-Tni 1100)
- Slim Bezel
- BL MTBF: 100,000 hours

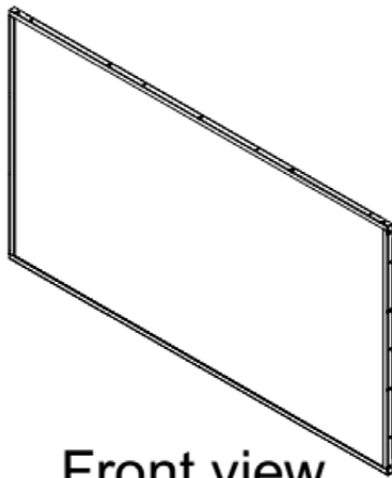
SPECIFICATIONS

Model No.	DLF5500-L / DLH5500-L V1
Description	55" TFT LCD, LED Backlight 2500 nits, FHD (1920x1080)
Display Area (mm)	1209.6(H) x 680.4(V)
Brightness	2500 cd/m ²
Resolution	1920x1080
Aspect Ratio	16 : 9
Contrast Ratio	1000 : 1
Pixel Pitch (mm)	0.63(H) x 0.63(V)
Pixel Pre Inch (PPI)	40
Viewing Angle	178°(H), 178°(V)
Color Saturation (NTSC)	75%
Display Colors	16.7M
Response Time (Typical)	9ms
Video Interface	LVDS (DLF) / VGA, DVI-D, HDMI, DP (DLH)
Power Consumption	140.6W (DLF) / 145.6W (DLH)
Dimensions (mm)	1240 x 711 x 22.5
Bezel Size(U/B/L/R)	14/14/14/14 mm
Weight (Net)	23.5kg
OSD Key	4 Keys (Power Switch, Menu, +, -)
OSD Control	Brightness, Color, Contrast, Auto Turing, H/V Position...etc
Operating Temperature	0 °C ~ 50 °C
Storage Temperature	-20 °C ~ 60 °C

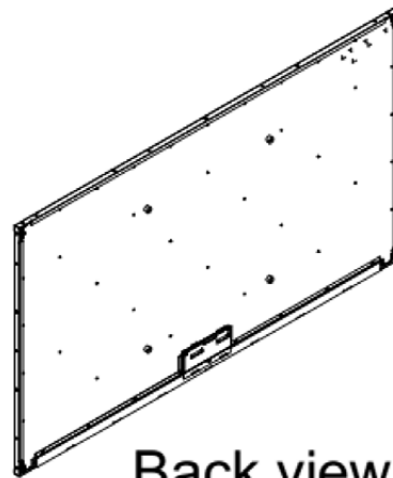
*Specifications are subject to change without notice. **All brands or product names are trademarks or registered trademarks of their respective companies.

DLF= Panel+ LED Driving Board

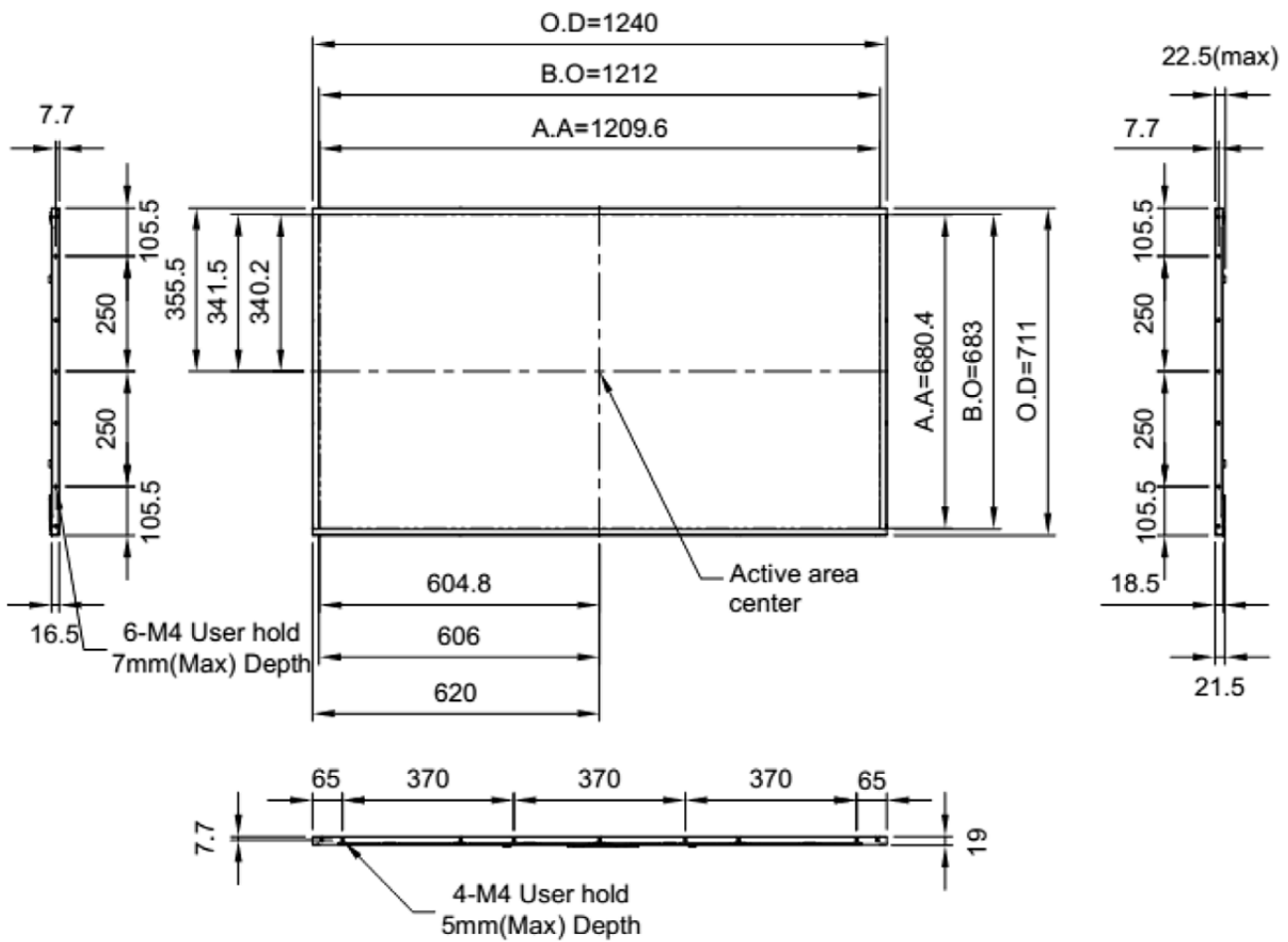
DLH= Panel+ LED Driving Board + Control Board

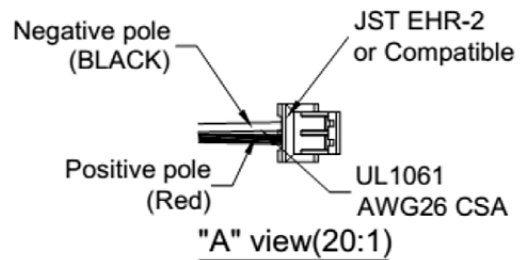
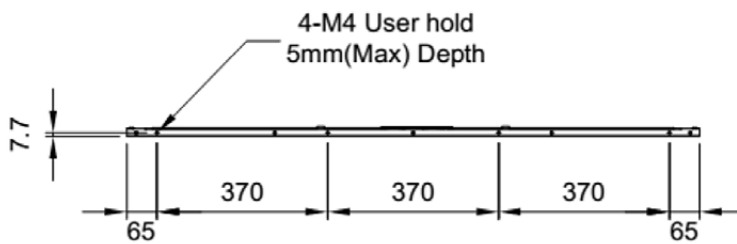
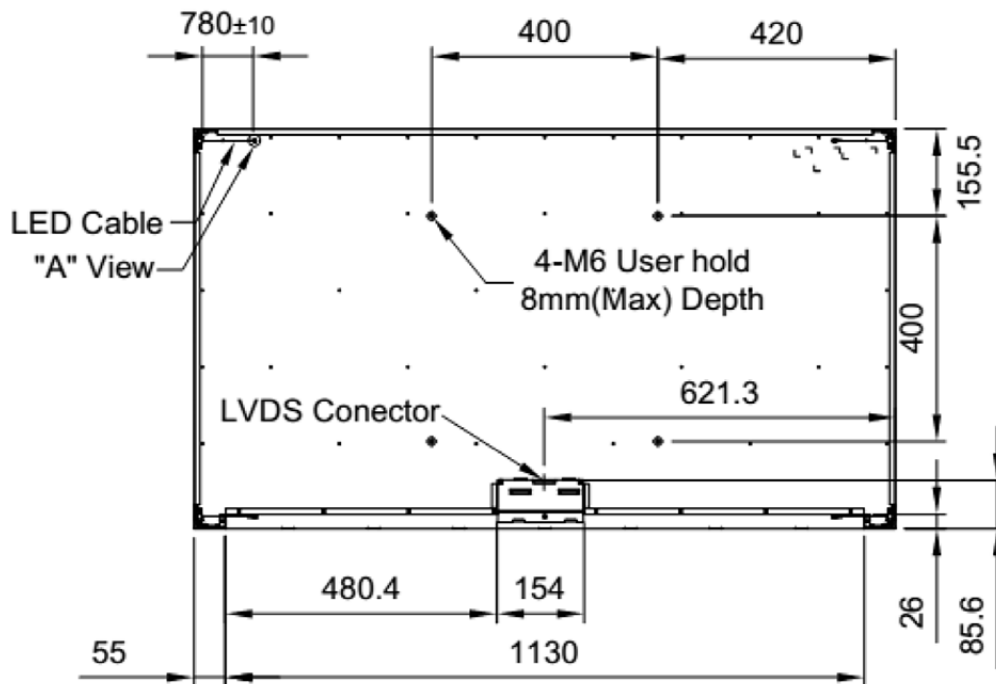


Front view



Back view





Note :
 O.D : Outline Dimension
 B.O : Bezel Opening
 A.A : LCD Active Area
 LVDS Conector: JAE FI-RXE51S-HF or equivalent