

DLO2435-A V1 MaxRGB

24" TFT LCD, LED Backlight 800nits, MaxRGB, FHD (1920x1080)

The DLO2435-A is a 24 inch industrial grade sunlight readable LCD, with high brightness 800 nits and HCS (High Color Saturation) LCD, it produce sharp images, crisp text and true colors. The Durapixel LED backlight technology ensures high reliability and low power consumption, suitable for outdoor application, kiosk, factory automation, military, transportation and gaming application.



KEY FEATURES

- High Brightness 800 nits
- Sunlight Readable
- LED Backlight
- Low Power Consumption
- Slim Bezel
- High Color Saturation
- BL MTBF: 100,000 hours

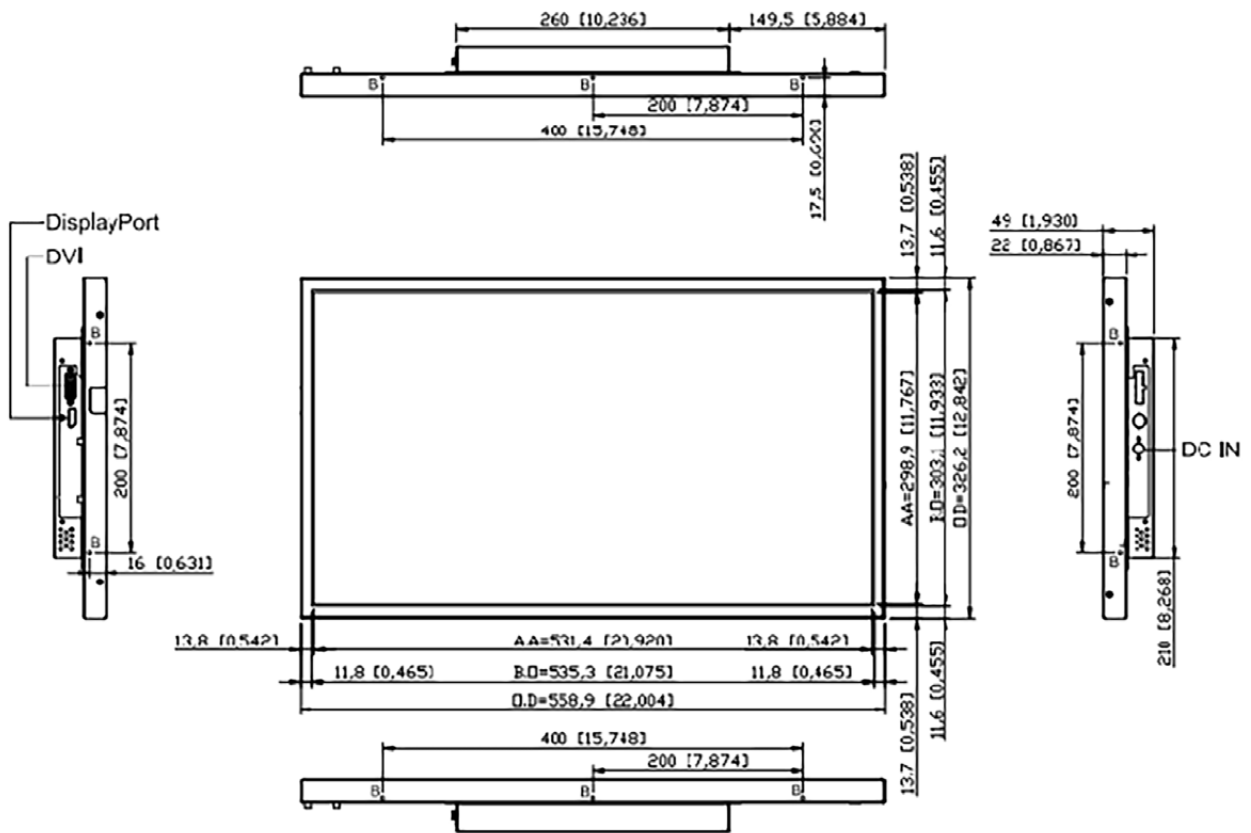
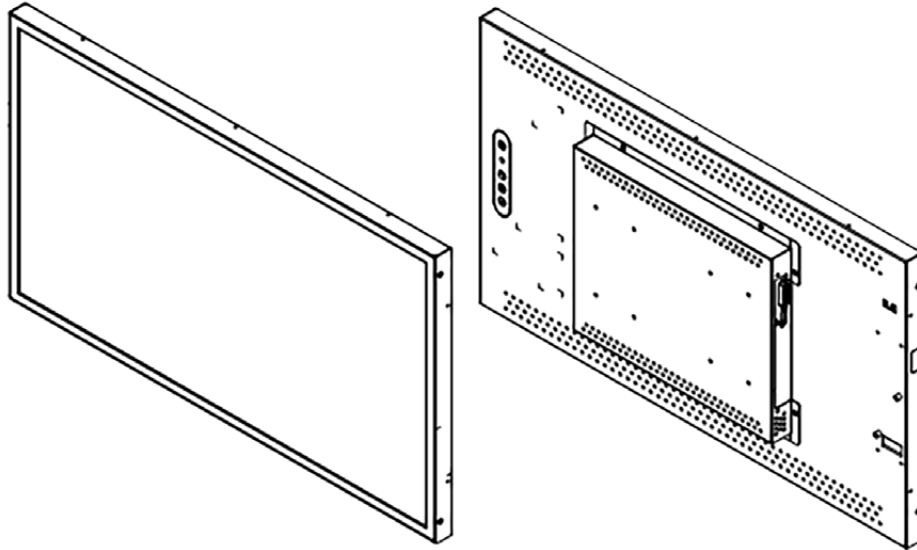
SPECIFICATIONS

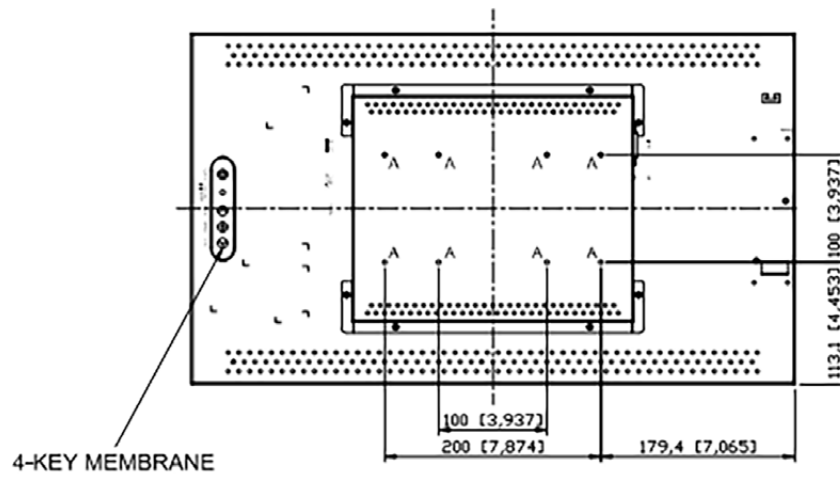
Model No.	DLO2435-A V1 MaxRGB
Description	24" TFT LCD, LED Backlight 800 nits,MaxRGB, FHD (1920x1080)
Display Area (mm)	531.36(H) x 298.89(V)
Brightness	800 cd/m ²
Resolution	1920 x 1080
Aspect Ratio	16 : 9
Contrast Ratio	3000 : 1
Pixel Pitch (mm)	0.276(H) x 0.276(V)
Pixel Pre Inch (PPI)	92
Viewing Angle	178°(H), 178°(V)
Color Saturation (NTSC)	94%
Display Colors	16.7M
Response Time (Typical)	12ms
Video Interface	DVI-I , DP
Input Power	DC12V
Power Consumption	69W
Dimensions (mm)	558.9 x 326.2 x 49
Bezel Size(U/B/L/R)	11.6/11.6/11.8/11.8
Weight (Net)	5.5kg
Mounting	100x100, 200x100
OSD Key	4 Keys (Power Switch, Menu, +, -)
OSD Control	Brightness, Color, Contrast, Auto Turing, H/V Position...etc
Operating Temperature	0 °C ~ 50 °C
Storage Temperature	-20 °C ~ 60 °C
Product Approval	CE,FCC

*Specifications are subject to change without notice. **All brands or product names are trademarks or registered trademarks of their respective companies.

DLD/DLO = Panel+ LED Driving Board + Control Board + Housing

MECHANICAL DRAWING Unit: mm





Note

O.D : Outline Dimension

B.O : Bezel Opening

A.A : LCD Active Area

A:8-M4_USER_HOLE_MAX_DEPTH=6mm

B:10-M3_USER_HOLE_MAX_DEPTH=6mm