

SLD1268-T / SLO1268-T V1 MaxRGB



12.1" TFT LCD, LED Backlight 1600nits, MaxRGB, 1024x768

The SLD/SLO1268-T is a 12.1 inch industrial grade sunlight readable and HCS (High Color Saturation) LCD, with high brightness 1,600 nits and high color saturation, it produce sharp images, crisp text and true colors. The Durapixel LED backlight technology ensures high reliability and low power consumption, suitable for outdoor application, kiosk, factory automation, military, transportation and gaming application.



KEY FEATURES

- High Brightness 1600 nits
- Sunlight Readable
- LED Backlight
- Low Power Consumption
- Wide Operation Temperature
- High Color Saturation
- BL MTBF: 100,000 hours

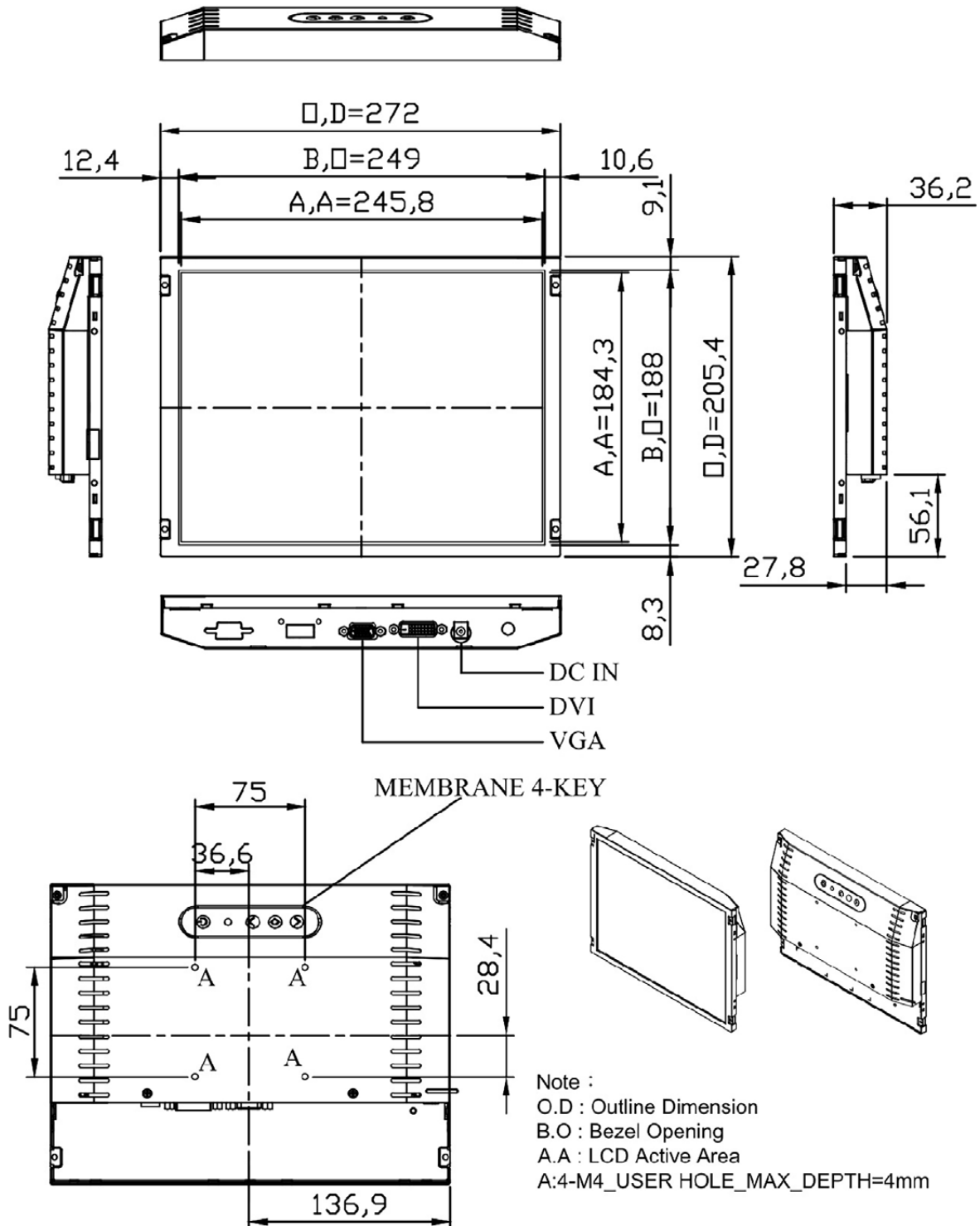
SPECIFICATIONS

Model No.	SLD1268-T / SLO1268-T V1 MaxRGB
Description	12.1" TFT LCD Monitor, LED Backlight 1,600nits, MaxRGB, 1024x768
Display Area (mm)	245.8(H) x 184.3(V) mm
Brightness	1600 cd/m ²
Resolution	1024 x 768
Aspect Ratio	4 : 3
Contrast Ratio	1000 : 1
Pixel Pitch (mm)	0.24(H) x 0.24(V)
Pixel Pre Inch (PPI)	106
Viewing Angle	160°(H), 160°(V)
Color Saturation (NTSC)	86%
Display Colors	16.2M
Response Time (Typical)	8 ms
Video Interface	VGA,DVI-D
Input Power	DC12V
Power Consumption	16.7W
Dimensions (mm)	(SLD)272x205.4x36.2 mm , (SLO)294x205.4x36.7 mm
Bezel Size(U/B/L/R)	9.1/8.3/12.4/10.6 mm
Weight (Net)	(SLD)1.0kg , (SLO)1.25 kg
Mounting	VESA 75x75 mm
OSD Key	4 Keys (Power Switch, Menu, +, -)
OSD Control	Brightness, Color, Contrast, Auto Turing, H/V Position...etc
Operating Temperature	-20 °C ~ 70 °C
Storage Temperature	-30 °C ~ 80 °C
Product Approval	CE,FCC

*Specifications are subject to change without notice. **All brands or product names are trademarks or registered trademarks of their respective companies.

SLD/SLO = Panel+ LED Driving Board + Control Board + Housing

SLD1268-T:



SLO1268-T:

