

SLD1968 V1

19" TFT LCD Display, LED Backlight, 1600nits, SXGA(1280x1024)

19" TFT LCD panel, built-in 1600 nits high bright for sunlight readable LCD display, high transmittance color filter, high transmission polarizing plates, Low Power Consumption, suitable for kiosk, advertising, POS, marline, transportation, gaming, studio display, gas pump.



KEY FEATURES

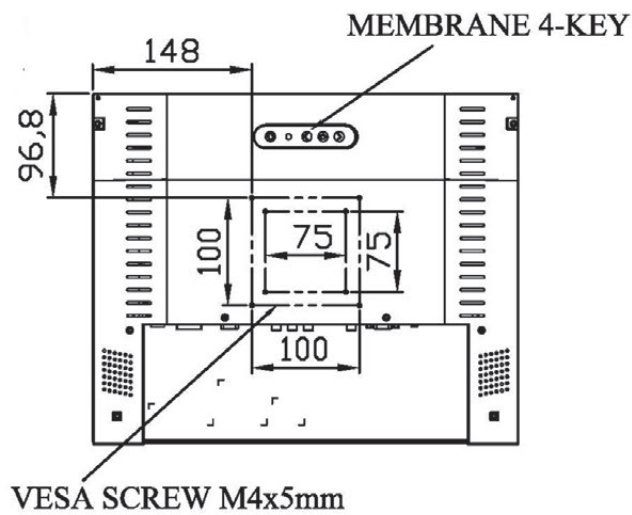
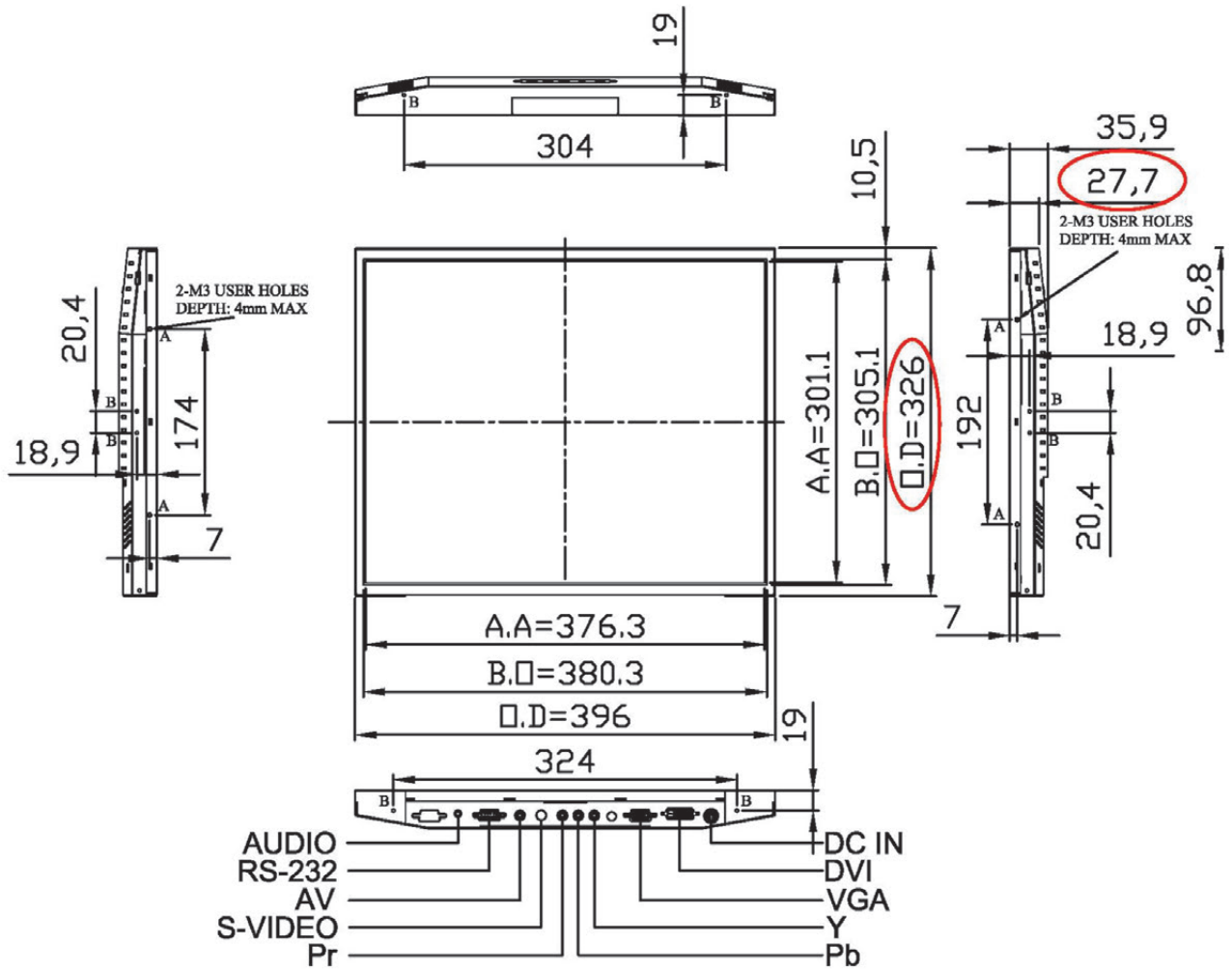
- Sunlight Readable
- LED Backlight
- SXGA(1280x1024) High Definition
- High Shock & Vibration Resistance
- Smart Panel design.
- High Uniformity
- Low EMI Noise
- Wide Dimming
- Life Expectancy

SPECIFICATIONS

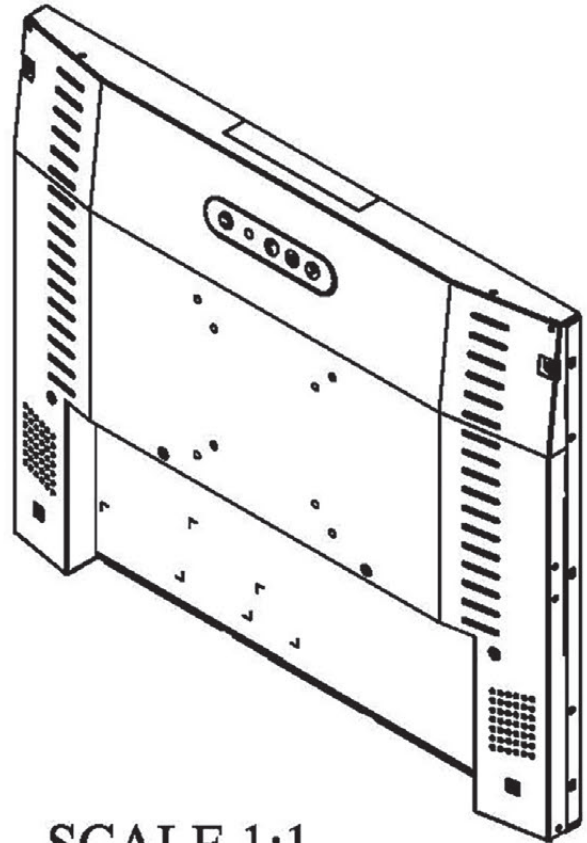
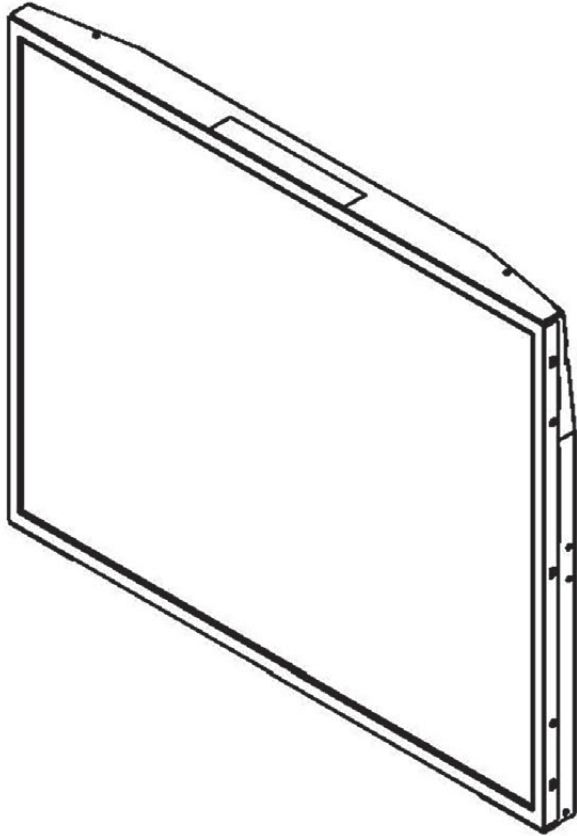
Model No.	SLD1968 V1
Description	19" TFT LCD Display, LED Backlight, 1600nits, SXGA(1280x1024)
Display Area (mm)	376.3(H) x 301 mm
Brightness	1600 cd/m ²
Resolution	1280x1024 (SXGA)
Contrast Ratio	1000 : 1
Pixel Pitch (mm)	0.294(H) x 0.294(V)
Viewing Angle	+85°~-85°(H), +80°~-80°(V)
Display Colors	16.7M
Response Time (Typical)	5ms
Sync	LVDS
Power Consumption	31W
Dimensions (mm)	396x326x35.9mm
Weight (Net)	2.7kg
LED Driving Board	LID19A09
Control Board (Optional)	<input type="checkbox"/> AD5621GA <input type="checkbox"/> AD5621GD <input type="checkbox"/> AD2662GDVAR <input type="checkbox"/> AD2662GDHMVAR
<input type="checkbox"/> AD6038GA	VGA+Audio
<input type="checkbox"/> AD6038GD	VGA+DVI
<input type="checkbox"/> AD2662GDVAR	VGA+DVI (Optional S□Video/ Component / Audio)
<input type="checkbox"/> AD2662GDHMVAR	VGA (Optional DVI□□ / HDMI / S□Video/ Component / Audio)
F / R Control Button	<input type="checkbox"/> 4 Key <input type="checkbox"/> 5 Key
<input type="checkbox"/> 4 Key	Power Switch, Menu, Select (+,-),
<input type="checkbox"/> 5 Key	Power Switch, Menu, Select (+,-), Auto
OSD Menu	Brightness, Contrast, H/V Position, Color, Phase, Clock...
Optional	<input type="checkbox"/> AOT <input type="checkbox"/> Touch Screen

*Specifications are subject to change without notice. **All brands or product names are trademarks or registered trademarks of their respective companies.

SLD/SLO = Panel+ LED Driving Board + Control Board + Housing



MECHANICAL DRAWING Unit: mm



SCALE 1:1