

# SSD2125-A

21.28" Resizing LCD, Brightness 1000 nits, LED backlight,  
1920x316 ultra wide aspect ratio 16:2.6

SSD2125-A is an innovative ultra-wide, LED backlight LCD display. It provides LCD panel with specific ratios for digital signage, public transportation, exhibition hall, department store, vending machine and industrial applications.



## KEY FEATURES

- Resizing LCD
- Ultra Wide Screen (16 : 2.6)
- LED Backlight
- Brightness 1000nits
- Low Power Consumption
- High Uniformity
- Wide Dimming
- Life Expectancy 100,000 hours

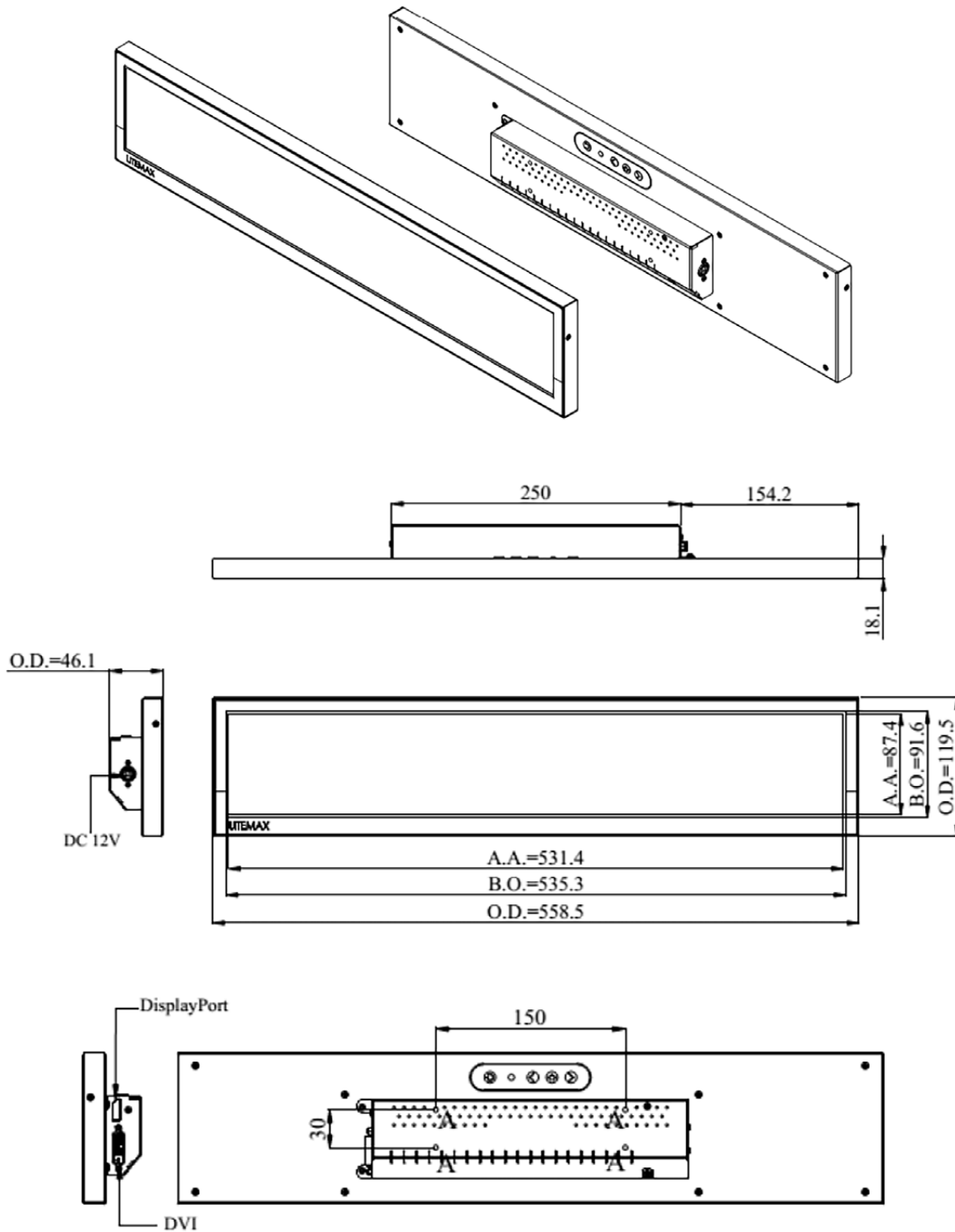
## SPECIFICATIONS

Model No.	SSD2125-A
Description	21.28" Resizing LCD Module, 1000nits, LED backlight, 1920x316
Display Area (mm)	531.36x87.4 mm
Brightness	1000nits
Resolution	1920 x 316
Aspect Ratio	16 : 2.6
Contrast Ratio	1000:1
Pixel Pitch (mm)	0.276 x 0.276
Pixel Pre Inch (PPI)	91
Viewing Angle	170°(H), 160°(V)
Color Saturation (NTSC)	77%
Display Colors	16.7M
Response Time (Typical)	5 ms
Operating Temperature	0°C~50°C
Storage Temperature	-20°C~ 60°C
Power Consumption	20W
Dimensions (mm)	558.5x119.5x46.1mm
Weight (Net)	2.1kg
LED Driving Board	on AD board
Control Board (Optional)	<input type="checkbox"/> AD6038GDP
	<input type="checkbox"/> AD6038GDP VGA+DVI (Optional S-Video/ Component / Audio)
F/R Control Button	<input type="checkbox"/> 4 Key
	<input type="checkbox"/> 4 Key Power Switch, Menu, Select (+,-),
OSD Menu	Brightness, Contrast, H/V Position, Color, Phase, Clock...
Optional	<input type="checkbox"/> AOT <input type="checkbox"/> Touch Screen

\*Specifications are subject to change without notice. All brands or product names are trademarks or registered trademarks of their respective companies.

SSD= Panel+ LED Driving Board + Control Board + Housing

MECHANICAL DRAWING Unit: mm



NOTE :  
 O.D. : OUTLINE DIMENSION  
 B.O. : BEZEL OPENING  
 A.A. : LCD ACTIVE AREA

A : 4-M4 USER HOLE MAX. DEPTH=5 mm