

SSD2755-A V1

27.5" Resizing USB 3.0 Display, 200 nits LED backlight, 1366 x 70 ultra-wide aspect ratio 16:1

The SSD2755-A is a 27.5 inch color TFT-LCD display with special aspect ratio 16:1 and wide resolution 1366 x 70. It is Litemax's Spanpixel series product which designed for high brightness 200 nits with power efficiency LED backlight. It provides LCD panel with specific aspect ratios and sunlight readable for digital signage, public transportation, exhibition hall, department store, and vending machine.



KEY FEATURES

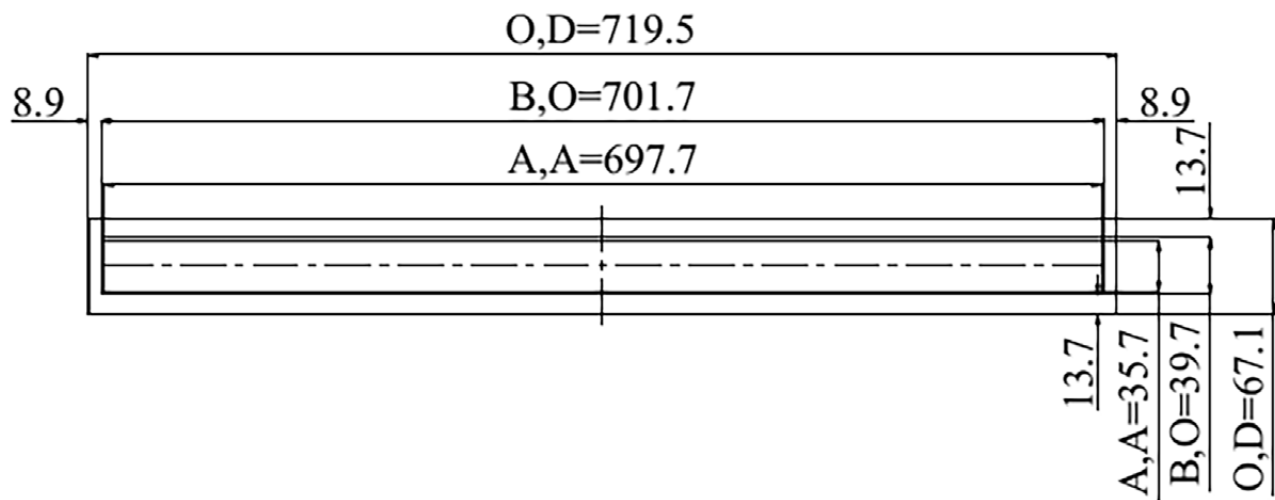
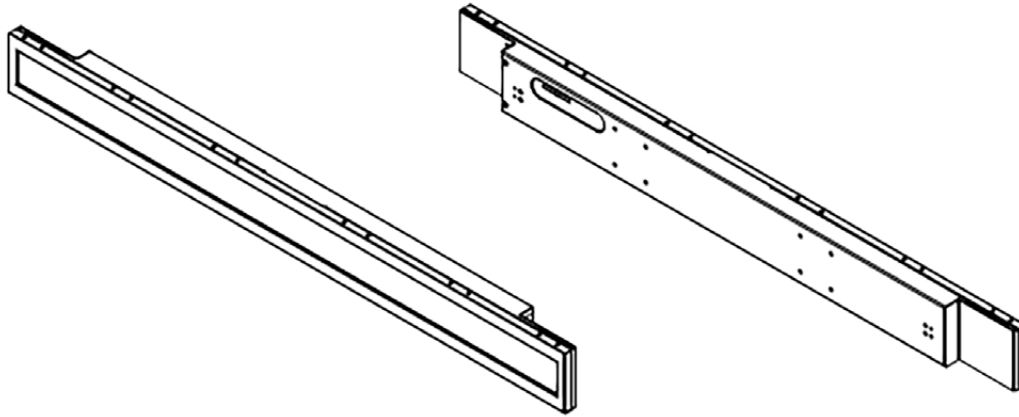
- Resizing LCD
- Ultra-Wide Screen (16 : 1)
- Brightness 200 nits
- LED Backlight
- Slim Bezel
- USB 3.0
- BL MTBF: 100,000 hours

SPECIFICATIONS

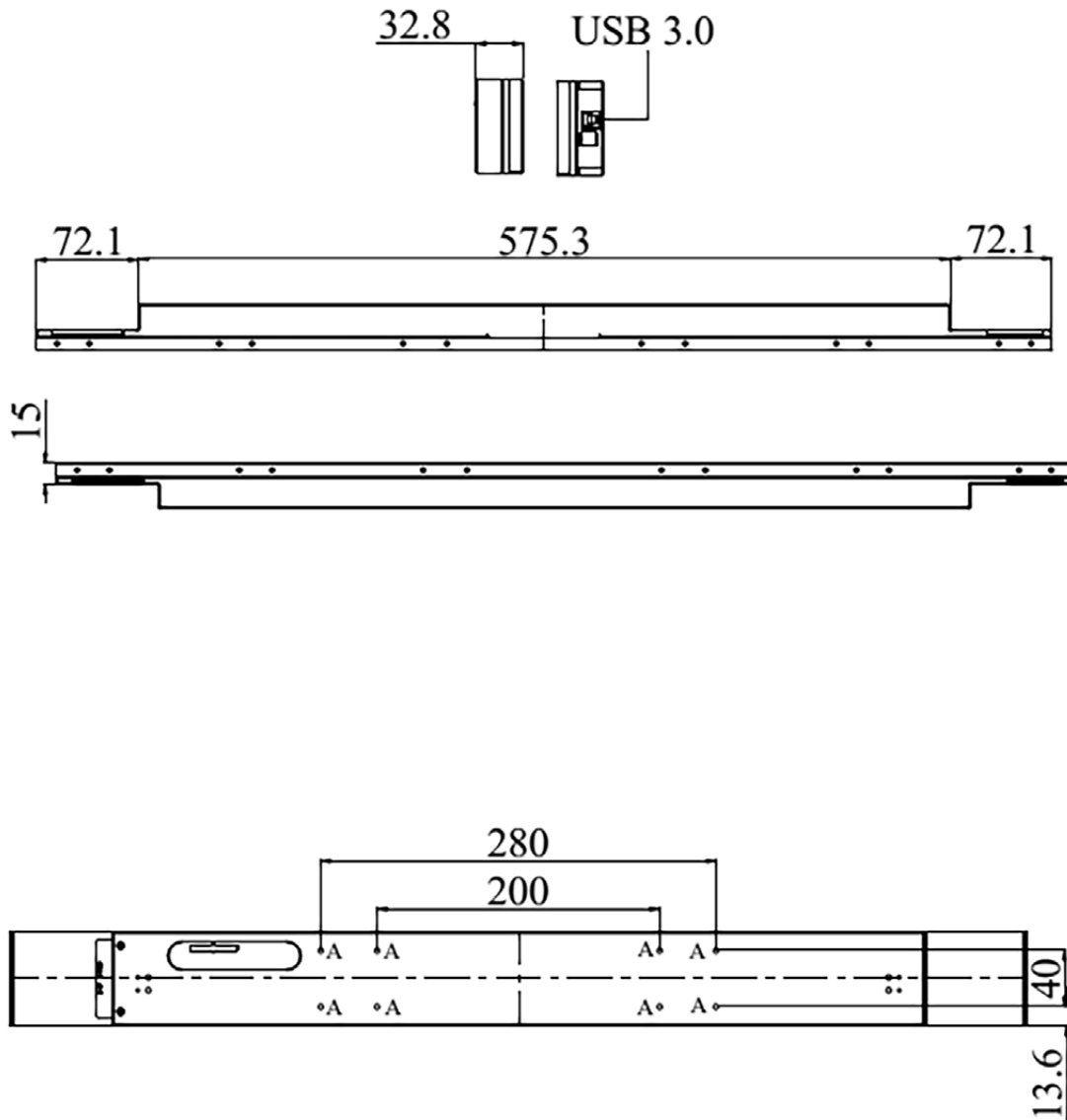
Model No.	SSD2755-A V1
Description	27.5" Resizing USB3.0 Display, 200 nits LED backlight, 1366x70
Screen Size	27.5"
Display Area (mm)	697.7(H) x 35.7(V)
Brightness	200 cd/m ²
Resolution	1366x70
Aspect Ratio	16 : 1
Contrast Ratio	3000 : 1
Pixel Pitch (mm)	0.51075(H) x 0.51075(V)
Pixel Per Inch (PPI)	50
Viewing Angle	178°(H), 178°(V)
Color Saturation (NTSC)	80%
Display Colors	16.7M
Response Time (Typical)	6.5 ms
Panel Interface	LVDS
AD Board Input Interface	USB
Input Power	USB
Power Consumption	4.5W
OSD Key	NA
OSD Control	NA
Dimensions (mm)	719.5x 67.1 x 32.8
Bezel Size(U/B/L/R)	13.7/13.7/8.9/8.9 mm
Weight (Net)	1.7 kg
Mounting	280 x 40, 200 x 40
Operating Temperature	0° C ~ 50° C
Storage Temperature	-20° C ~ 60° C

*Specifications are subject to change without notice. All brands or product names are trademarks or registered trademarks of their respective companies.

SSD= Panel+ LED Driving Board + Control Board + Housing



MECHANICAL DRAWING Unit: mm



NOTE :

O.D. : OUTLINE DIMENSION

B.O. : BEZEL OPENING

A.A. : LCD ACTIVE AREA

A:8-M4_USER HOLE_MAX.Depth=5mm