

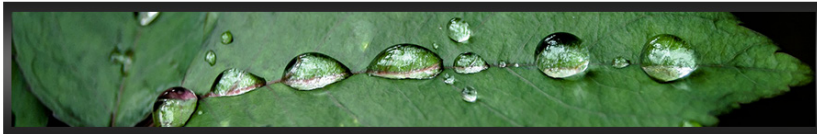
SSD3480-I V1

34.8" Resizing LCD, 2000 nits LED backlight,
1920 x 264 ultra-wide aspect ratio 16:2.2

The SSD3480-I is a 34.8 inch color TFT-LCD display with special aspect ratio 16:2.2 and wide resolution 1920 x 264. It is Litemax's Spanpixel series product which designed for high brightness 2000 nits with power efficiency LED backlight. It provides LCD panel with specific aspect ratios and sunlight readable for digital signage, public transportation, exhibition hall, department store, and vending machine.

KEY FEATURES

- Resizing LCD
- Ultra-Wide Screen (16 : 2.2)
- High Brightness 2000 nits
- Sunlight Readable
- LED Backlight
- Slim Bezel
- BL MTBF: 100,000 hours



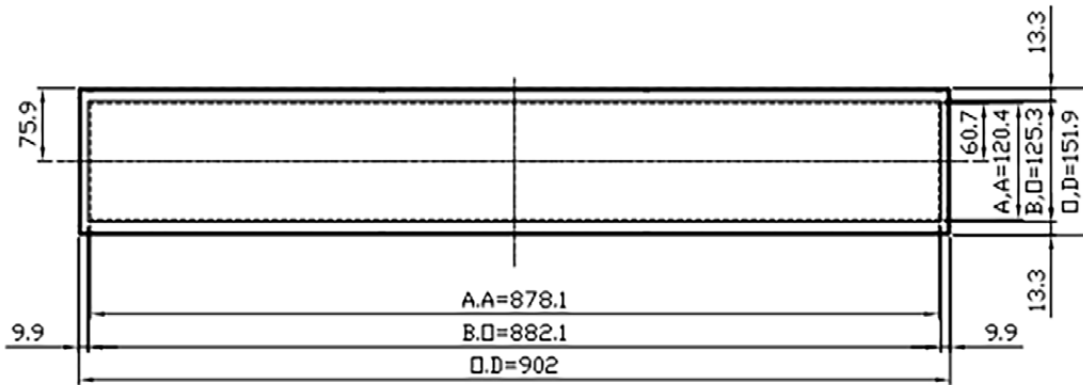
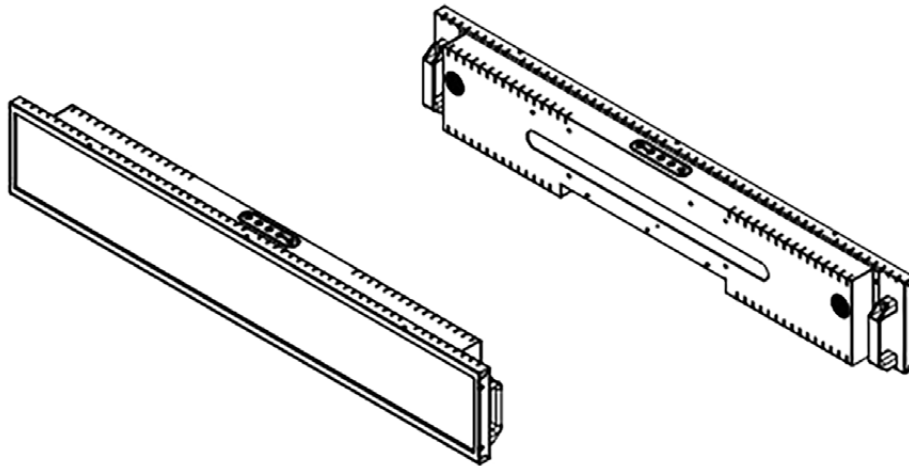
SPECIFICATIONS

| | |
|--------------------------|--|
| Model No. | SSD3480-I V1 |
| Description | 34.8" Resizing LCD, 2000 nits LED backlight, 1920x264 |
| Screen Size | 34.8" |
| Display Area (mm) | 878.112(H) x 118.6(V) |
| Brightness | 2000 cd/m ² |
| Resolution | 1920x264 |
| Aspect Ratio | 16 : 2.2 |
| Contrast Ratio | 9940:1 |
| Pixel Pitch (mm) | 0.4494(H) x 0.4494(V) |
| Pixel Per Inch (PPI) | 55 |
| Viewing Angle | 178°(H), 178°(V) |
| Display Colors | 16.7M |
| Response Time (Typical) | 8.5 ms |
| Sync | LVDS |
| AD Board Input Interface | VGA, DVI-D, HDMI, DP |
| Input Power | DC12V |
| Power Consumption | 42 W |
| OSD Key | 4 Keys (Power Switch, Menu, +, -) |
| OSD Control | Brightness, Color, Contrast, Auto Turing, H/V Position...etc |
| Dimensions (mm) | 902 x 151.9 x 62.2 |
| Bezel Size(U/B/L/R) | 13.3/13.3/9.9/9.9 mm |
| Weight (Net) | 5.8 kg |
| Mounting | 300x75 |
| Operating Temperature | 0 °C ~ 50 °C |
| Storage Temperature | -20 °C ~ 60 °C |

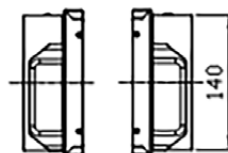
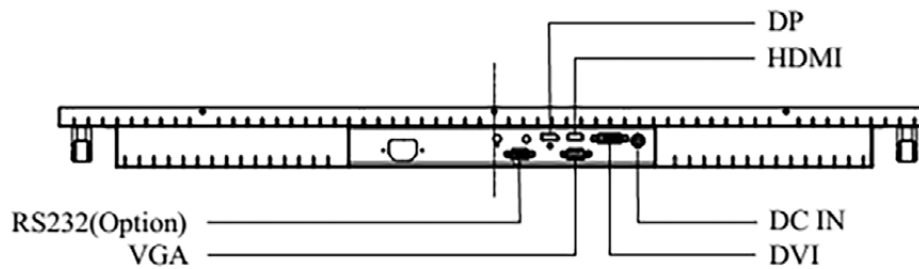
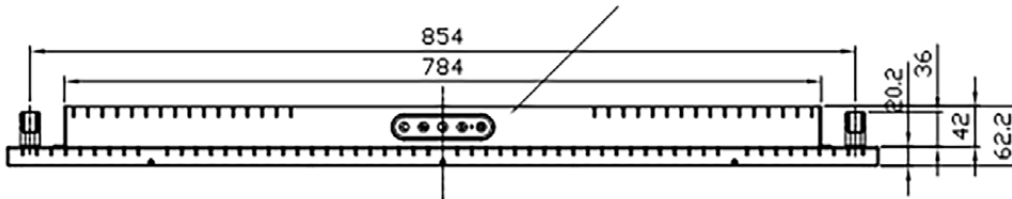
*Specifications are subject to change without notice. **All brands or product names are trademarks or registered trademarks of their respective companies.

SSD= Panel+ LED Driving Board + Control Board + Housing

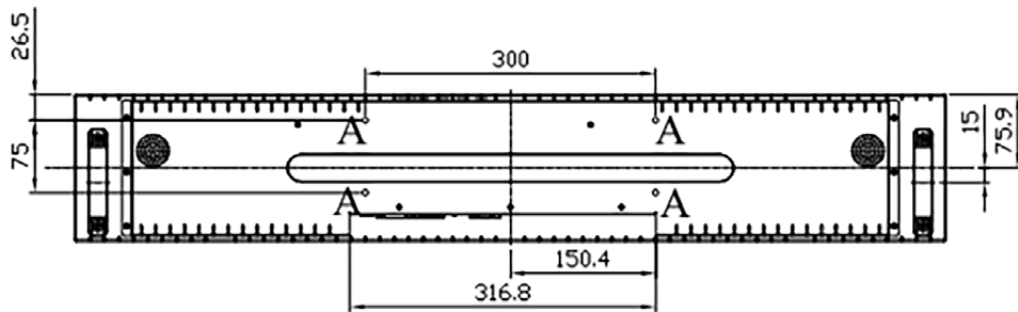
MECHANICAL DRAWING Unit: mm



MEMBRANE 5-KEY



MECHANICAL DRAWING Unit: mm



Note :

O.D : Outline Dimension

B.O : Bezel Opening

A.A : LCD Active Area

A:4-M6_USER HOLE_MAX DEPTH=6mm