

SSD3485-INK V1 MaxRGB

34.8" Resizing LCD, 1000 nits LED backlight, MaxRGB, 3840 x 536 ultra-wide aspect ratio 16:2.2



The SSD3485-INK is a 34.8 inch color TFT-LCD display with special aspect ratio 16:2.2 and wide resolution 3840 x 536 with HCS (High Color Saturation). It is Litemax's Spanpixel series product which designed for high brightness 1000 nits with power efficiency LED backlight. It provides LCD panel with specific aspect ratios and sunlight readable for digital signage, public transportation, exhibition hall, department store, and vending machine.



KEY FEATURES

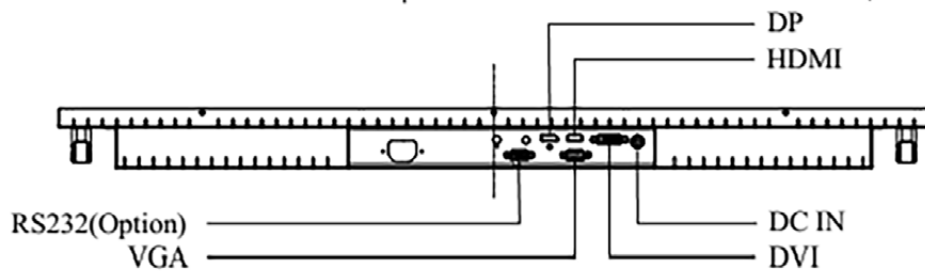
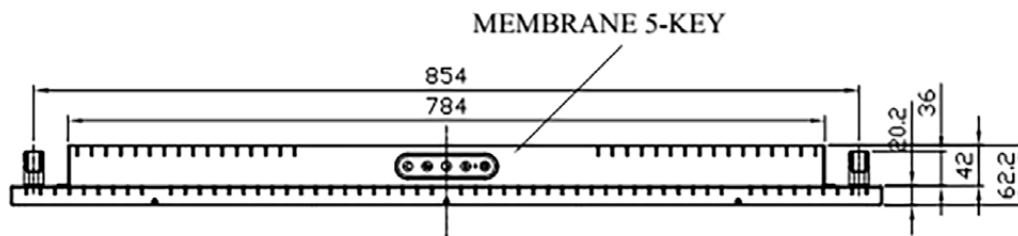
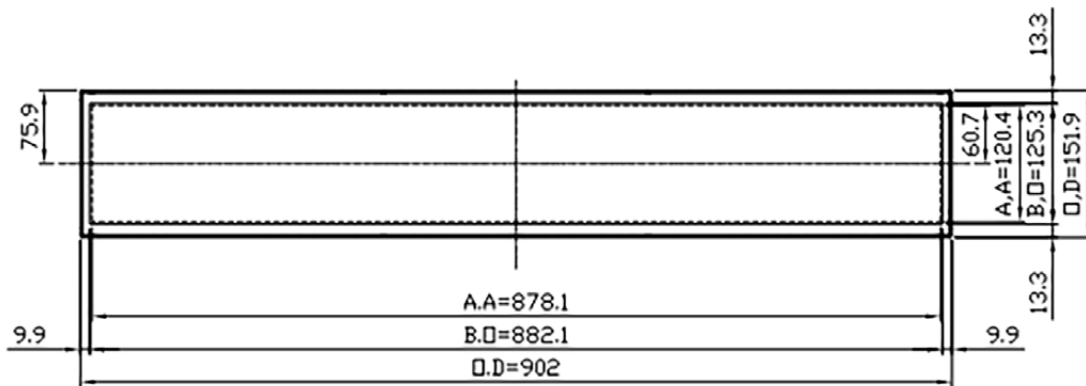
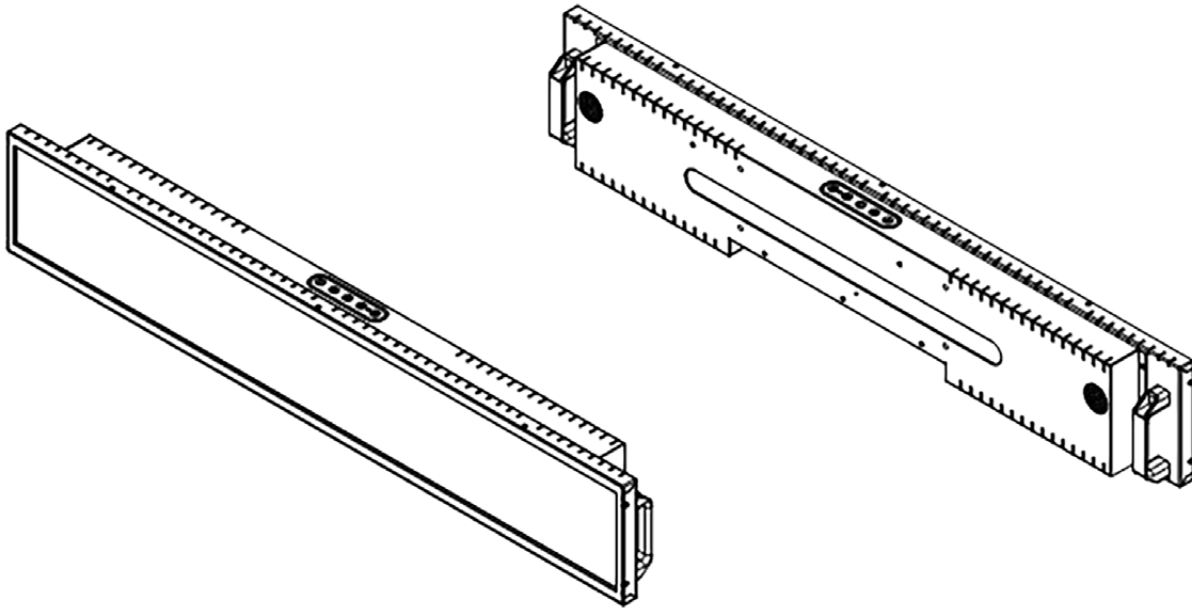
- Resizing LCD
- Ultra-Wide Screen (16 : 2.2)
- High Brightness 1000 nits
- Sunlight Readable
- LED Backlight
- Slim Bezel
- High Color Saturation
- BL MTBF: 100,000 hours

SPECIFICATIONS

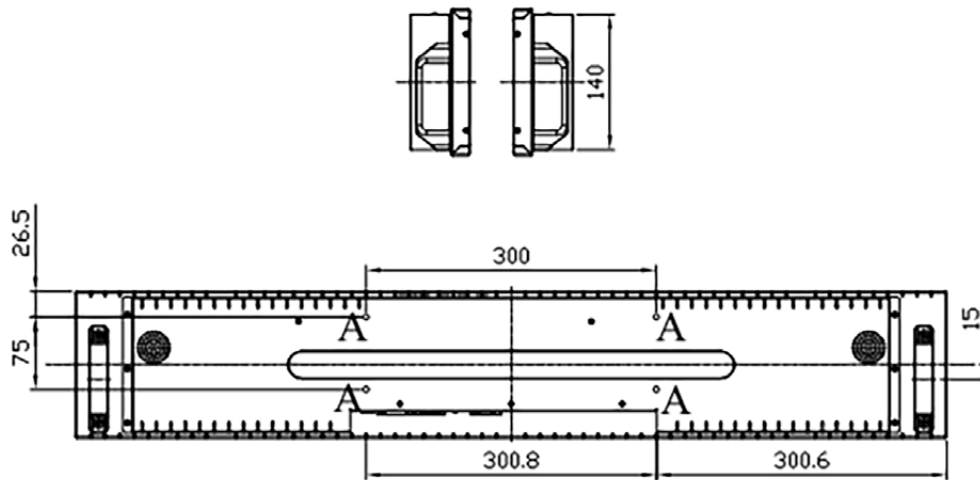
Model No.	SSD3485-INK V1 MaxRGB
Description	34.8" Resizing LCD, 1000 nits LED backlight, MaxRGB, 3840x536
Screen Size	34.8"
Display Area (mm)	878.11(H) x 120.44(V)
Brightness	1000 cd/m ²
Resolution	3840x536
Aspect Ratio	16 : 2.2
Contrast Ratio	4900:1
Pixel Pitch (mm)	0.2247(H) x 0.2247(V)
Pixel Pre Inch (PPI)	111
Viewing Angle	178°(H), 178°(V)
Color Saturation (NTSC)	94%
Display Colors	1.07G
Response Time (Typical)	8.5 ms
Panel Interface	V-by-One
AD Board Input Interface	VGA, DVI-D, HDMI, DP
Input Power	DC12V
Power Consumption	59 W
OSD Key	5 Keys (Power Switch, Menu, +, Exit, -)
OSD Control	Brightness, Color, Contrast, Auto Turing, H/V Position...etc
Dimensions (mm)	902 x 151.9 x 62.2
Bezel Size(U/B/L/R)	13.3/13.3/9.9/9.9 mm
Weight (Net)	5.8 kg
Mounting	300x75
Operating Temperature	0 °C ~ 50 °C
Storage Temperature	-20 °C ~ 60 °C

*Specifications are subject to change without notice. **All brands or product names are trademarks or registered trademarks of their respective companies.

SSD= Panel+ LED Driving Board + Control Board + Housing



MECHANICAL DRAWING Unit: mm



Note :

O.D : Outline Dimension

B.O : Bezel Opening

A.A : LCD Active Area

A:4-M6_USER HOLE_MAX. DEPTH=6mm