

SSD3588-I V1

35.8" Resizing LCD, 1600 nits LED backlight,
1920 x 534 ultra-wide aspect ratio 16:4.4

The SSD3588-I is a 35.8 inch color TFT-LCD display with special aspect ratio 16:4.4 and wide resolution 1920 x 534. It is Litemax's Spanpixel series product which designed for high brightness 1600 nits with power efficiency LED backlight. It provides LCD panel with specific aspect ratios and sunlight readable for digital signage, public transportation, exhibition hall, department store, and vending machine.



KEY FEATURES

- Resizing LCD
- Ultra-Wide Screen (16 : 4.4)
- High Brightness 1600 nits
- Sunlight Readable
- LED Backlight
- Slim Bezel
- BL MTBF: 100,000 hours

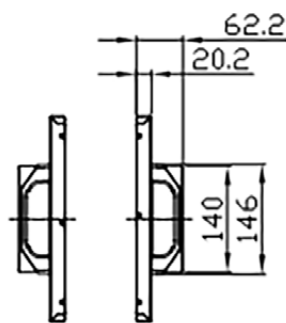
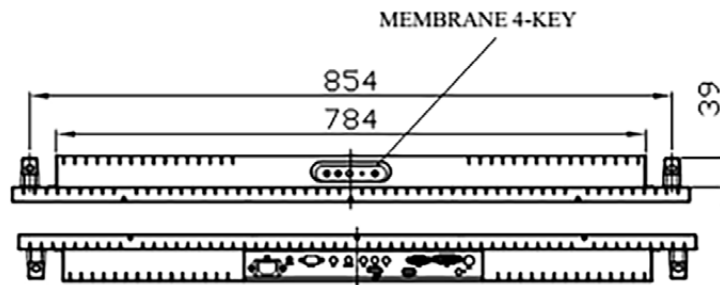
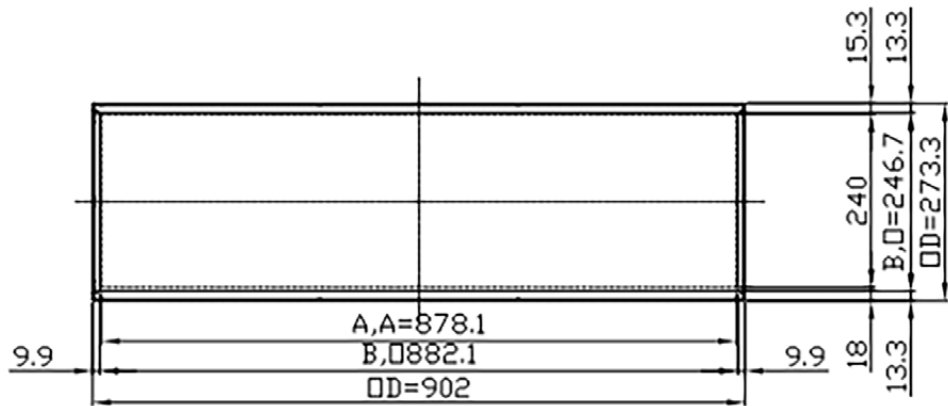
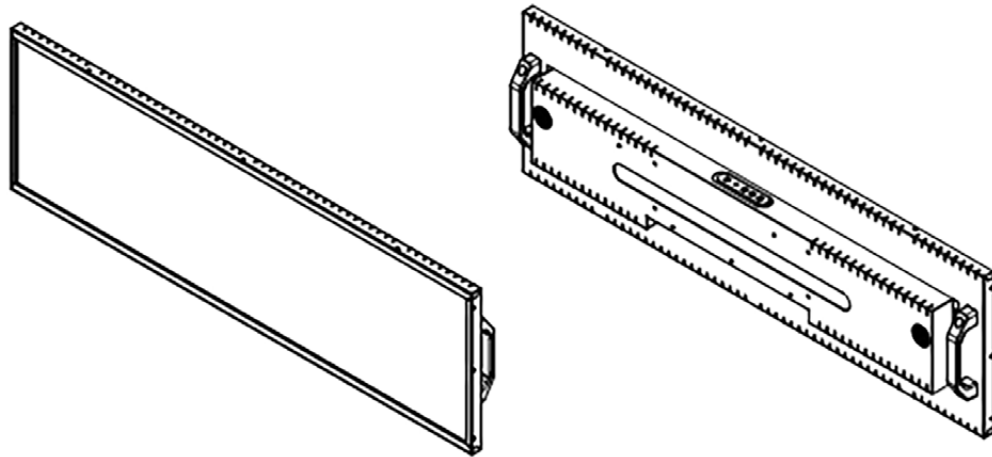
SPECIFICATIONS

Model No.	SSD3588-I V1
Description	35.8" Resizing LCD, 1600 nits LED backlight, 1920x534
Screen Size	35.8"
Display Area (mm)	878.112(H) x 240(V)
Brightness	1600 cd/m ²
Resolution	1920x534
Aspect Ratio	16 : 4.4
Contrast Ratio	10000 : 1
Pixel Pitch (mm)	0.4494(H) x 0.4494(V)
Pixel Per Inch (PPI)	55
Viewing Angle	178°(H), 178°(V)
Color Saturation (NTSC)	80%
Display Colors	16.7M
Response Time (Typical)	8.5 ms
Panel Interface	LVDS
AD Board Input Interface	VGA, DVI-D, HDMI, DP
Input Power	AC100~240V
Power Consumption	64 W
OSD Key	4 Keys (Power Switch, Menu, +, -)
OSD Control	Brightness, Color, Contrast, Auto Turing, H/V Position...etc
Dimensions (mm)	902x 273.3 x 62.2
Bezel Size(U/B/L/R)	13.3/13.3/9.9/9.9 mm
Weight (Net)	9.4kg
Mounting	300x75
Operating Temperature	0 °C ~ 50 °C
Storage Temperature	-20 °C ~ 60 °C

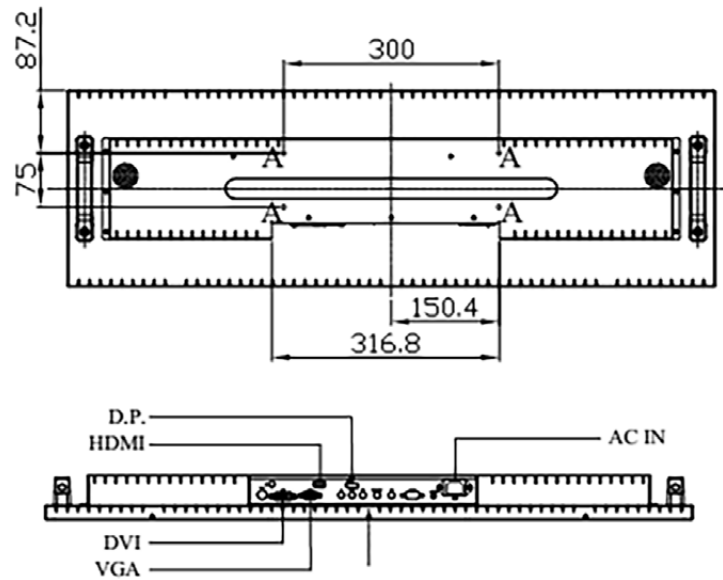
*Specifications are subject to change without notice. **All brands or product names are trademarks or registered trademarks of their respective companies.

SSD= Panel+ LED Driving Board + Control Board + Housing

MECHANICAL DRAWING Unit: mm



MECHANICAL DRAWING Unit: mm



Note :
 O.D : Outline Dimension
 B.O : Bezel Opening
 A.A : LCD Active Area
 A:4-M6_USER HOLE_MAX DEPTH=6mm