

# SSD3805-I V3

37.6" Resizing LCD, 1000 nits LED backlight,  
1920 x 540 ultra-wide aspect ratio 16:4.5

The SSD3805-I is a 37.6 inch color TFT-LCD display with special aspect ratio 16:4.5 and wide resolution 1920 x 540. It is Litemax's Spanpixel series product which designed for high brightness 1000 nits with power efficiency LED backlight. It provides LCD panel with specific aspect ratios and sunlight readable for digital signage, public transportation, exhibition hall, department store, and vending machine.



## KEY FEATURES

- 37.6" resizing LCD
- Stretched display (aspect ratio of 16 : 4.5)
- Sunlight readable, high brightness (1,000 nits)
- Resolutions: 1920 x 540
- Wide view angle of 178° (H), 178° (V)
- BL MTBF: 100,000 hours

## SPECIFICATIONS

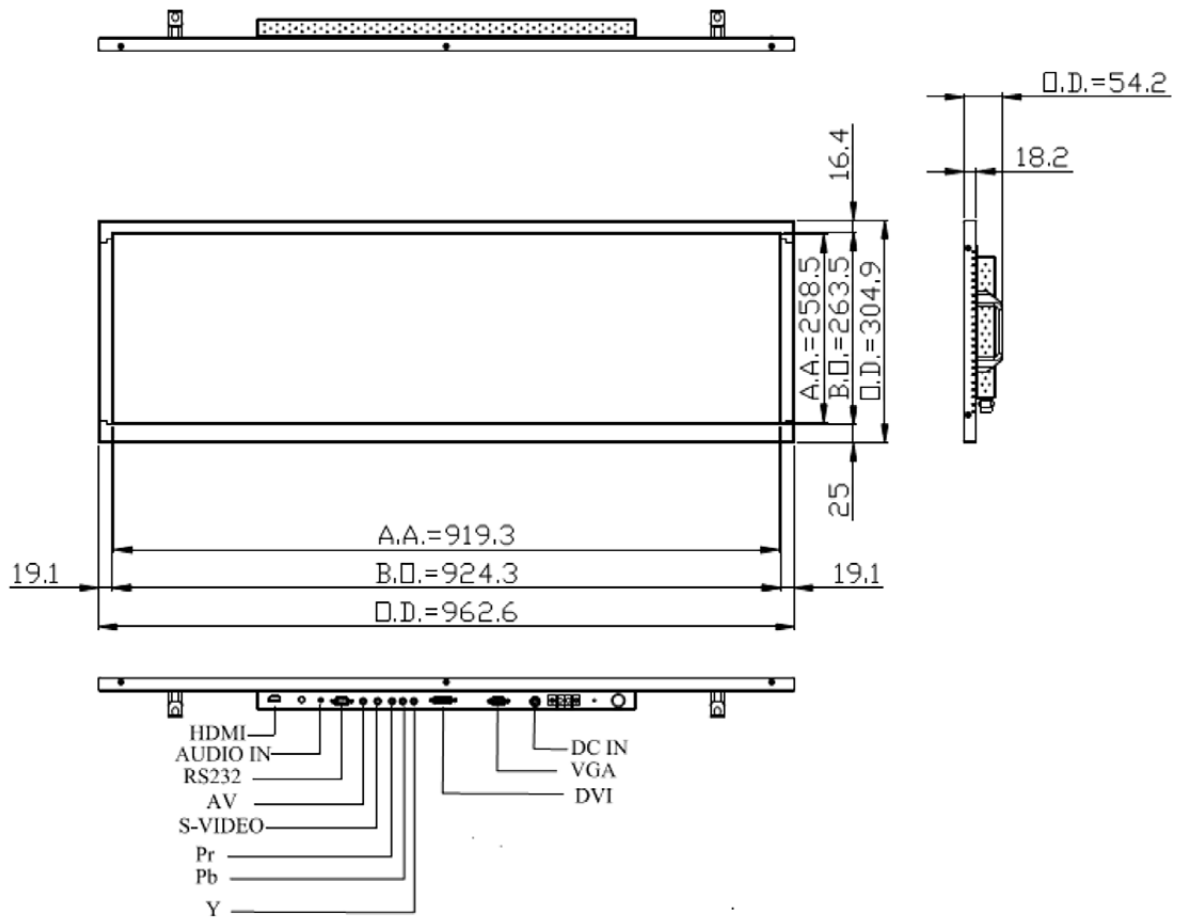
Model No.	SSD3805-I V3
Description	37.6" Resizing LCD, 1000 nits LED backlight, 1920x540
Screen Size	37.6"
Display Area (mm)	919.296(H) x 258.5(V)
Brightness	1000 cd/m <sup>2</sup>
Resolution	1920x540
Aspect Ratio	16 : 4.5
Contrast Ratio	8000 : 1
Pixel Pitch (mm)	0.4788(H) x 0.4788(V)
Pixel Per Inch (PPI)	52
Viewing Angle	178°(H), 178°(V)
Color Saturation (NTSC)	82%
Display Colors	16.7M
Response Time (Typical)	9.5 ms
Video Interface	VGA, DVI-D, HDMI
Input Power	DC12V
Power Consumption	36.4W
Dimensions (mm)	962.6x 304.9 x 54.2
Bezel Size(U/B/L/R)	16.4/25/19.1/19.1 mm
Weight (Net)	8.8 kg
Mounting	VESA 400X100mm
OSD Key	4 Keys (Power Switch, Menu, +, -)
OSD Control	Brightness, Color, Contrast, Auto Turing, H/V Position...etc
Operating Temperature	0 °C ~ 50 °C
Storage Temperature	-20 °C ~ 60 °C
Product Approval	CE, FCC

\*Specifications are subject to change without notice. All brands or product names are trademarks or registered trademarks of their respective companies.

SSD= Panel+ LED Driving Board + Control Board + Housing

**MECHANICAL DRAWING** Unit: mm

Note :  
 O.D : Outline Dimension  
 B.O : Bezel Opening  
 A.A : LCD Active Area  
 A:4-M6\_USER\_HOLE\_MAX\_DEPTH=11mm



MECHANICAL DRAWING Unit: mm

