

SSD4788-B V1

47.8" Resizing LCD, 1600 nits LED backlight,
1920 x 178 ultra-wide aspect ratio 16:1.5

The SSD4788-B is a 47.8 inch color TFT-LCD display with special aspect ratio 16:1.5 and wide resolution 1920 x 178. It is Litemax's Spanpixel series product which designed for high brightness 1600 nits with power efficiency LED backlight. It provides LCD panel with specific aspect ratios and sunlight readable for digital signage, public transportation, exhibition hall, department store, and vending machine.

KEY FEATURES

- Resizing LCD
- Ultra-Wide Screen (16 : 1.5)
- High Brightness 1600 nits
- Sunlight Readable
- LED Backlight
- Slim Bezel
- BL MTBF: 100,000 hours



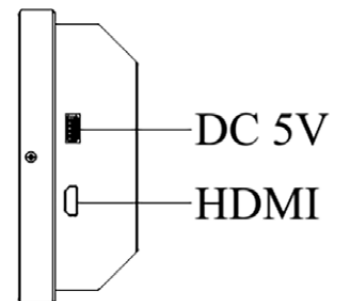
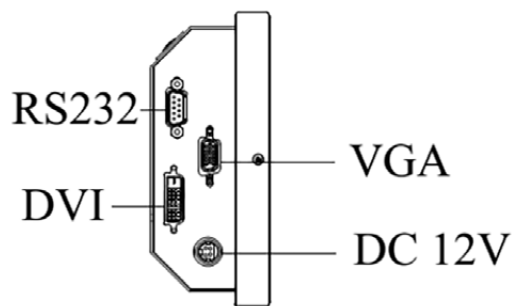
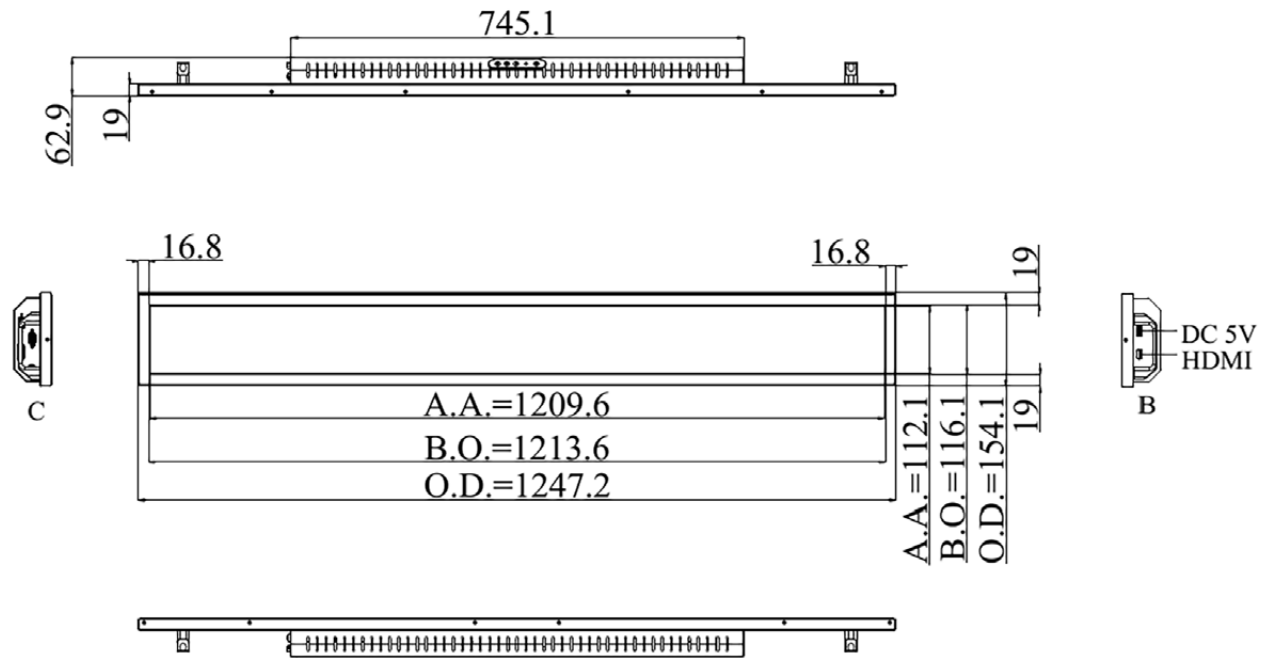
SPECIFICATIONS

Model No.	SSD4788-B V1
Description	47.8" Resizing LCD, 1600 nits LED backlight, 1920x178
Screen Size	47.8"
Display Area (mm)	1209.6(H) x 112.1(V)
Brightness	1600 cd/m ²
Resolution	1920x178
Aspect Ratio	16 : 1.5
Contrast Ratio	1700 : 1
Pixel Pitch (mm)	0.63(H) x 0.63(V)
Pixel Per Inch (PPI)	40
Viewing Angle	178°(H), 178°(V)
Color Saturation (NTSC)	81%
Display Colors	16.7M
Response Time (Typical)	8 ms
Panel Interface	LVDS
AD Board Input Interface	VGA, DVI-D, HDMI
Input Power	DC 12V
Power Consumption	42 W
OSD Key	4 Keys (Power Switch, Menu, +, -)
OSD Control	Brightness, Color, Contrast, Auto Turing, H/V Position...etc
Dimensions (mm)	1247.2x 154.1 x 62.9
Bezel Size(U/B/L/R)	19/19/16.8/16.8 mm
Weight (Net)	6.6 kg
Mounting	400x75mm
Operating Temperature	0 °C ~ 50 °C
Storage Temperature	-20 °C ~ 60 °C

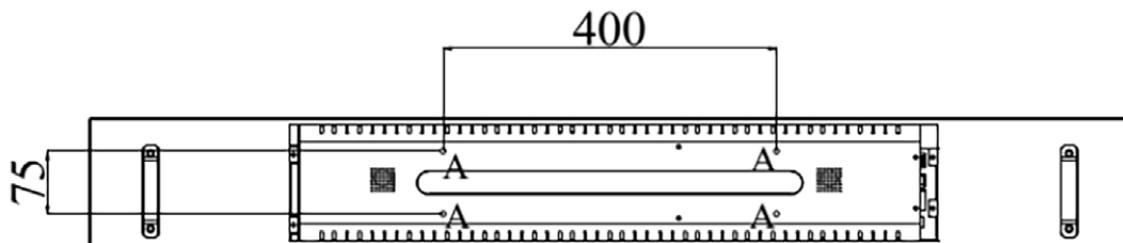
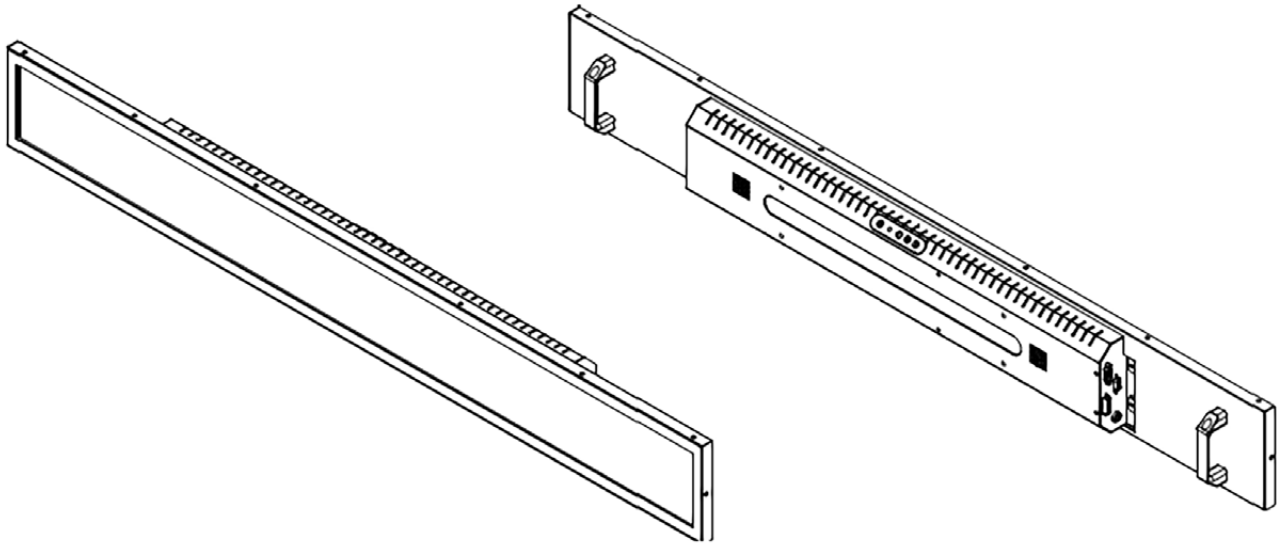
*Specifications are subject to change without notice. **All brands or product names are trademarks or registered trademarks of their respective companies.

SSD= Panel+ LED Driving Board + Control Board + Housing

MECHANICAL DRAWING Unit: mm



MECHANICAL DRAWING Unit: mm



NOTE :

O.D. : OUTLINE DIMENSION

B.O. : BEZEL OPENING

A.A. : LCD ACTIVE AREA

A : 4-M6_USER HOLE_MAX. DEPTH=8 mm