

SSF3588-I / SSH3588-I V1

35.8" Resizing LCD, 1600 nits LED backlight, 1920 x 534 ultra-wide aspect ratio 16:4.4

The SSF/SSH3588-I is a 35.8 inch color TFT-LCD display with special aspect ratio 16:4.4 and wide resolution 1920 x 534. It is Litemax's Spanpixel series product which designed for high brightness 1600 nits with power efficiency LED backlight. It provides LCD panel with specific aspect ratios and sunlight readable for digital signage, public transportation, exhibition hall, department store, and vending machine.



KEY FEATURES

- Resizing LCD
- Ultra-Wide Screen (16 : 4.4)
- High Brightness 1600 nits
- Sunlight Readable
- LED Backlight
- Slim Bezel
- BL MTBF: 100,000 hours

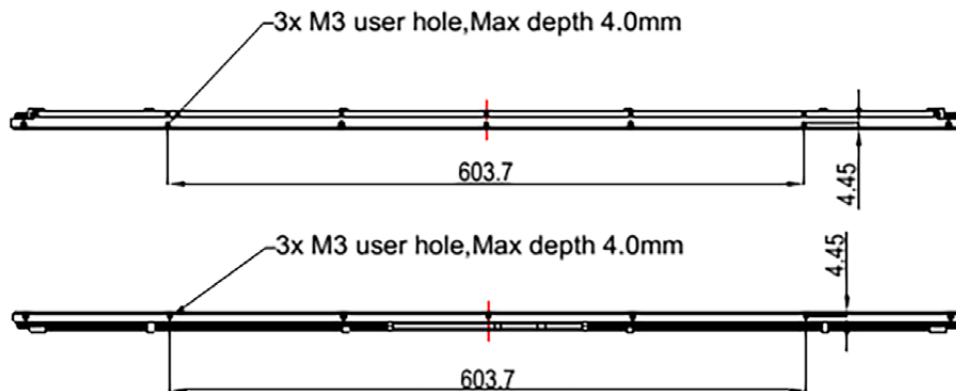
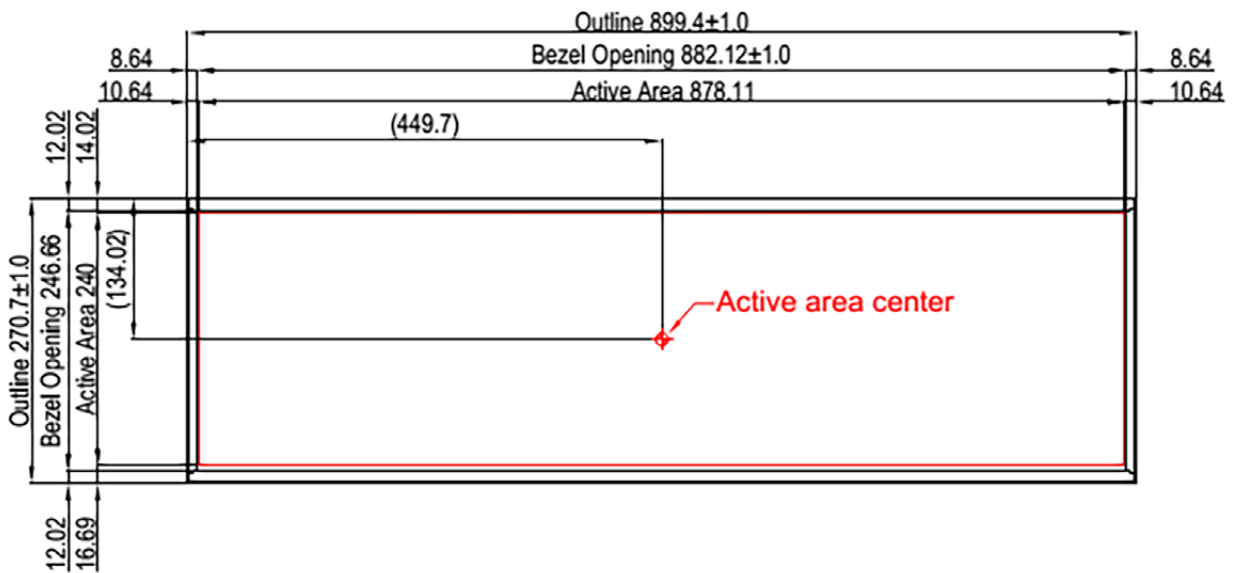
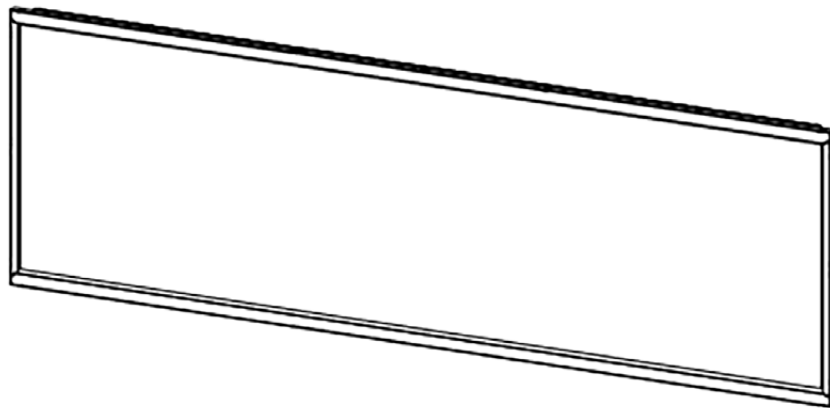
SPECIFICATIONS

Model No.	SSF3588-I / SSH3588-I V1
Description	35.8" Resizing LCD, 1600 nits LED backlight, 1920x534
Display Area (mm)	878.112(H) x 240(V)
Brightness	1600 cd/m ²
Resolution	1920x534
Aspect Ratio	16 : 4.4
Contrast Ratio	10000 : 1
Pixel Pitch (mm)	0.4494(H) x 0.4494(V)
Pixel Per Inch (PPI)	55
Viewing Angle	178°(H), 178°(V)
Color Saturation (NTSC)	80%
Display Colors	16.7M
Response Time (Typical)	8.5ms
Panel Interface	LVDS
AD Board Input Interface	VGA, DVI-D, HDMI, DP
AD Board Input Power	DC12V (DC24V optional)
Power Consumption	59W, (64W with AD Board)
OSD Key	4 Keys (Power Switch, Menu, +, -)
OSD Control	Brightness, Color, Contrast, Auto Turing, H/V Position...etc
Dimensions (mm)	899.4x 270.7 x 18.85
Bezel Size(U/B/L/R)	12/12/8.6/8.6 mm
Weight (Net)	4.5 kg
Operating Temperature	0 °C ~ 50 °C
Storage Temperature	-20 °C ~ 60 °C

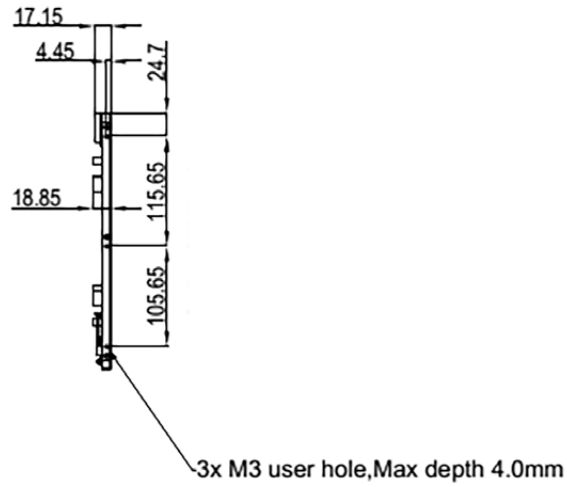
*Specifications are subject to change without notice. **All brands or product names are trademarks or registered trademarks of their respective companies.

SSF= Panel+LED Driving Board • SSH= Panel+ LED Driving Board + AD Control Board

MECHANICAL DRAWING Unit: mm

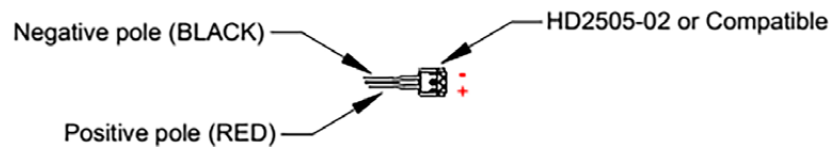
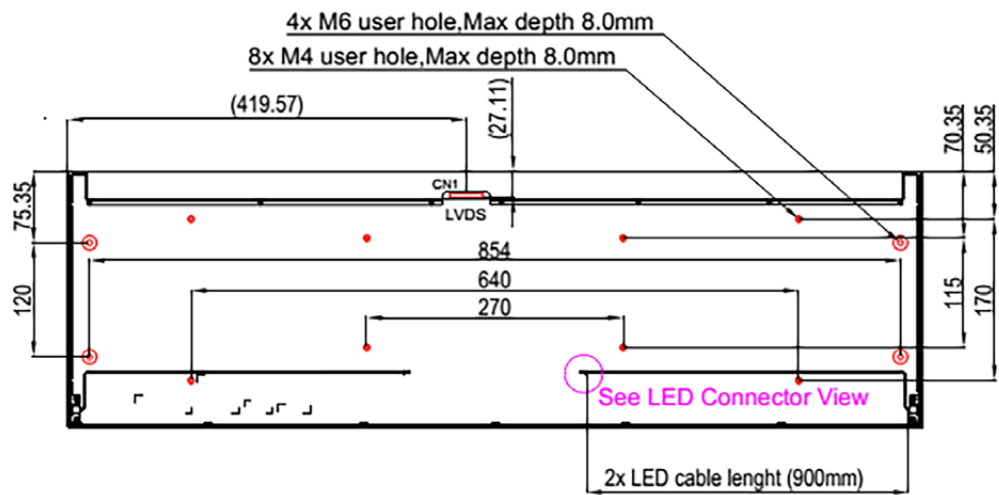
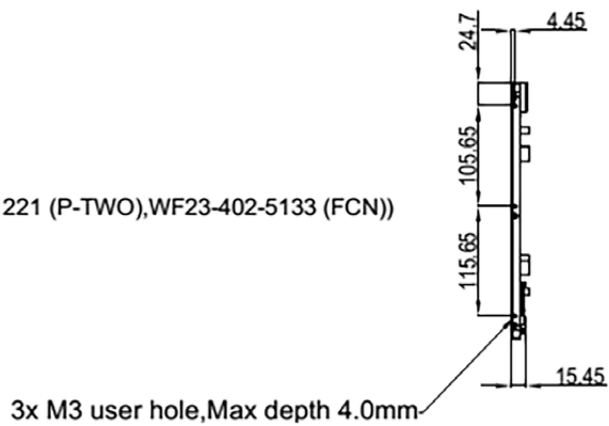


MECHANICAL DRAWING Unit: mm



Note:

1. Resolution: 1920x534
2. Tolerance is $\pm 0.5\text{mm}$ unless noted
3. "()" marks the reference dimensions
4. CN1 Connector Pin Assignment (187059-51221 (P-TWO), WF23-402-5133 (FCN))
Matting connector : FI-RE51HL (JAE)



LED Connector View