

# DLD6501-LNU V1

65" TFT LCD, LED Backlight 3000nits, UHD (3840x2160)

The DLD6501-LNU is a 65 inch industrial grade sunlight readable LCD, with high brightness 3000 nits and high color saturation, it produce sharp images, crisp text and lifelike colors. The Durapixel LED backlight technology ensures high reliability and low power consumption, suitable for outdoor, kiosk, factory automation, military, transportation, and gaming applications.



## KEY FEATURES

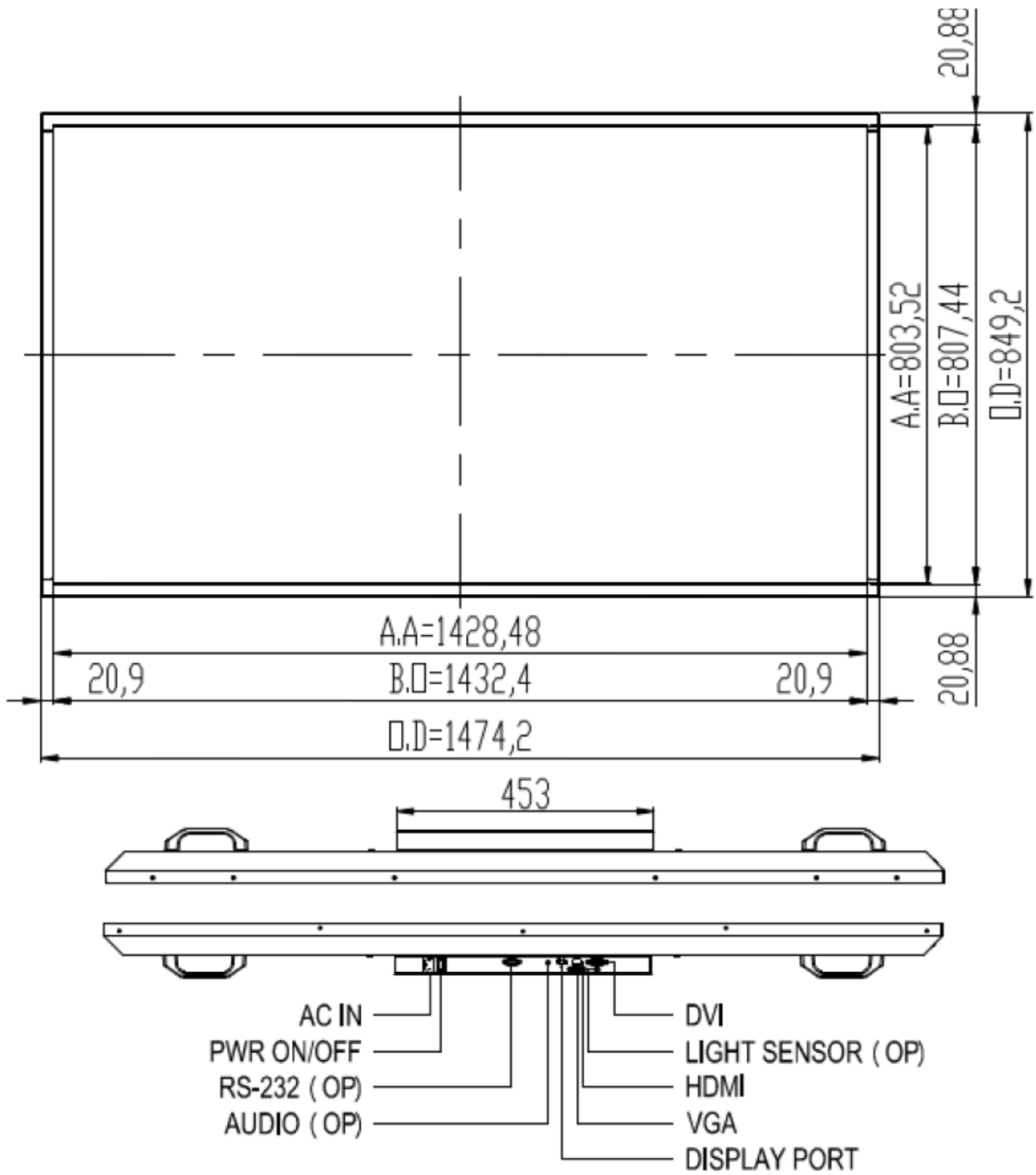
- High Brightness 3000 nits
- Sunlight Readable
- LED Backlight
- Low Power Consumption
- Slim Bezel
- BL MTBF: 100,000 hours
- LCD blackening defect free (Hi-Tni 110°)

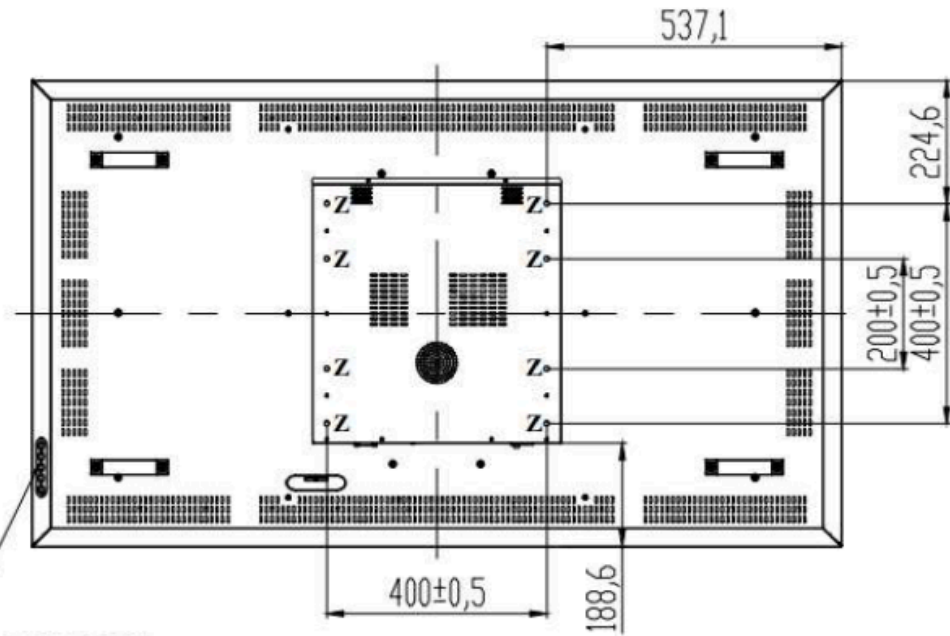
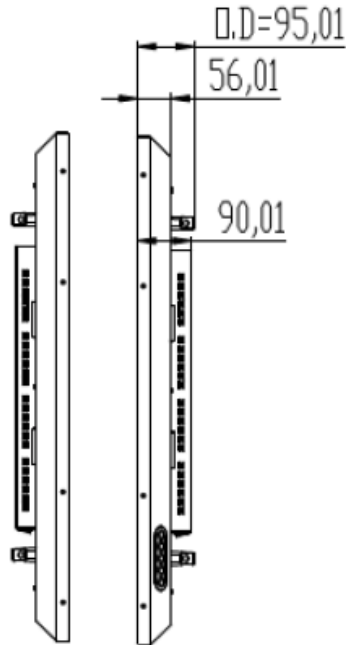
## SPECIFICATIONS

Model No.	DLD6501-LNU V1
Description	65" TFT LCD, LED Backlight 3000 nits, UHD (3840x2160)
Display Area (mm)	1428.48(H) x 803.52(V)
Brightness	3000 cd/m <sup>2</sup>
Resolution	3840x2160
Aspect Ratio	16 : 9
Contrast Ratio	900 : 1
Pixel Pitch (mm)	0.372(H) x 0.372(V)
Pixel Pre inch (PPI)	67
Viewing Angle	178°(H), 178°(V)
Color Saturation (NTSC)	77%
Display Colors	1.07G
Response Time (Typical)	8ms
Panel Interface	V-by-One
AD Board Input Interface	DVI-D, HDMI, DP
Input Power	AC100~240V
Power Consumption	404W
Dimensions (mm)	1474.2 x 849.2 x 95
Weight (Net)	47kg
OSD Key	5 Keys (Power Switch, Menu, +, Exit, -)
OSD Control	Brightness, Color, Contrast, Auto Turing, H/V Position...etc
Bezel Size (U/B/L/R)	.88/20.88/20.9/20.9 mm
Mounting	400x200, 400x400
Operating Temperature	0 °C ~ 50 °C
Storage Temperature	-20 °C ~ 60 °C

\*Specifications are subject to change without notice. \*\*All brands or product names are trademarks or registered trademarks of their respective companies.

**DLD= Panel + LED Driving Board + AD Control Board + Housing**





5-KEY MEMBRANE

Note:

O.D : Outline Dimension

B.O : Bezel Opening

A.A : LCD Active Area

Z:8-M8 USER HOLE \_MAX. DEPTH=12mm

MECHANICAL DRAWING Unit: mm

