

DLD7501-LNU V1

75" TFT LCD, 3000 nits LED backlight, UHD (3840x2160)

The DLD7501-LNU is a 75 inch industrial grade sunlight readable LCD, with a high brightness of 3000 nits and high color saturation, it produce sharp images, crisp text and life-like colors. The Durapixel LED backlight technology ensures high reliability and low power consumption, suitable for outdoor application, kiosk, factory automation, military, transportation and gaming applications.



KEY FEATURES

- High Brightness 3000 nits
- Resolution 3840x2160
- Sunlight Readable
- LED Backlight
- Local Dimming
- Low Power Consumption
- LCD Blacking Defect Free (Hi-Tni 110°C)
- BL MTBF: 50,000 hours

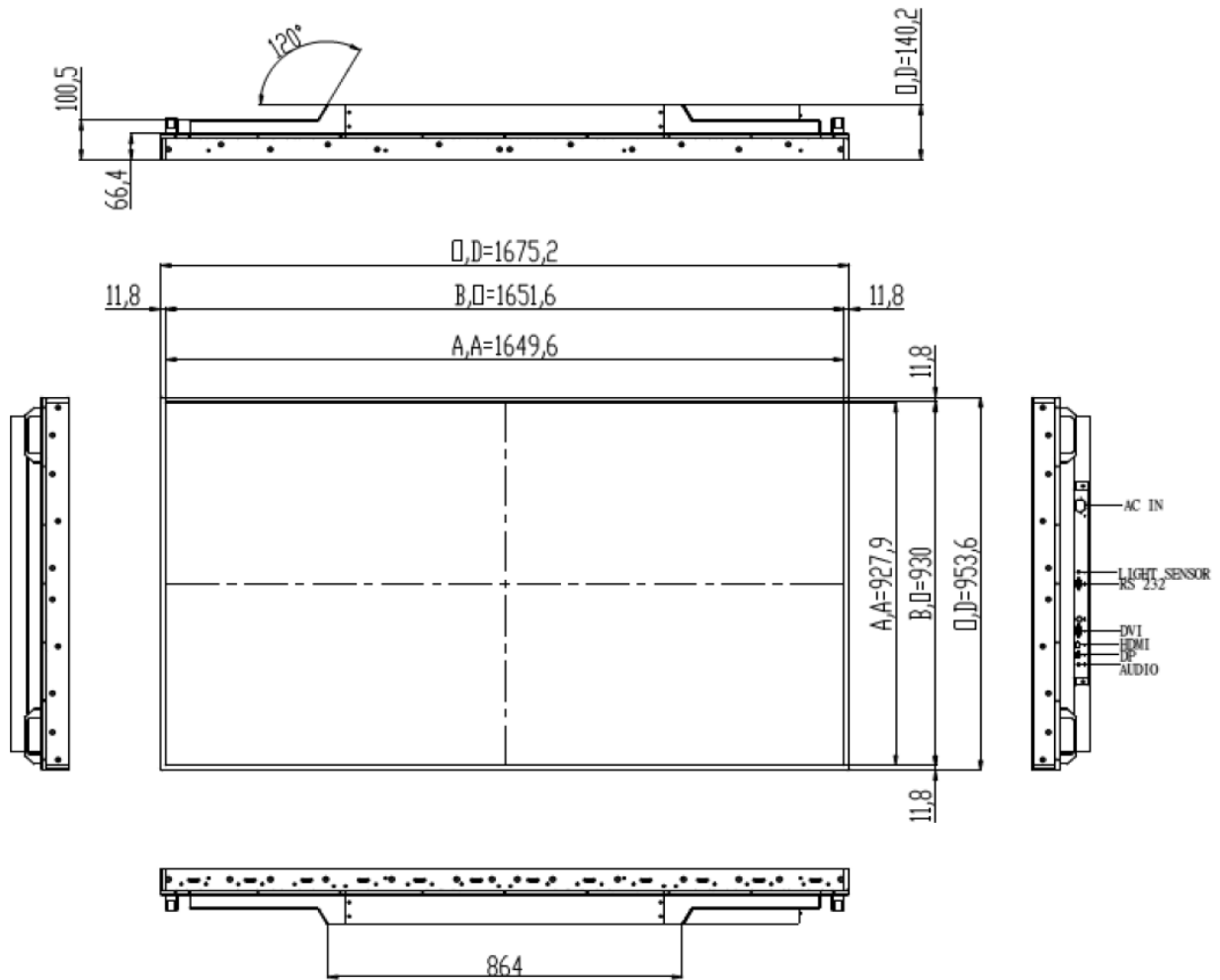
SPECIFICATIONS

Model No.	DLD7501-LNU V1
Description	75" TFT LCD, 3000 nits LED backlight, UHD (3840x2160)
Display Area (mm)	1649.6(H) x 927.9(V)
Brightness	3000 cd/m ²
Resolution	3840x2160
Aspect Ratio	16 : 9
Contrast Ratio	1200 : 1
Pixel Pitch (mm)	0.429(H) x 0.429(V)
Pixel Pre inch (PPI)	59
Viewing Angle	178°(H), 178°(V)
Color Saturation (NTSC)	68%
Display Colors	1.07G
Response Time (Typical)	8ms
Panel Interface	V-by-One
AD Board Input Interface	DVI-D, HDMI, DP
Input Power	AC100~240V
Power Consumption	612W
Dimensions (mm)	1675.2 x 953.6 x 140.2
Weight (Net)	69kg(88kg/Package)
OSD Key	5 Keys (Power Switch, Menu, +, Exit, -)
OSD Control	Brightness, Color, Contrast, Auto Turing, H/V Position...etc
Bezel Size (U/B/L/R)	11.8/11.8/11.8/11.8 mm
Operating Temperature	0 °C ~ 50 °C
Storage Temperature	-20 °C ~ 60 °C

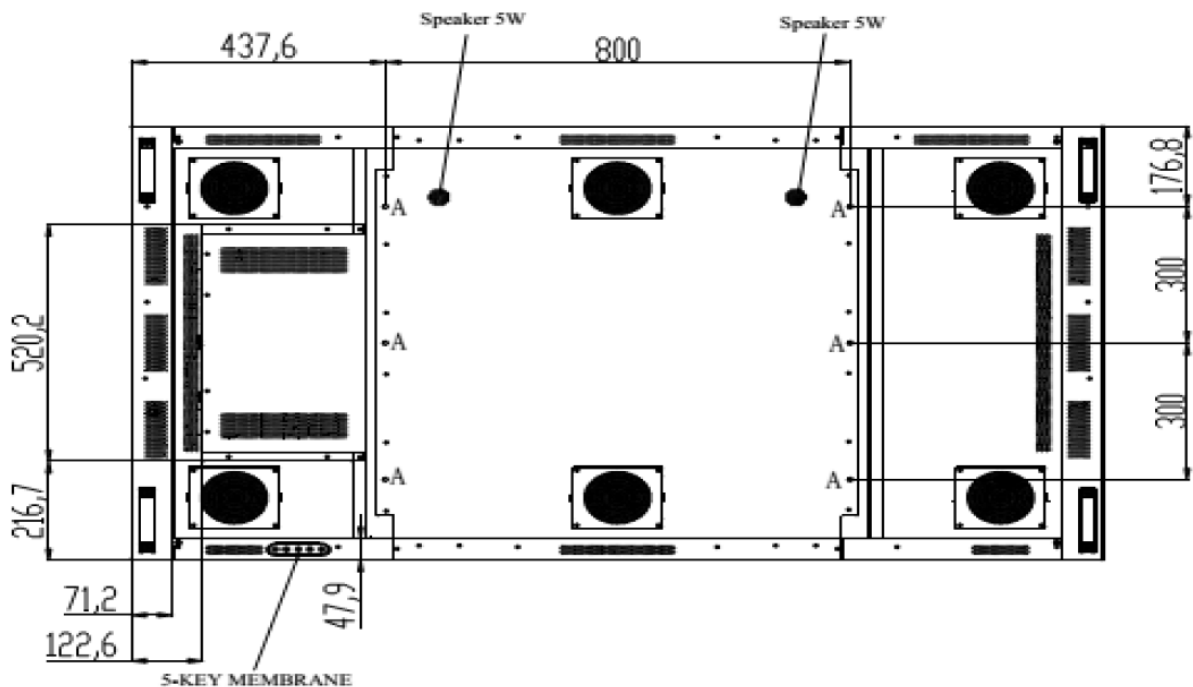
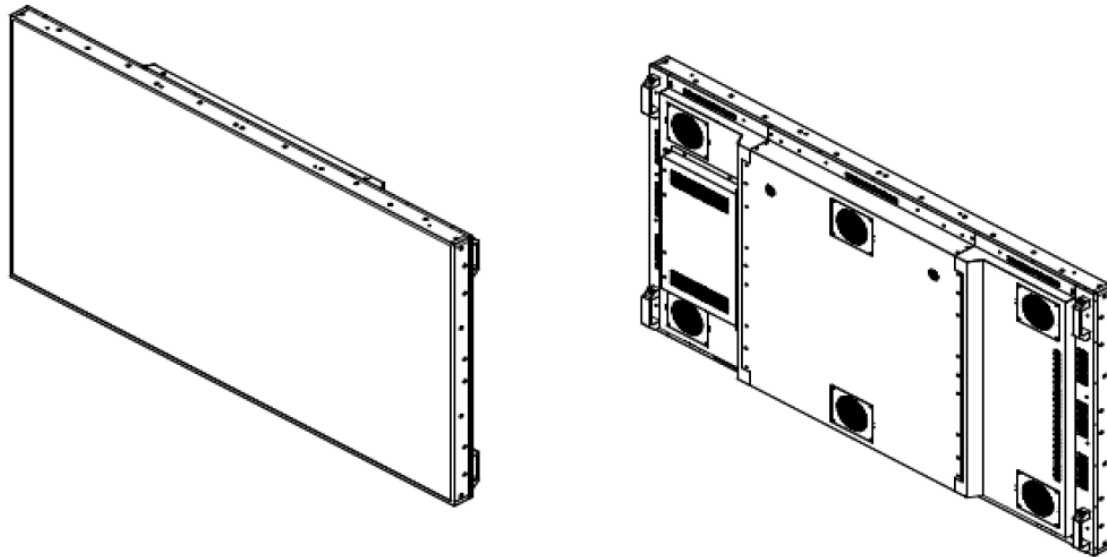
*Specifications are subject to change without notice. **All brands or product names are trademarks or registered trademarks of their respective companies.

DLD= Panel + LED Driving Board + AD Control Board + Housing

MECHANICAL DRAWING Unit: mm



MECHANICAL DRAWING Unit: mm



Note:

O.D : Outline Dimension

B.O : Bezel Opening

A.A : LCD Active Area

A:6-M8 USER HOLE _MAX. DEPTH=18mm