

SSD3705-Y V2

37" LCD, 1000 nits LED backlight, 1920 x 540 ultra-wide aspect ratio 16:4.5

The SSD3705-Y is a 37 inch color TFT-LCD display with special aspect ratio 16:4.5 and wide resolution 1920 x 540. It is Litemax's Spanpixel series product which designed for high brightness 1000 nits with power efficiency LED backlight. It provides LCD panel with specific aspect ratios and sunlight readable for digital signage, public transportation, exhibition hall, department store, and vending machine.



KEY FEATURES

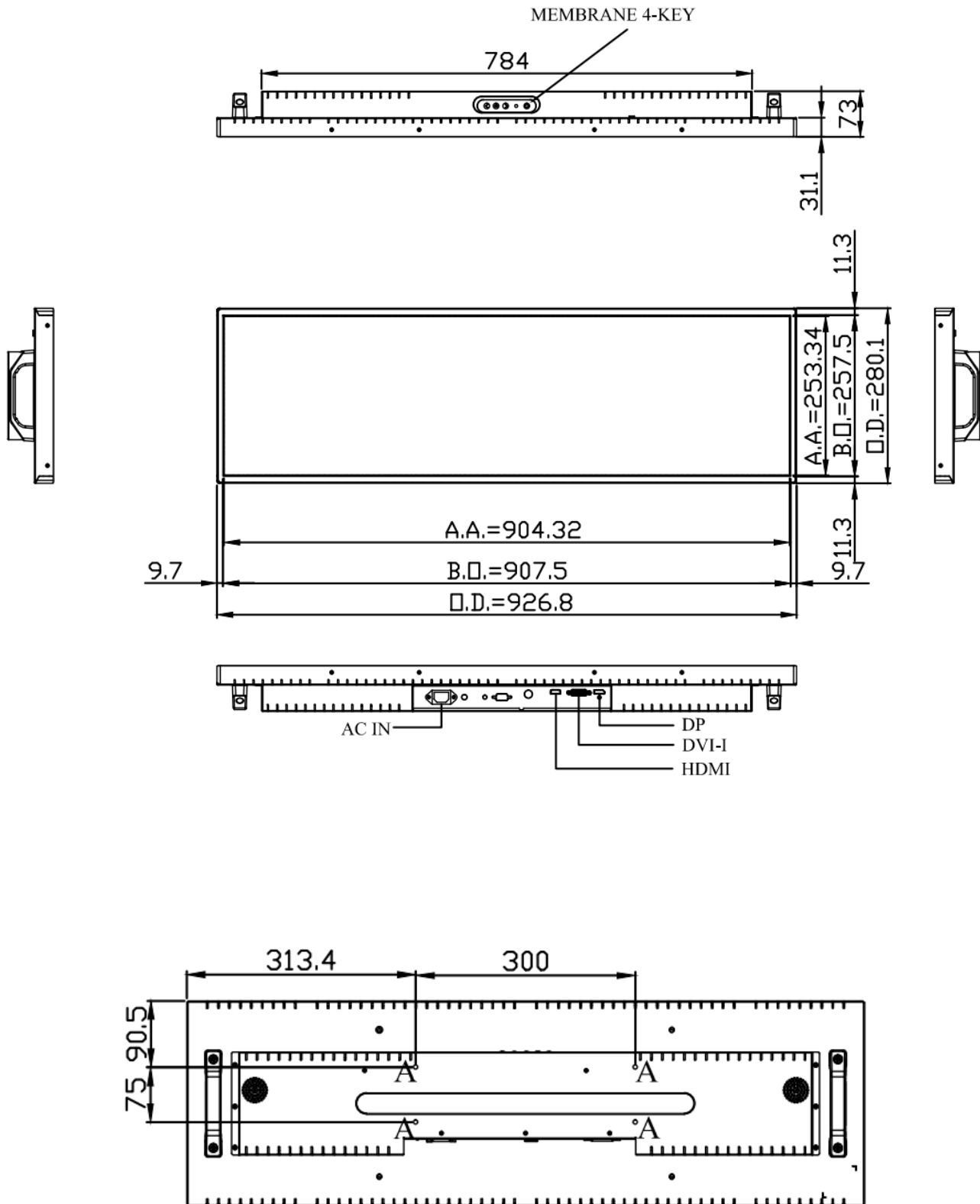
- Ultra-Wide Screen (16 : 4.5)
- High Brightness 1000 nits
- Sunlight Readable
- LED Backlight
- LCD blacking defect free (Hi-Tni 110 °C)
- Slim Bezel
- BL MTBF: 70,000 hours

SPECIFICATIONS

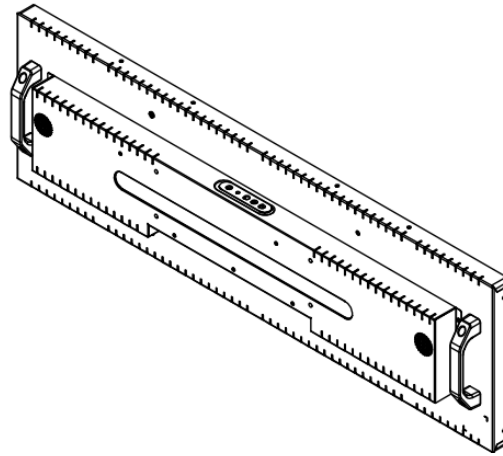
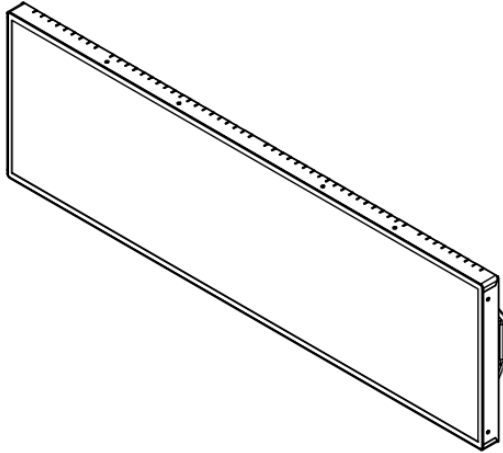
Model No.	SSD3705-Y V2
Description	37" LCD, 1000 nits LED backlight, 1920x540
Screen Size	37"
Display Area (mm)	904.32(H) x 254.34(V)
Brightness	1000cd/m ²
Resolution	1920 x 540
Aspect Ratio	16 : 4.5
Contrast Ratio	5600 : 1
Pixel Pitch (mm)	0.47(H) x 0.47(V)
Pixel Per Inch (PPI)	54
Viewing Angle	178°(H), 178°(V)
Color Saturation (NTSC)	84%
Display Colors	16.7M
Response Time (Typical)	6.5ms
Panel Interface	DVI-I , HDMI, DP
Input Power	AC100~240V
Power Consumption	63W
OSD Key	4 Keys (Power Switch, Menu, +, -)
OSD Control	Brightness, Color, Contrast, Auto Turing, H/V Position...etc
Dimensions (mm)	926.8x 280.1 x 73
Bezel Size(U/B/L/R)	13.3/13.3/9.7/9.7 mm
Weight (Net)	9.3 kg
Mounting	VESA 300x75
Operating Temperature	0 °C ~ 50 °C
Storage Temperature	-20 °C ~ 60 °C

*Specifications are subject to change without notice. **All brands or product names are trademarks or registered trademarks of their respective companies.

SSD= Panel+ LED Driving Board + AD Control Board + Chassis



MECHANICAL DRAWING Unit: mm



Note :
O.D : Outline Dimension(mm)
B.O : Bezel Opening
A.A : LCD Active Area
A:4-M6_USER HOLE_MAX DEPTH=6mm