

KEY FEATURES

- esi ing LCD
- ltra-Wide Screen (16 4.5)
- High Brightness 1000 nit
- LED Back light
- High Color Saturation
- Wide viewing angle 178 (H) 178 (V)
- Low Power Consumption
- BL MTBF 100,000 hours

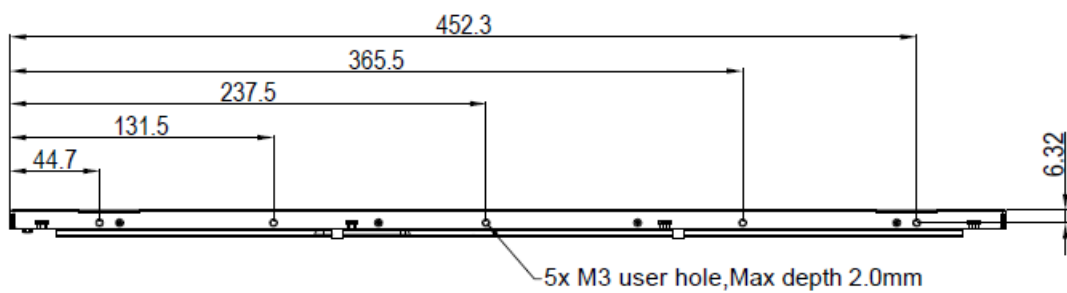
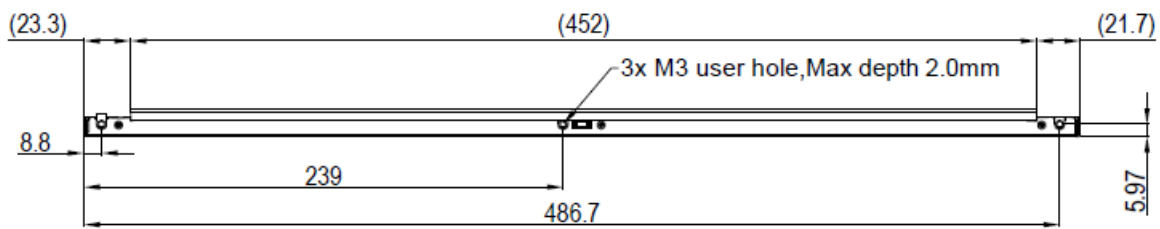
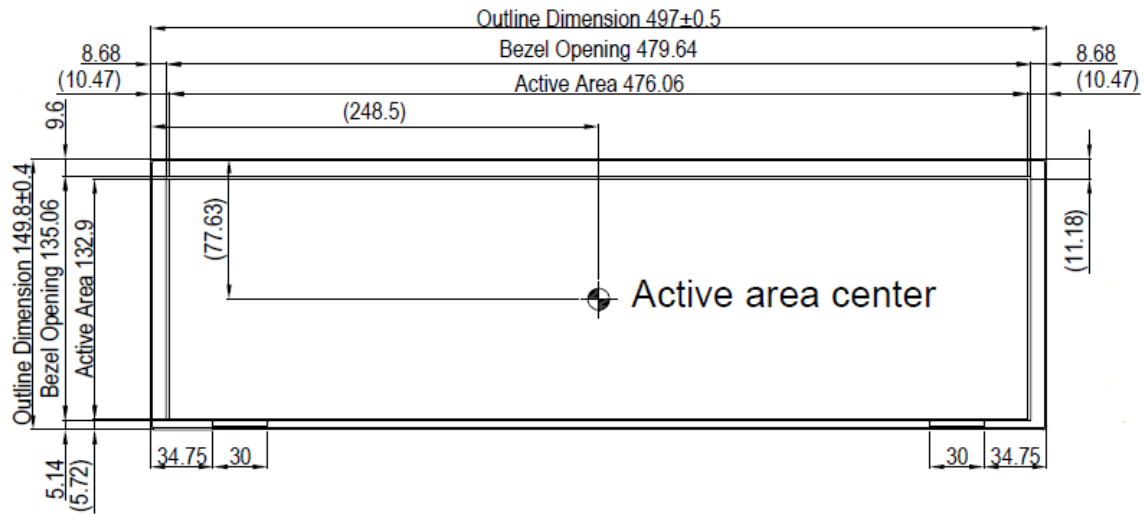
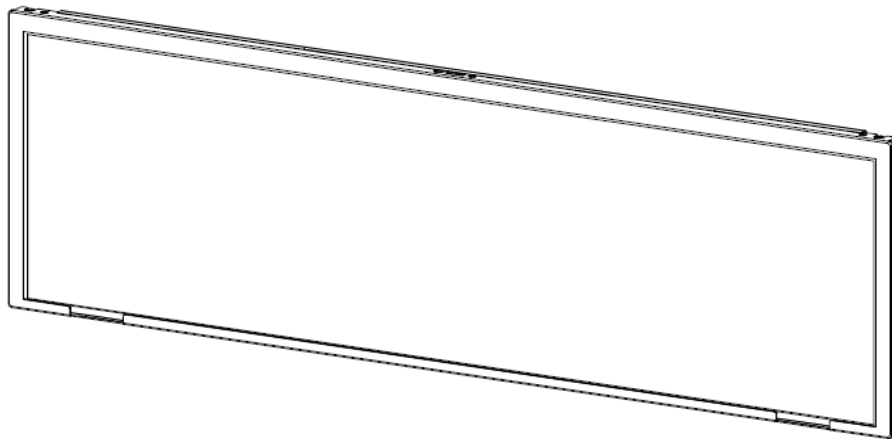
SPECIFICATIONS

| | |
|-------------------------|----------------------------------|
| Model No. | 000 |
| Description | 00000000000000000000000000000000 |
| Display Area (mm) | 00 |
| Brightness | 1000 cd/m ² |
| Resolution | 0 |
| Aspect Ratio | 16 : 0 |
| Contrast Ratio | 0 0 : 1 |
| Pixel Pitch (mm) | 0.248(H) x 0.248(V) |
| Pixel Pre Inch (PPI) | 100 |
| Viewing Angle | 178°(H),178°(V) |
| Color Saturation (NTSC) | 0% |
| Display Colors | 16.7M |
| Response Time (Typical) | 0ms |
| Video Interface (SSF) | 0 |
| 00000 | 00 |
| 000000000000 | 0 |
| 0000000000 | 0 |
| 00000000 | 0 |
| 00000000 | 0 |
| 00 | 000000000000 |
| 000000 | 00000000000000000000000000000000 |
| Operating Temperature | 0°C~50°C |
| Storage Temperature | -20°C~60°C |

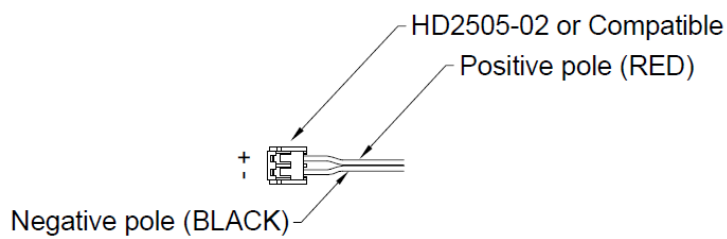
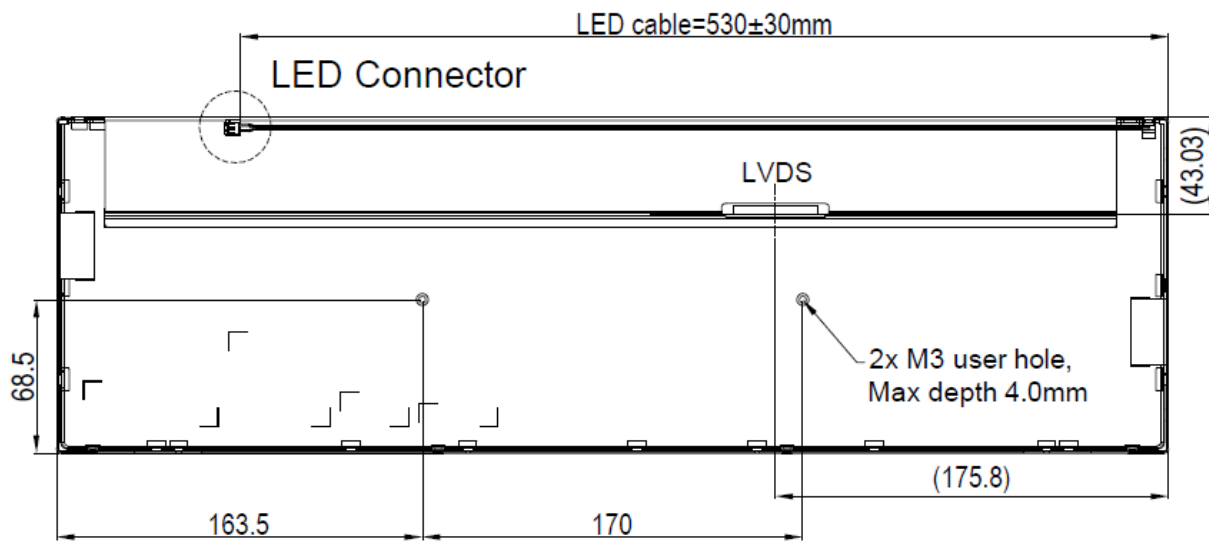
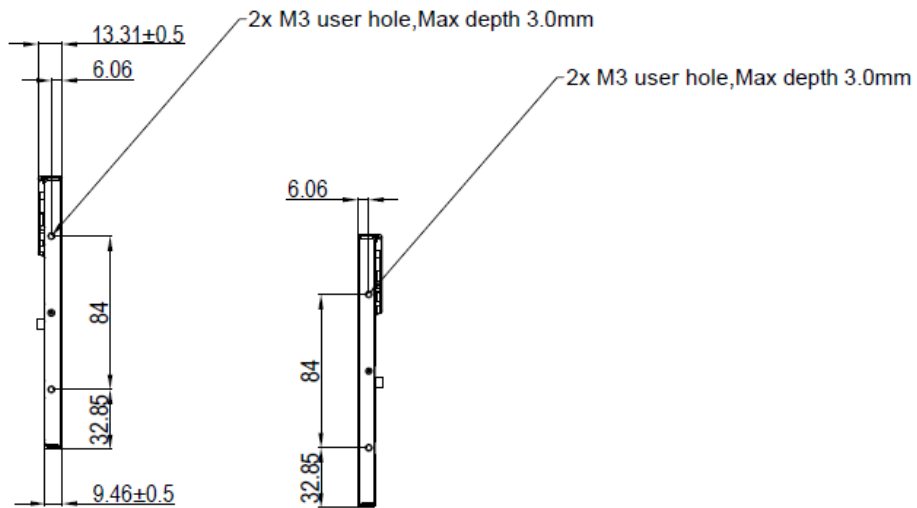
*Specifications are subject to change without notice. **All brands or product names are trademarks or registered trademarks of their respective companies.

SSF= Panel+LED Driving Board • SSH= Panel+ LED Driving Board + AD Control Board

MECHANICAL DRAWING Unit: mm



MECHANICAL DRAWING Unit: mm



Note:

1. Resolution: 1920x536
2. Tolerance is ± 0.5 mm unless noted
3. "()" marks the reference dimensions