

SSD2312-Y V1

23.1" TFT LCD, 350 nits LED backlight



The SSD2312 is a 23.1 inch industrial grade sunlight readable LCD, with a high brightness of 350 nits. It has high color saturation, produces sharp images, and shows crisp text and lifelike colors. The Spanpixel LED backlight technology ensures high reliability and low power consumption, suitable for outdoor applications such as kiosks, factory automation, military, transportation and gaming.

KEY FEATURES

- Ultra-Wide Screen (16 : 1.3)
- Brightness 350 nits
- LED Backlight
- Wide viewing angle 178°(H)~ 178°(V)
- Low Power Consumption
- Wi-Fi 802.11 b/g/n



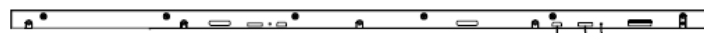
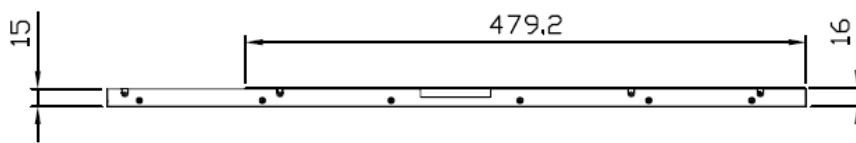
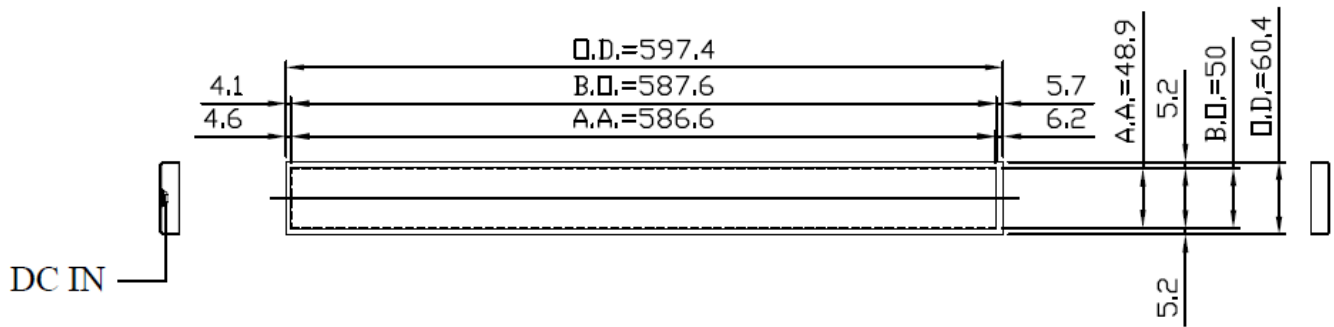
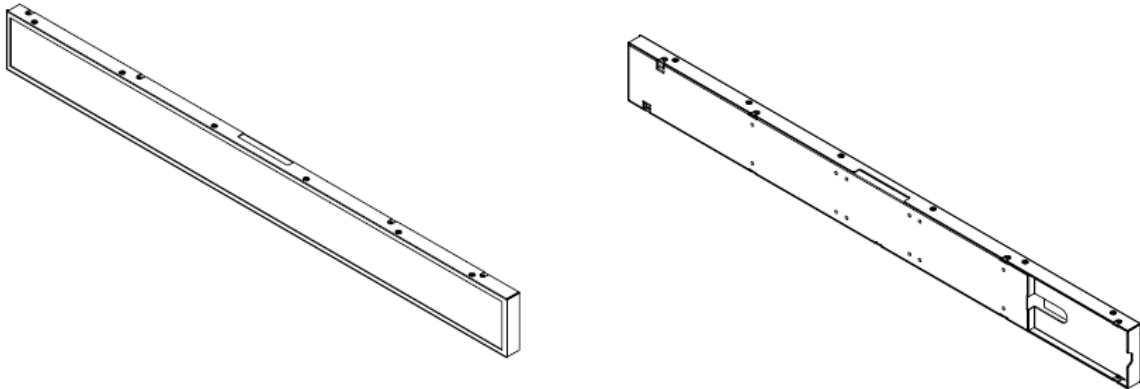
SPECIFICATIONS

Model No.	SSD2312-Y
Description	23.1" Resizing LCD, 300nits LED backlight, 1920x158
Screen Size	23.1"
Display Area (mm)	585.6(H) x 48.19(V)
Brightness	350 cd/m ²
Resolution	1920x158
Aspect Ratio	16 : 1.3
Contrast Ratio	3000 : 1
Pixel Pitch (mm)	0.305(H) x 0.305(V)
Pixel Per Inch (PPI)	83
Viewing Angle	178°(H), 178°(V)
Color Saturation (NTSC)	72%
Display Colors	16.7M
Response Time (Typical)	9.5ms
Media Player Card Interface	Micro-USB, Micro-SD card
Input Power	DC12V
Power Consumption	15W
Dimensions (mm)	597.4x 60.4 x 14.5
Bezel Size(U/B/L/R)	5.2/5.2/4.1/5.7
Weight (Net)	0.8kg
Operating Temperature	0 °C ~ 45 °C
Storage Temperature	-20 °C ~ 60 °C

*Specifications are subject to change without notice. All brands or product names are trademarks or registered trademarks of their respective companies.

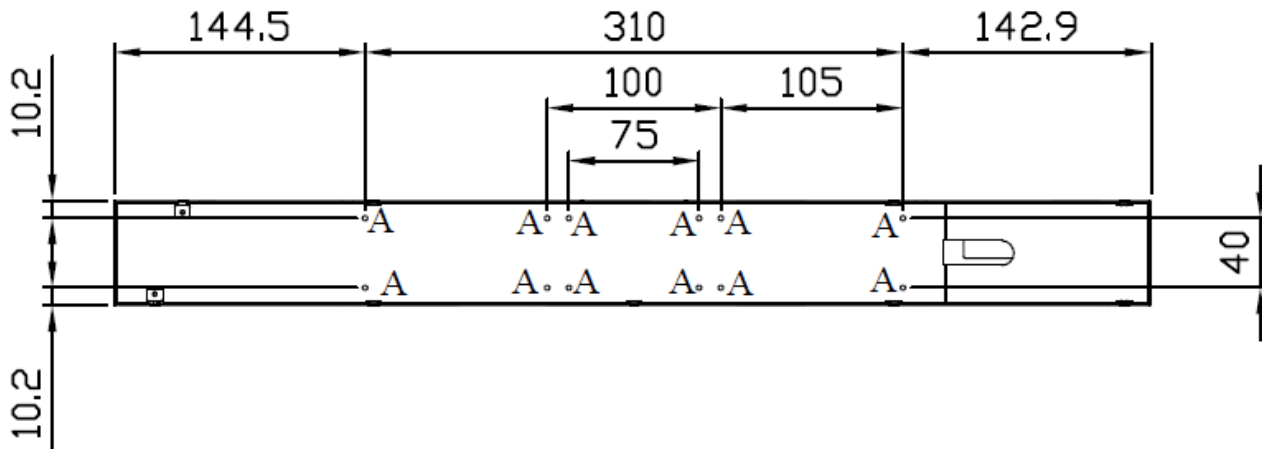
SSD= Panel+ LED Driving Board + Control Board + Housing

MECHANICAL DRAWING Unit: mm



- RESET
- CD CARD
- MICRO USB

MECHANICAL DRAWING Unit: mm



Note :

O.D : Outline Dimension

B.O : Bezel Opening

A.A : LCD Active Area

A:12-M3_USER HOLE_MAX DEPTH=3mm