

DLD1567-A V2

15.6" TFT LCD, LED Backlight 1400nits, FHD (1920x1080)

The DLD1567-A is a 15.6 inch industrial grade sunlight readable LCD, with a high brightness of 1400 nits and high color saturation. It produces sharp images, crisp text and lifelike colors. The Durapixel LED backlight technology ensures high reliability and low power consumption, suitable for outdoor applications like kiosks, factory automation, military, transportation and gaming applications.



KEY FEATURES

- High Brightness 1400 nits
- Sunlight Readable
- LED Backlight
- Low Power Consumption
- Wide range temperature
- BL MTBF: 100,000 hours

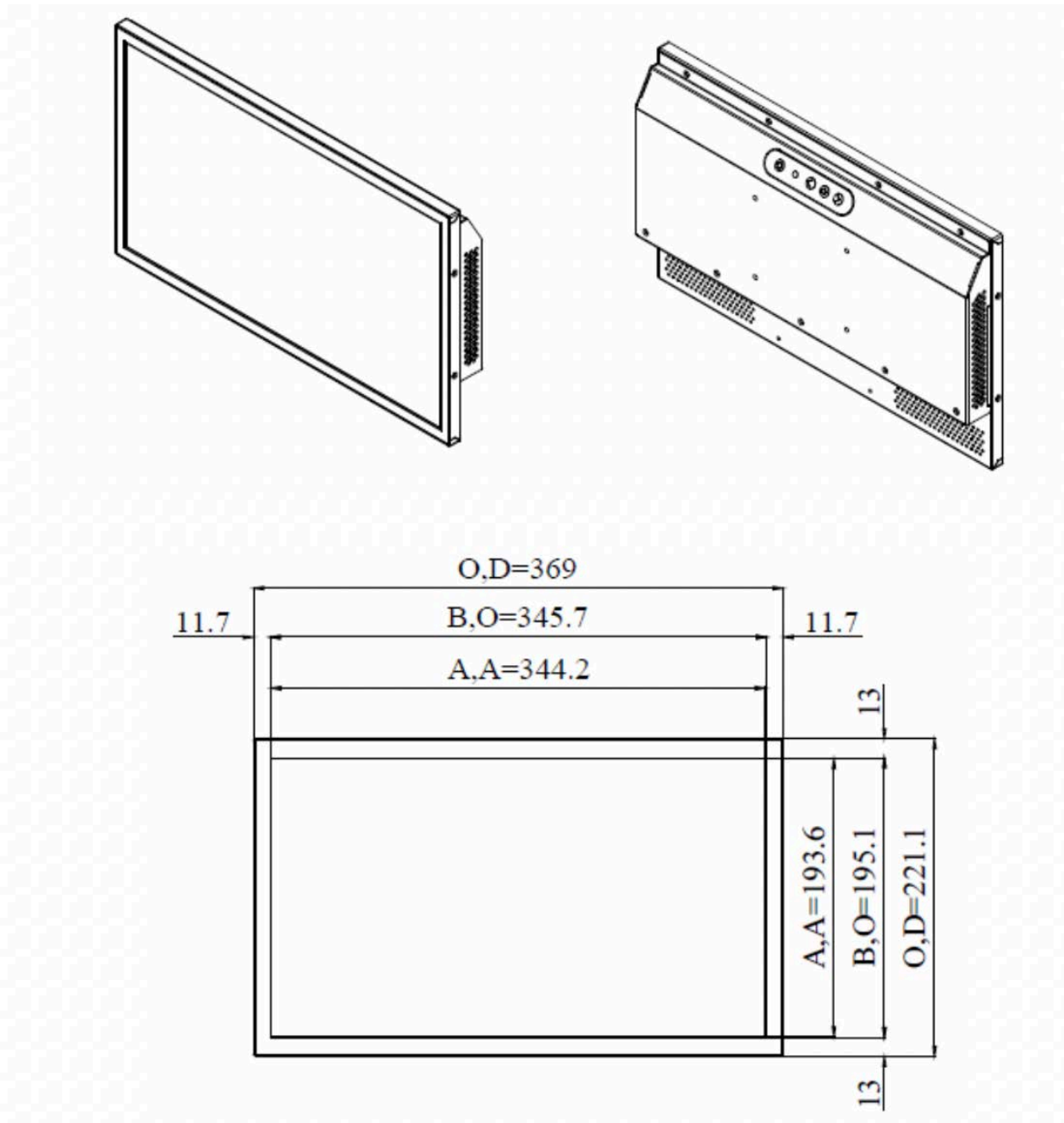
SPECIFICATIONS

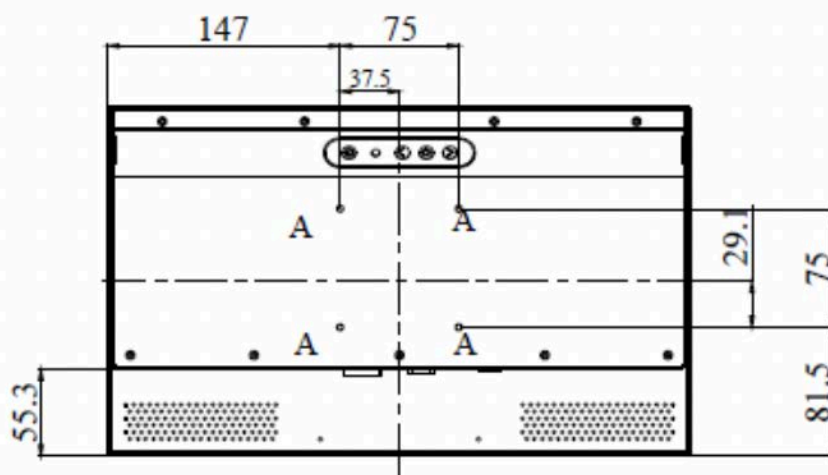
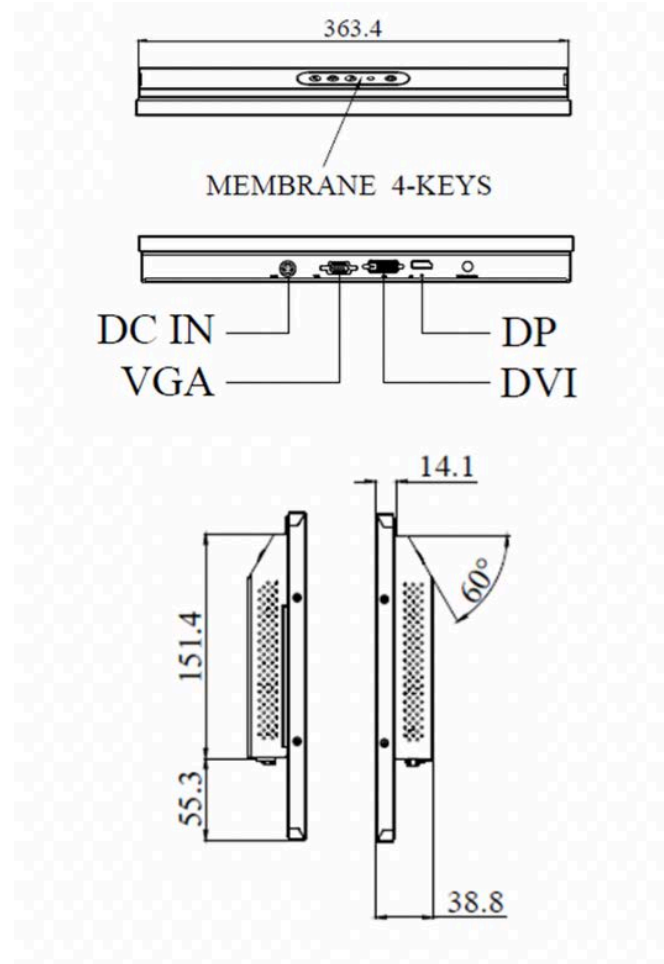
Model No.	DLD1567-A V2
Description	15.6" TFT LCD, LED Backlight 1400 nits, FHD (1920x1080)
Display Area (mm)	344.16(H) x 193.59(V)
Brightness	1400 cd/m ²
Resolution	1920x1080
Aspect Ratio	16 : 9
Contrast Ratio	1000 : 1
Pixel Pitch (mm)	0.17925(H) x 0.17925(V)
Pixel Pre inch (PPI)	141
Viewing Angle	178°(H), 178°(V)
Color Saturation (NTSC)	84%
Display Colors	16.2M
Response Time (Typical)	25ms
Panel Interface	eDP
AD Board Input Interface	VGA,DVI, DP
Input Power	DC12V
Power Consumption	23.64W
Dimensions (mm)	369 x 221.1 x 38.8
Weight (Net)	2.8kg
OSD Key	4 Keys (Power Switch, Menu, +, -)
OSD Control	Brightness, Color, Contrast, Auto Turing, H/V Position...etc
Bezel Size (U/B/L/R)	13/13/11.7/11.7 mm
Mounting	75x75
Operating Temperature	0 °C ~ 50 °C
Storage Temperature	-20 °C ~ 60 °C

*Specifications are subject to change without notice. **All brands or product names are trademarks or registered trademarks of their respective companies.

DLD= Panel + LED Driving Board + AD Control Board + Housing

MECHANICAL DRAWING Unit: mm





NOTE :

- O.D. : OUTLINE DIMENSION
- B.O. : BEZEL OPENING
- A.A. : LCD ACTIVE AREA
- A : 4-M4_USER HOLE_MAX Depth=4mm