

DLD 4308-L V1

43" TFT LCD, LED Backlight 1600nits, FHD (1920x1080)

The DLD4308-L is a 43 inch industrial grade sunlight readable LCD with a high brightness of 1600 nits. Its high color saturation produces sharp images, crisp text, and lifelike colors. The Durapixel LED backlight technology ensures high reliability and low power consumption, suitable for outdoor, kiosk, factory automation, military, transportation, gaming applications, and so much more.



KEY FEATURES

- High Brightness 1600 nits
- Sunlight Readable
- LED Backlight
- Low Power Consumption
- LCD Blacking Defect Free(Hi-Tni 110°C)
- BL MTBF: 100,000 hours

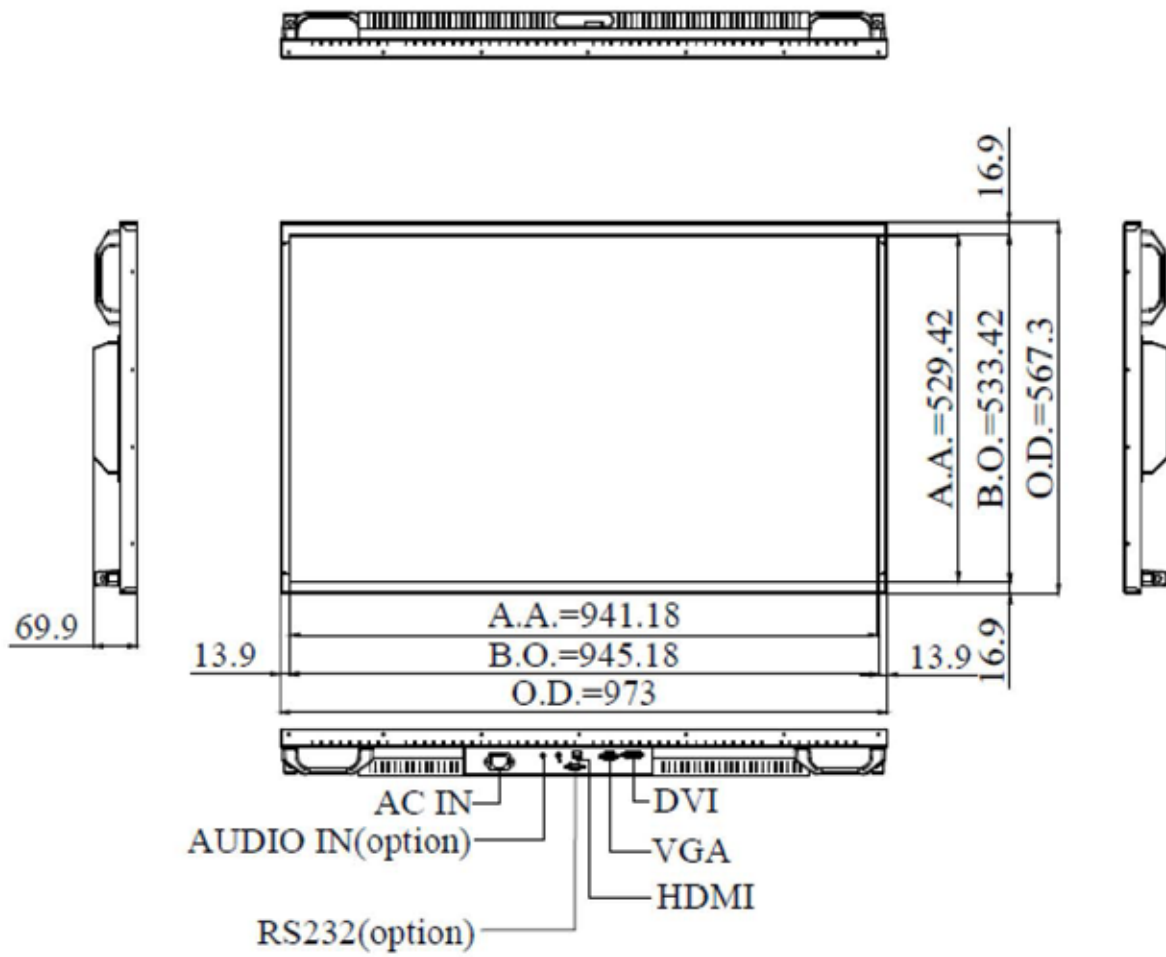
SPECIFICATIONS

Model No.	DLD4308-L V1
Description	43" TFT LCD, LED Backlight 1600 nits, FHD (1920x1080)
Display Area (mm)	941.18(H) x 529.42(V)
Brightness	1600 cd/m ²
Resolution	1920 x 1080
Aspect Ratio	16 : 9
Contrast Ratio	1400:1
Pixel Pitch (mm)	0.49(H) x 0.49(V)
Pixel Pre Inch (PPI)	51
Viewing Angle	178°(H), 178°(V)
Color Saturation (NTSC)	82%
Display Colors	16.7M
Response Time (Typical)	12 ms (Typical)
Panel Interface	LVDS
AD Board Input Interface	VGA, DVI-D, HDMI
Input Power	AC100~240V
Power Consumption	109W
OSD Key	4 Keys (Power Switch, Menu, +, -)
OSD Control	Brightness, Color, Contrast, Auto Turing, H/V Position...etc
Dimensions (mm)	973 x 567.3 x 69.9
Bezel Size(U/B/L/R)	16.9/16.9/13.9/13.9 mm
Mounting	400x100 mm
Weight (Net)	17.8 kg
Operating Temperature	0 °C ~ 50 °C
Storage Temperature	-20 °C ~ 60 °C

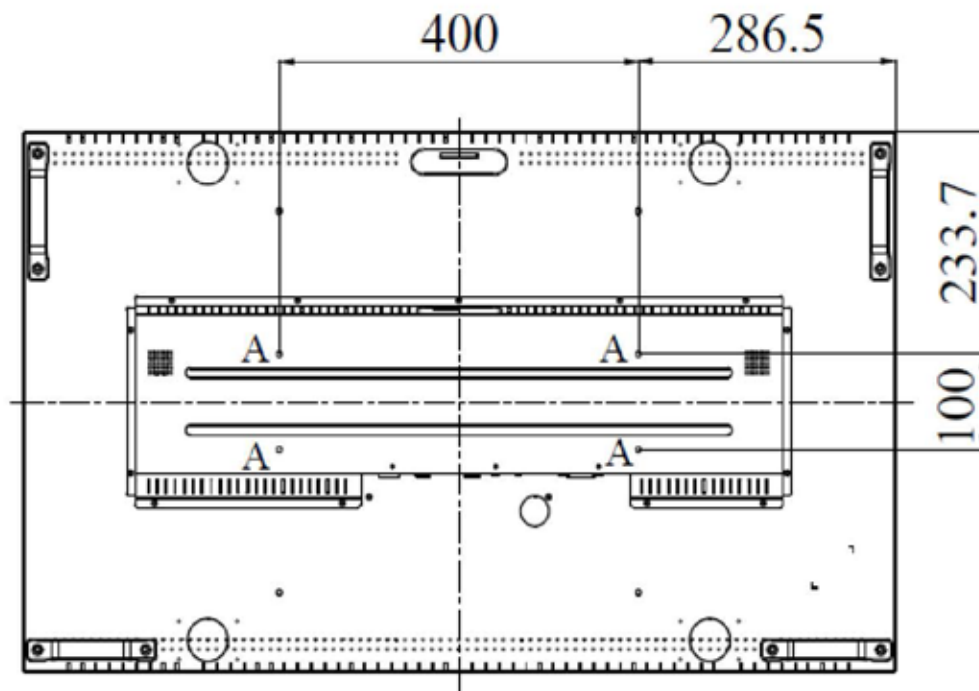
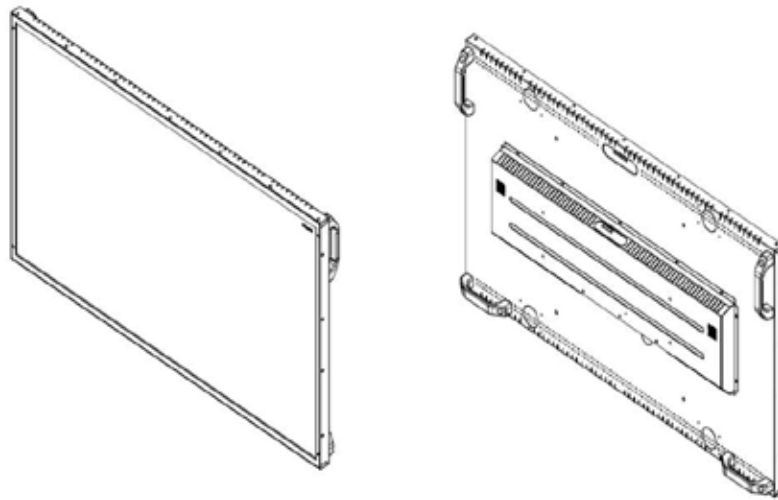
*Specifications are subject to change without notice. **All brands or product names are trademarks or registered trademarks of their respective companies.

DLD= Panel + LED Driving Board + AD Control Board + Housing

MECHANICAL DRAWING Unit: mm



MECHANICAL DRAWING Unit: mm



NOTE :

O.D. : OUTLINE DIMENSION

B.O. : BEZEL OPENING

A.A. : LCD ACTIVE AREA

A : 4-M6_USER HOLE_MAX. DEPTH=6 mm