

SSD4315-C V1

43.1" Resizing LCD, 1000 nits LED Backlight , 1920x358 ultra-wide aspect ratio 16:3

The SSD4315-C V1 is a 43.1 inch color TFT-LCD display with a unique aspect ratio of 16:3 and a wide resolution of 1920 x 358. It is part of Litemax's Spanpixel series and has a high brightness of 1000 nits with power efficiency LED backlights. This LCD is great for applications like digital signage, public transportation, exhibition hall, department store, vending machines, and so much more!



KEY FEATURES

- Resizing LCD
- Ultra-Wide Screen (16 : 3)
- High Brightness 1000 nits
- LED Backlight
- Low Power Consumption
- BL MTBF: 100,000 hours

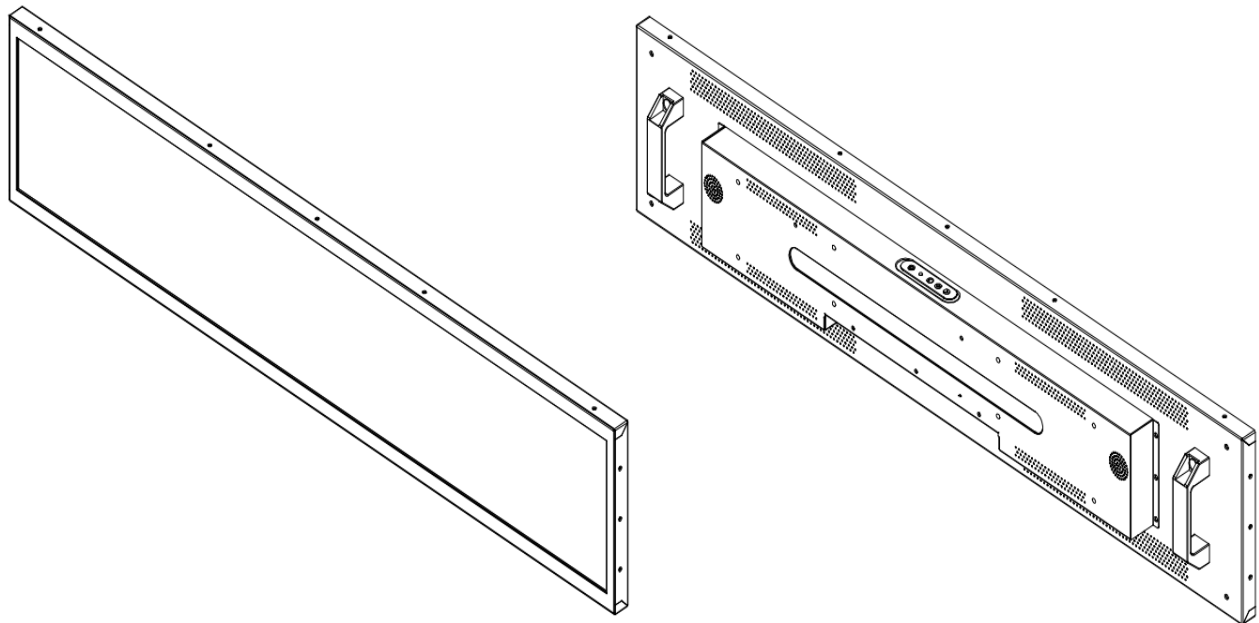
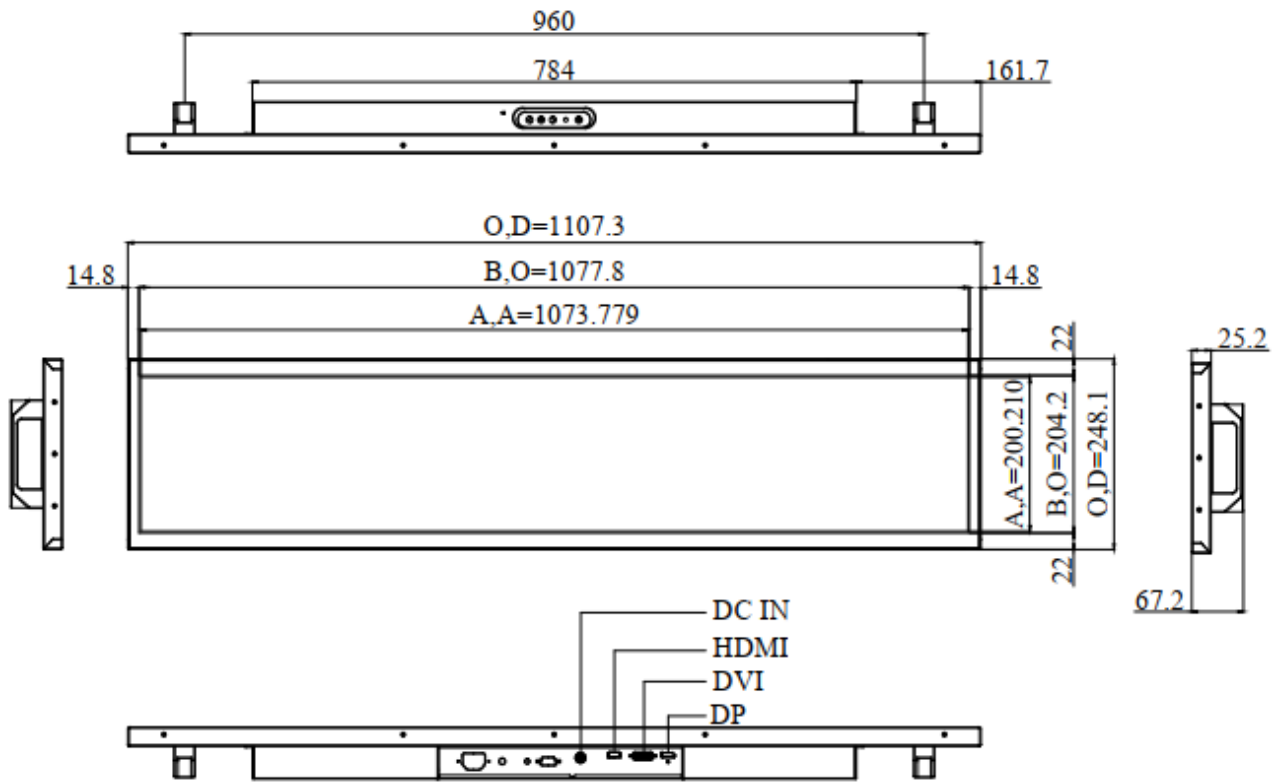
SPECIFICATIONS

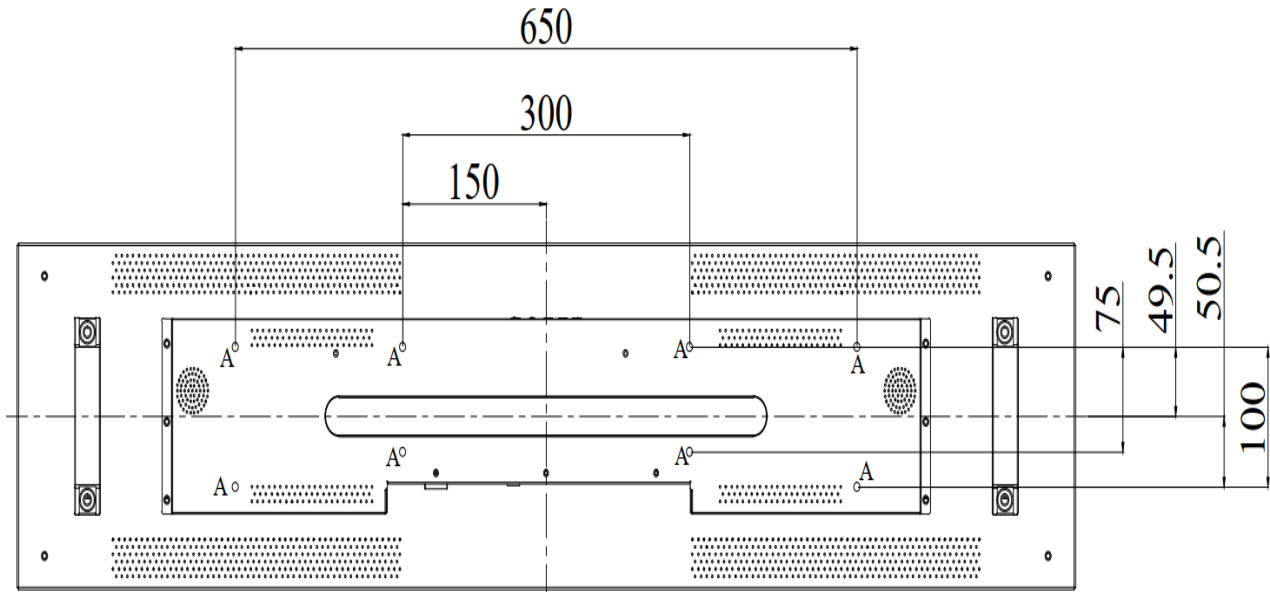
Model No.	SSD4315-C V1
Description	43.1" Resizing LCD, 1000 nits LED backlight, 1920x358
Display Area (mm)	1073.779(H) x 200.210(V)
Brightness	1000 cd/m ²
Resolution	1920x358
Aspect Ratio	16 : 3
Contrast Ratio	5750 : 1
Pixel Pitch (mm)	0.559(H) x 0.559(V)
Pixel Pre Inch (PPI)	45
Viewing Angle	178°(H), 178°(V)
Color Saturation (NTSC)	83%
Display Colors	16.7M
Response Time (Typical)	6.5ms
Panel Interface	LVDS
AD Board Input Interface	DVI,HDMI,DP
Input Power	DC 12V
Power Consumption	39W
Dimensions (mm)	1107.3(H) x 248.1(V) x 67.2 (T)
Bezel Size(U/B/L/R)	22/22/14.8/14.8 mm
Mounting	650x100 , 300x75
Weight (Net)	9.1kg
OSD Key	4 Keys (Power Switch, Menu, +, -)
OSD Control	Brightness, Color, Contrast, Auto Turing, H/V Position...etc
Operating Temperature	0 °C ~ 50 °C
Storage Temperature	-20 °C ~ 60 °C

*Specifications are subject to change without notice. **All brands or product names are trademarks or registered trademarks of their respective companies.

SSD= Panel+ LED Driving Board + AD Control Board + Housing

MECHANICAL DRAWING Unit: mm





NOTE :

O.D. : OUTLINE DIMENSION

B.O. : BEZEL OPENING

A.A. : LCD ACTIVE AREA

A : 4-M6_USER HOLE_MAX Depth=8mm