

SSD4805-YNU

48" TFT LCD, LED Backlight 1000nits, 3840x720

The SSD4805-YNU is a 48 inch color TFT-LCD display with an aspect ratio of 16:3 and wide resolution of 3840 x 720. It is a part of Litemax's Spanpixel series which was designed for high brightness with power efficiency LED backlights. This display provides an LCD panel that is sunlight readable for digital signage, public transportation, exhibition hall, department store, vending machine, and many other outdoor applications.



KEY FEATURES

- High Brightness 1000nits
- Sunlight Readable
- Aspect ratio 16:3
- LED Backlight
- Wide Viewing Angle

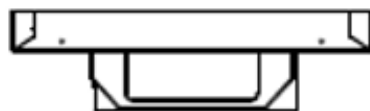
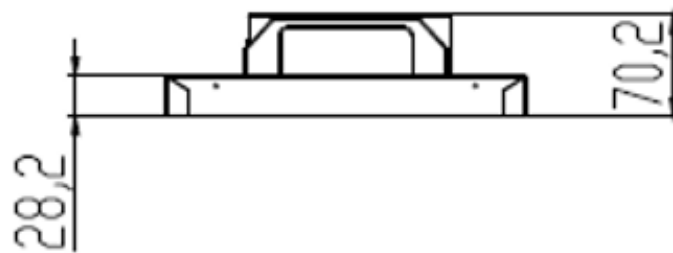
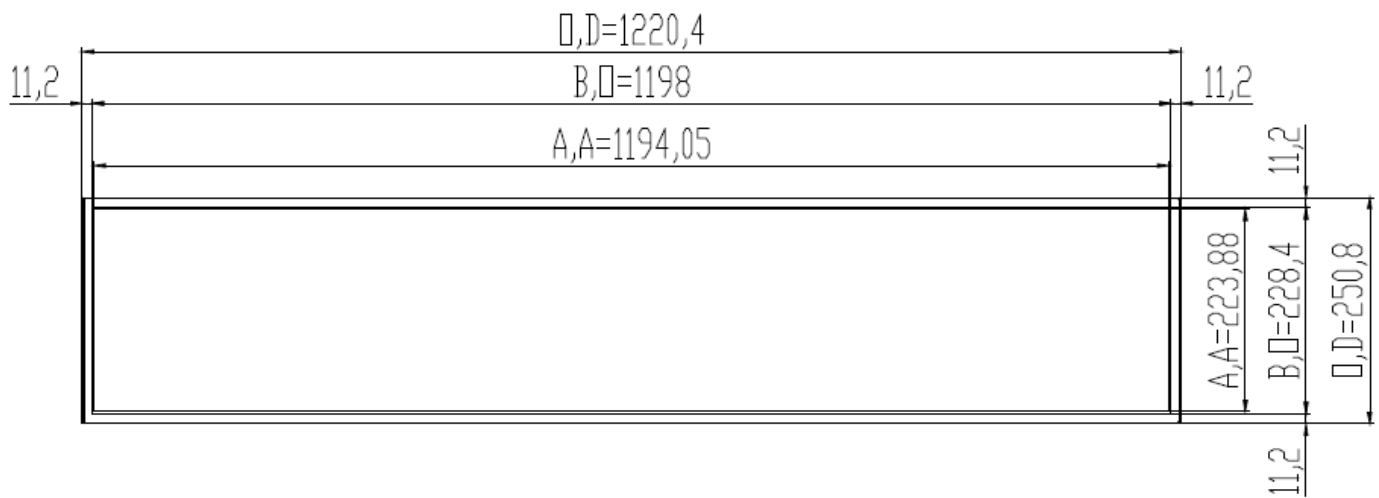
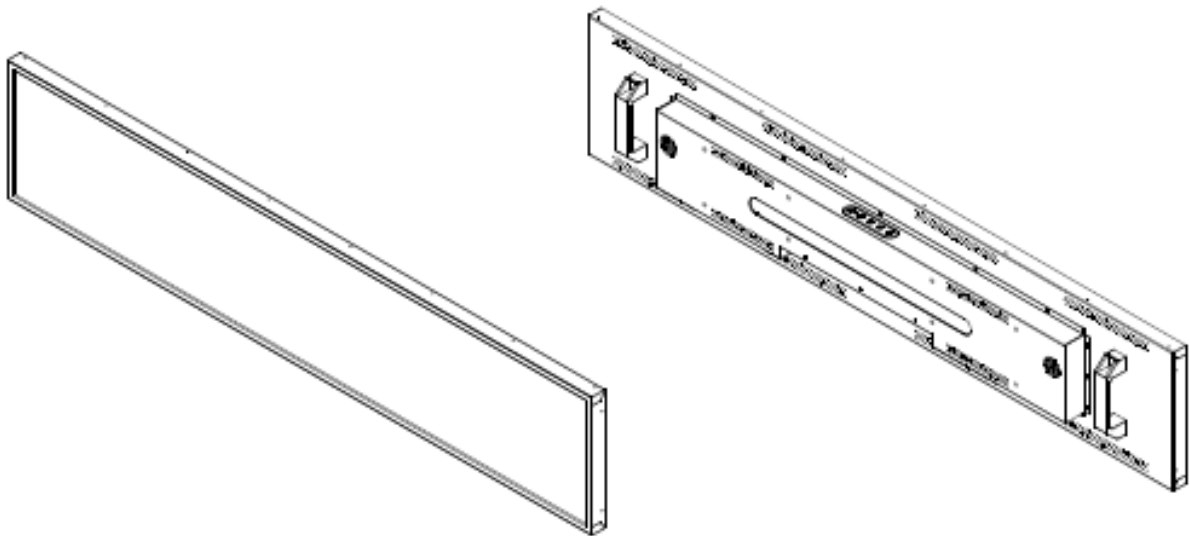
SPECIFICATIONS

Model No.	SSD4805-YNU V1
Description	48" TFT LCD, 1000nits LED Backlight, 3840x720
Display Area (mm)	1194.05(H) x 223.88(V)
Brightness	1000 cd/m ²
Resolution	3840x720
Aspect Ratio	16 : 3
Contrast Ratio	1200 : 1
Pixel Pitch (mm)	0.31095(H) x 0.31095(V)
Pixel Pre Inch (PPI)	81
Viewing Angle	178°(H), 178°(V)
Color Saturation (NTSC)	83%
Display Colors	16.7M
Response Time (Typical)	10ms
Panel Interface	V-by-One
AD Board Input Interface	DVI, HDMI, DP
Input Power	AC 100~240V
Power Consumption	98W
Dimensions (mm)	1220.4x250.8x70.2
Bezel Size(U/B/L/R)	11.2/11.2/11.2/11.2 mm
Weight (Net)	9.2 kg
Mounting	300x75, 650x100
OSD Key	5 Keys (Power Switch, Menu, +,Exit, -)
OSD Control	Brightness, Color, Contrast, Auto Turing, H/V Position...etc
Operating Temperature	0 °C ~ 50 °C
Storage Temperature	-20 °C ~ 60 °C

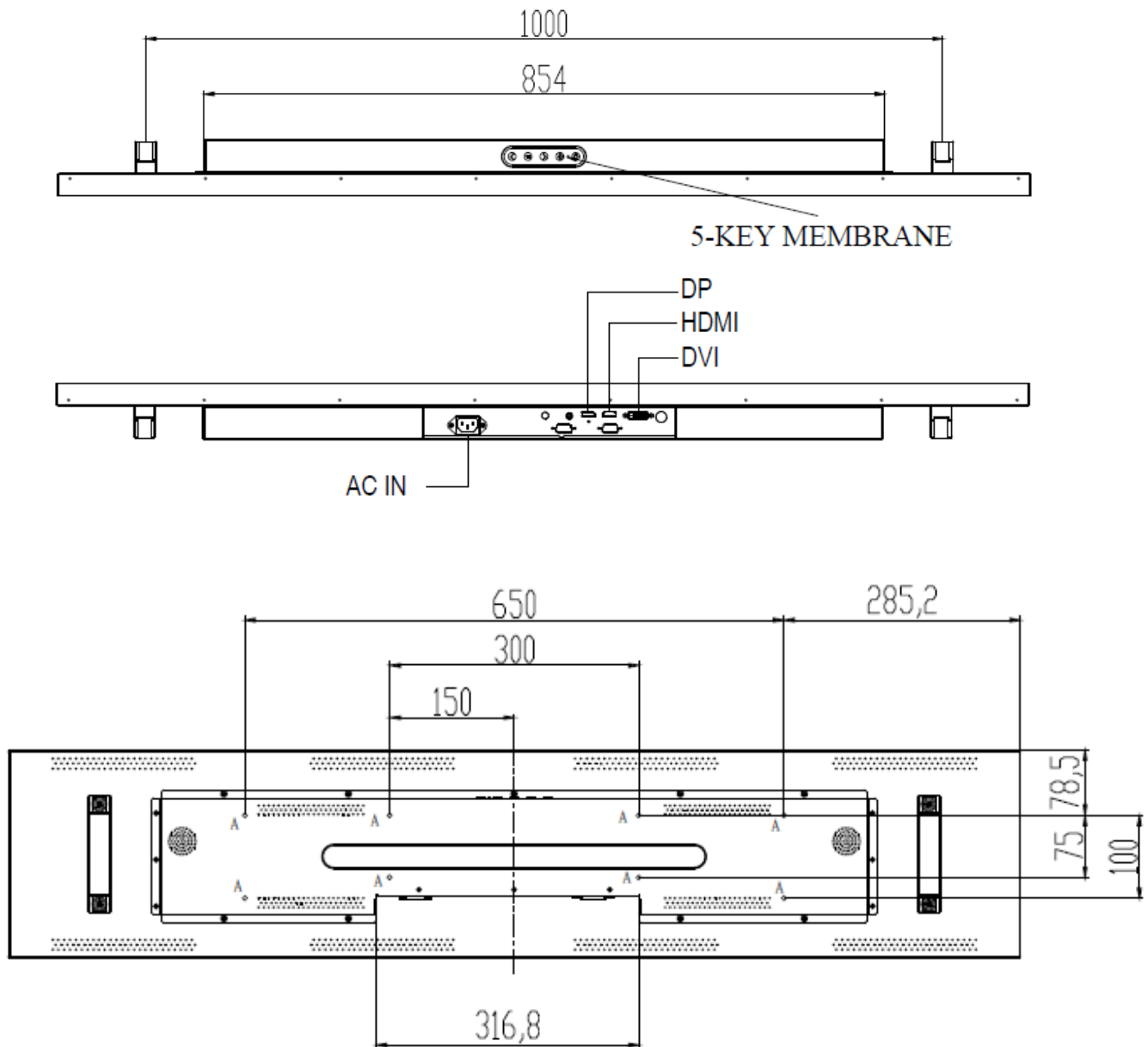
*Specifications are subject to change without notice. **All brands or product names are trademarks or registered trademarks of their respective companies.

SSD= Panel + LED Driving Board + AD Control Board + Chassis

MECHANICAL DRAWING Unit: mm



MECHANICAL DRAWING Unit: mm



Note:

O.D : Outline Dimension

B.O : Bezel Opening

A.A : LCD Active Area

A:8-M6 USER HOLE _MAX. DEPTH=8mm