

DLD1215-I V1

12.1" TFT LCD, LED Backlight 1000nits, 1024x768

The DLD1215-I is a 12.1 inch industrial grade sunlight readable LCD with a high brightness of 1000 nits. It produces sharp images, crisp text, and lifelike colors. The Durapixel LED backlight technology ensures high reliability and low power consumption, suitable for outdoor, kiosk, factory automation, military, transportation, gaming applications, and so much more.



KEY FEATURES

- High Brightness 1000 nits
- Sunlight Readable
- Wide Operating Temp.
- Wide Viewing Angle of 178°(H), 178°(V)
- Low Power Consumption
- BL MTBF: 100,000 hours

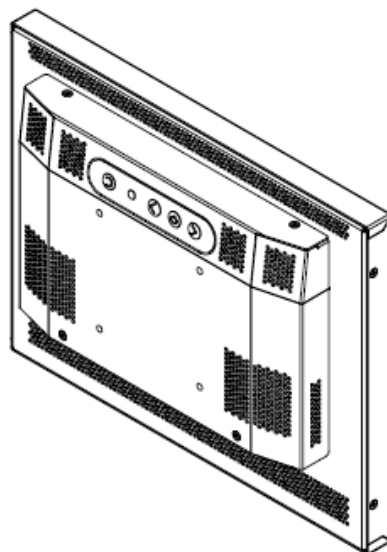
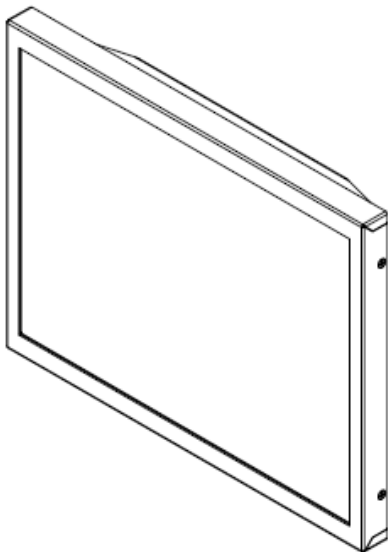
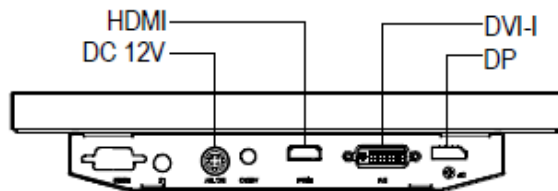
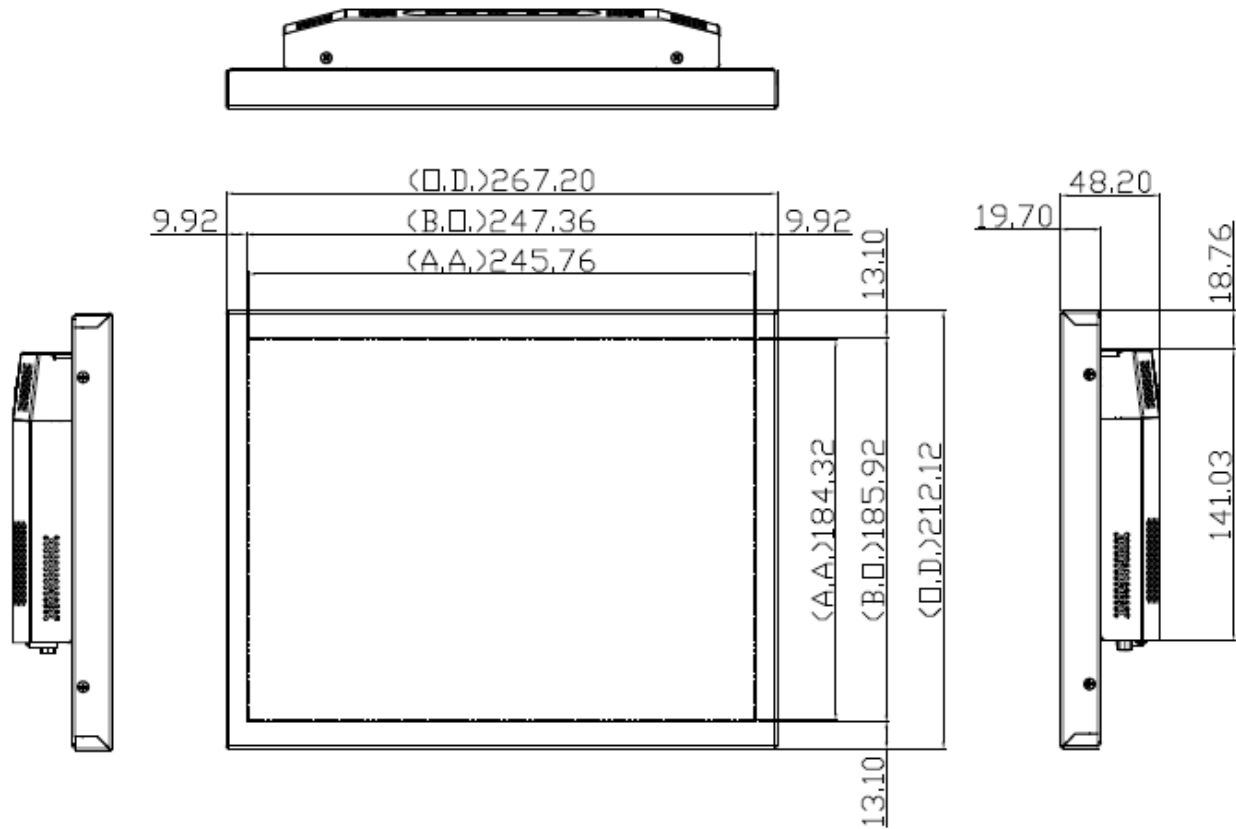
SPECIFICATIONS

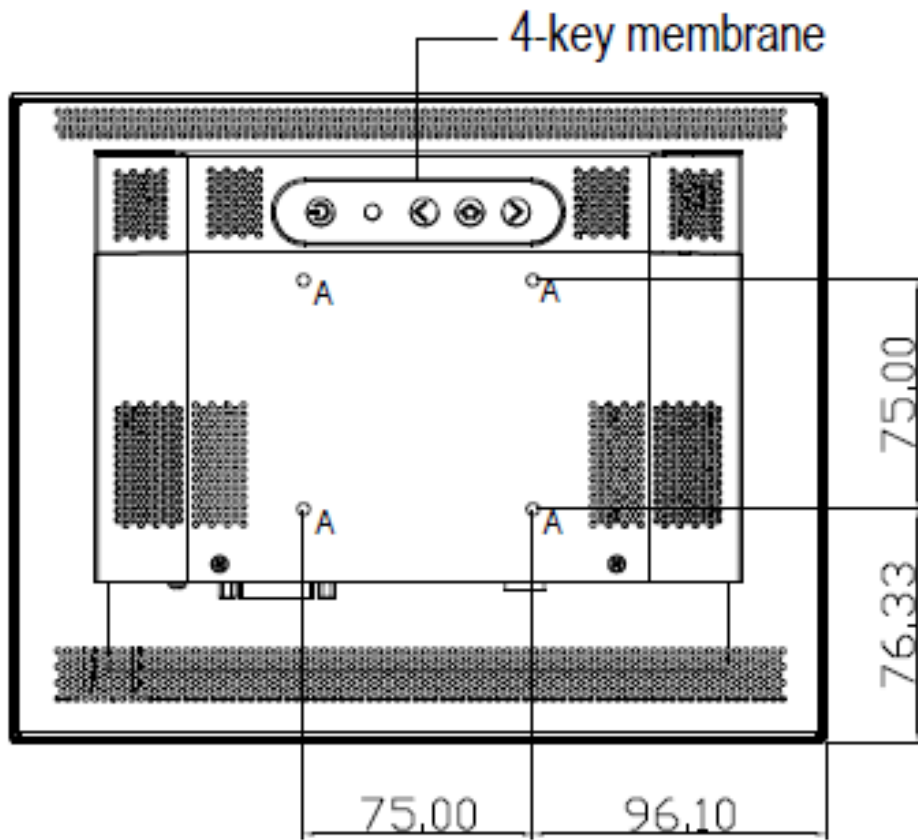
Model No.	DLD1215-I V1
Description	12.1" TFT LCD, LED Backlight 1000 nits, 1024x768
Display Area (mm)	245.76(H) x 184.32(V)
Brightness	1000 cd/m ²
Resolution	1024x768
Aspect Ratio	4:3
Contrast Ratio	1200 : 1
Pixel Pitch (mm)	0.24(H) x 0.24(V)
Pixel Per Inch (PPI)	106
Viewing Angle	178°(H),178°(V)
Color Saturation (NTSC)	82%
Display Colors	16.7M
Response Time (Typical)	25ms
Panel Interface	LVDS
AD Board Input Interface	DVI, HDMI,DP
AD Board Input Power	DC12V
Power Consumption	14.8W
OSD Key	4 Keys (Power Switch, Menu, +, -)
OSD Control	Brightness, Color, Contrast, Auto Turing, H/V Position...etc
Dimensions (mm)	267.2 x 212.12 x 48.2
Bezel Size(U/B/L/R)	13.1/13.1/9.92/9.92
Mounting	75x75mm
Weight (Net)	1.5 kg
Operating Temperature	-30 °C ~ 85 °C
Storage Temperature	-40 °C ~ 90 °C

*Specifications are subject to change without notice. **All brands or product names are trademarks or registered trademarks of their respective companies.

DLD= Panel + LED Driving Board + AD Control Board + Housing

MECHANICAL DRAWING Unit: mm





Note :

- O.D. : OUTLINE DIMENSION
- B.O. : BEZEL OPENING
- A.A. : LCD ACTIVE AREA
- A : 4-M4_USER HOLE_MAX Depth=5mm