

DLD1219-A V1

12.1" TFT LCD, LED Backlight 1800nits, 1280x800

The DLD1219-A is a 12.1 inch industrial grade sunlight readable LCD with a high brightness of 1800 nits. It produces sharp images, crisp text, and lifelike colors. The Durapixel LED backlight technology ensures high reliability and low power consumption, suitable for outdoor, kiosk, factory automation, military, transportation, gaming applications, and so much more.



KEY FEATURES

- High Brightness 1800 nits
- Sunlight Readable
- Wide Operating Temp.
- Wide Viewing Angle of 178°(H), 178°(V)
- Low Power Consumption
- BL MTBF: 100,000 hours

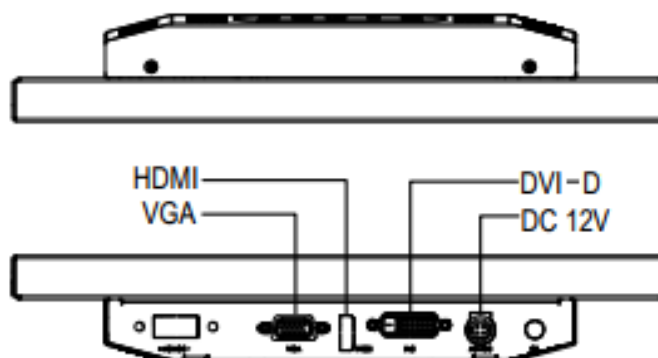
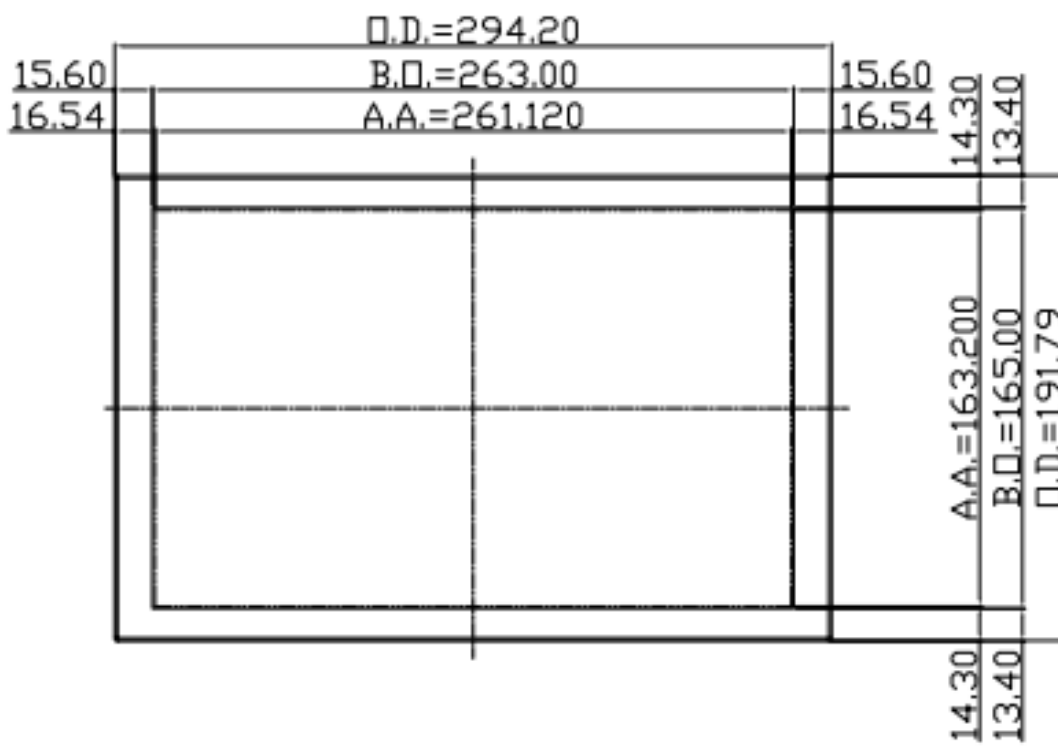
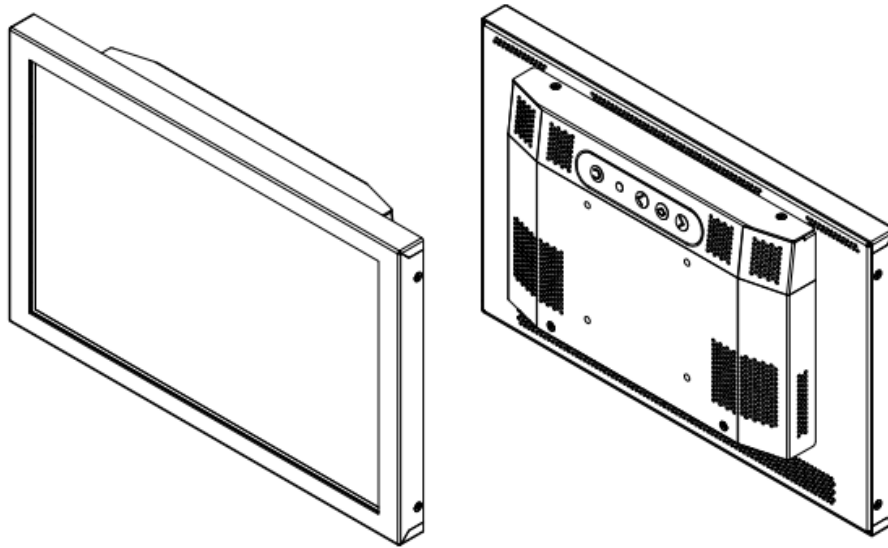
SPECIFICATIONS

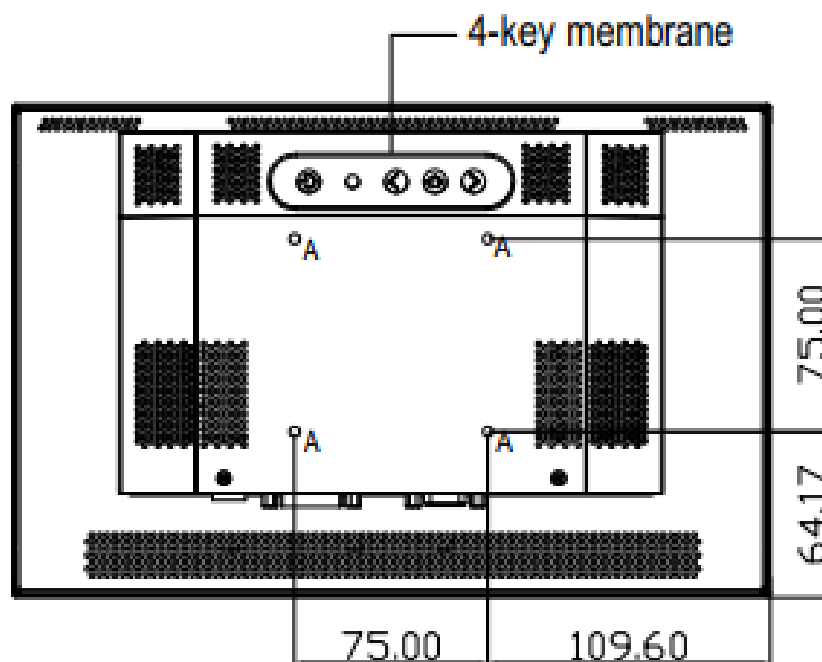
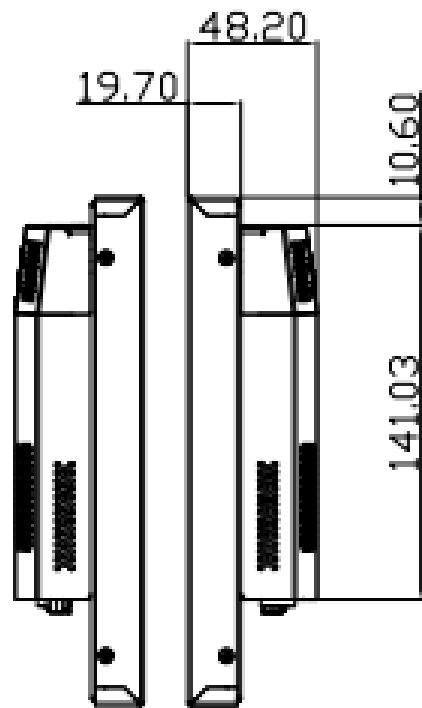
Model No.	DLD1219-A V1
Description	12.1" TFT LCD, LED Backlight 1800 nits, 1280x800
Display Area (mm)	261.120(H) x 163.200(V)
Brightness	1800 cd/m ²
Resolution	1280x800
Aspect Ratio	16 : 10
Contrast Ratio	1050 : 1
Pixel Pitch (mm)	0.204(H) x 0.204(V)
Pixel Per Inch (PPI)	124
Viewing Angle	178°(H),178°(V)
Color Saturation (NTSC)	82%
Display Colors	16.2M
Response Time (Typical)	25ms
Panel Interface	LVDS
AD Board Input Interface	VGA, DVI-D, HDMI
AD Board Input Power	DC12V
Power Consumption	18.5W
OSD Key	4 Keys (Power Switch, Menu, +, -)
OSD Control	Brightness, Color, Contrast, Auto Turing, H/V Position...etc
Dimensions (mm)	294.20 x 191.79 x 48.20
Bezel Size(U/B/L/R)	14.30/14.30/16.54/16.54
Mounting	75x75mm
Weight (Net)	1.85 kg
Operating Temperature	-30 °C ~ 85 °C
Storage Temperature	-30 °C ~ 85 °C

*Specifications are subject to change without notice. **All brands or product names are trademarks or registered trademarks of their respective companies.

DLD= Panel + LED Driving Board + AD Control Board + Housing

MECHANICAL DRAWING Unit: mm





Note :

O.D. : OUTLINE DIMENSION

B.O. : BEZEL OPENING

A.A. : LCD ACTIVE AREA

A : 4-M4_USER HOLE_MAX Depth=5mm