

# DLD1569-I V1

15.6" TFT LCD, LED Backlight 1800nits, FHD (1920x1080)

The DLD1569-I is a 15.6 inch industrial grade sunlight readable LCD with a high brightness of 1800 nits. It produces sharp images, crisp text, and lifelike colors. The Durapixel LED backlight technology ensures high reliability and low power consumption, suitable for outdoor, kiosk, factory automation, military, transportation, gaming applications, and so much more.



## KEY FEATURES

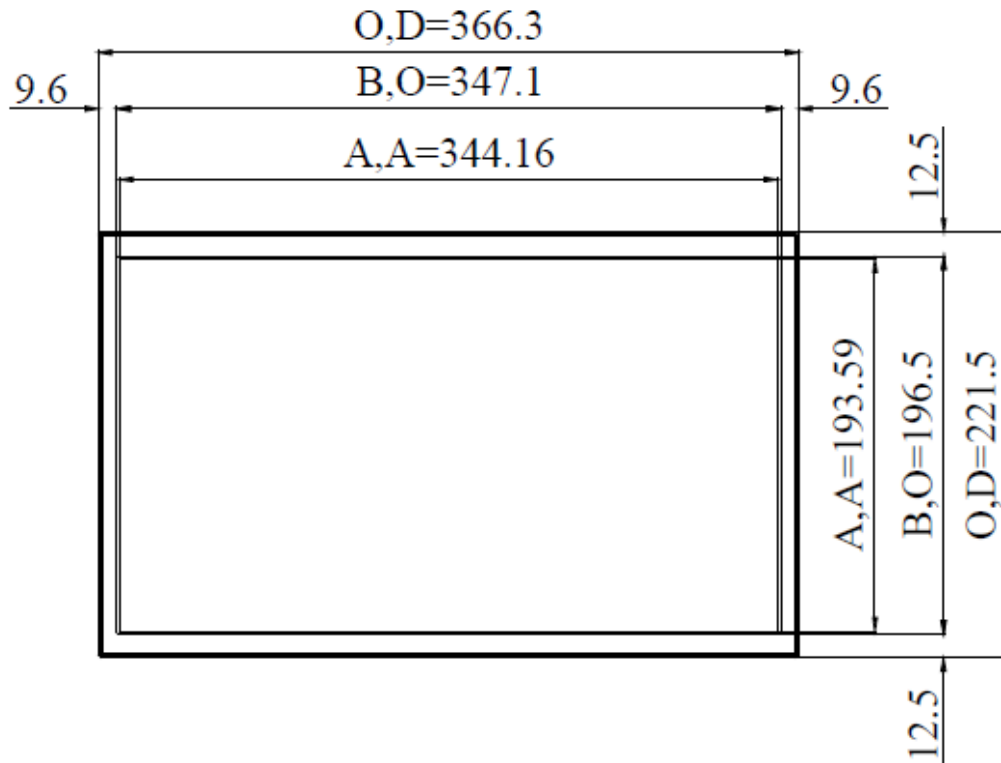
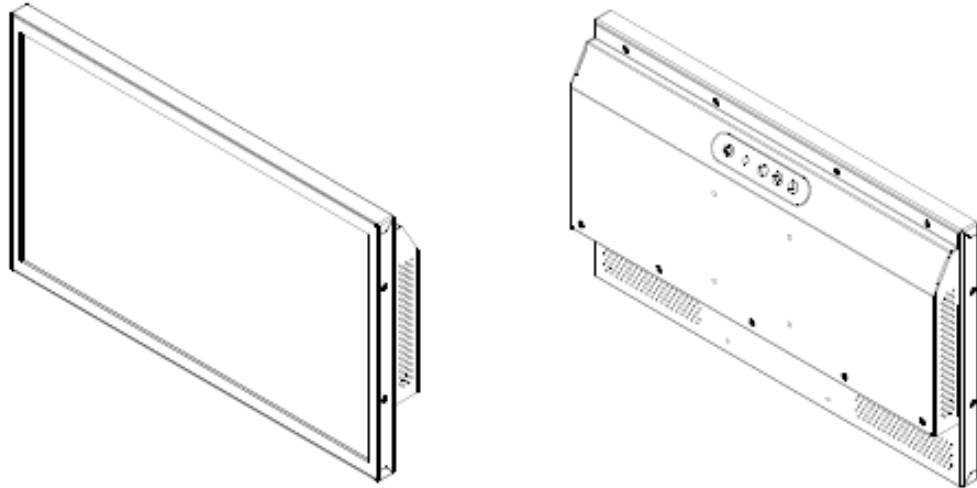
- High Brightness 1800 nits
- Sunlight Readable
- LED Backlight
- Wide Temperature Range (-30 °C ~ 85 °C)
- Low Power Consumption
- BL MTBF: 100,000 hours

## SPECIFICATIONS

Model No.	DLD1569-I V1
Description	15.6" TFT LCD, LED Backlight 1800 nits, FHD (1920x1080)
Display Area (mm)	344.16(H) x 193.59(V)
Brightness	1800 cd/m <sup>2</sup>
Resolution	1920x1080
Aspect Ratio	16 : 9
Contrast Ratio	1200 : 1
Pixel Pitch (mm)	0.17925(H) x 0.17925(V)
Pixel Pre Inch (PPI)	141
Viewing Angle	170°(H),170°(V)
Color Saturation (NTSC)	82%
Display Colors	16.2M
Response Time (Typical)	25ms
Panel Interface	LVDS
AD Board Input Interface	DVI-I ,HDMI, DP
AD Board Input Power	DC12V
Power Consumption	25.3W
OSD Key	4 Keys (Power Switch, Menu, +, -)
OSD Control	Brightness, Color, Contrast, Auto Turing, H/V Position...etc
Dimensions (mm)	366.3 x 221.5 x 42.4
Bezel Size(U/B/L/R)	12.5/12.5/9.6/9.6 mm
Mounting	75x75
Weight (Net)	2.5kg
Operating Temperature	-30 °C ~ 85 °C
Storage Temperature	-40 °C ~ 90 °C

\*Specifications are subject to change without notice. \*\*All brands or product names are trademarks or registered trademarks of their respective companies.

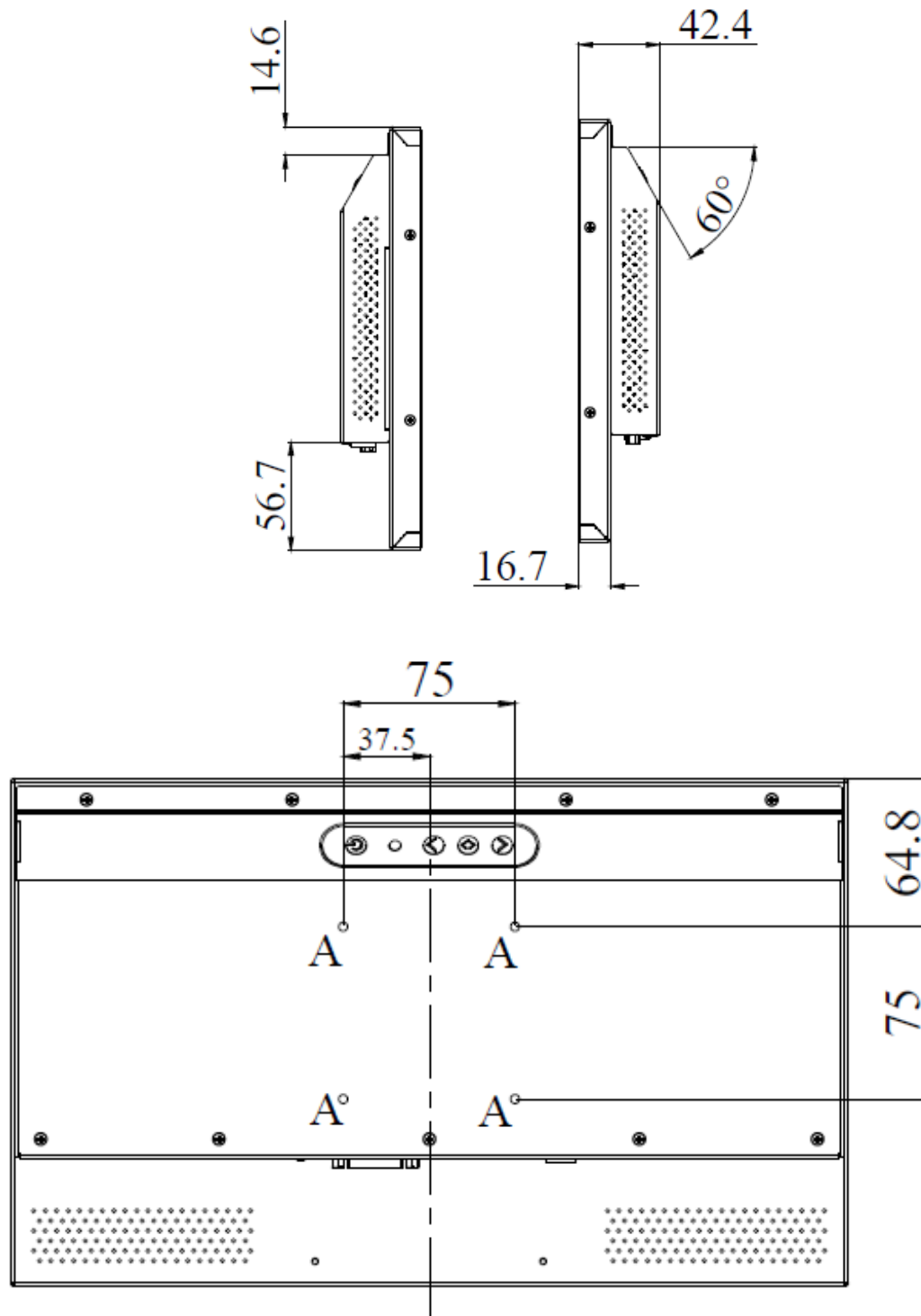
DLD= Panel + LED Driving Board + AD Control Board + Housing



MEMBRANE 4-KEYS



DC IN  
HDMI  
DP  
DVI-I



NOTE :

O.D. : OUTLINE DIMENSION

B.O. : BEZEL OPENING

A.A. : LCD ACTIVE AREA

A : 4-M4\_USER HOLE\_MAX Depth=4mm