

DLD 4309 ANU V2

43" TFT LCD , LED Backlight 1800 nits UHD 3840x2160

The DLD 4309 ANU is a 43 inch industrial grade sunlight readable LCD with a high brightness of 1800 nits. It produces sharp images, crisp text, and lifelike colors. The Durapixel LED backlight technology ensures high reliability and low power consumption, suitable for outdoor, kiosk, factory automation, military, transportation, gaming applications, and so much more.



KEY FEATURES

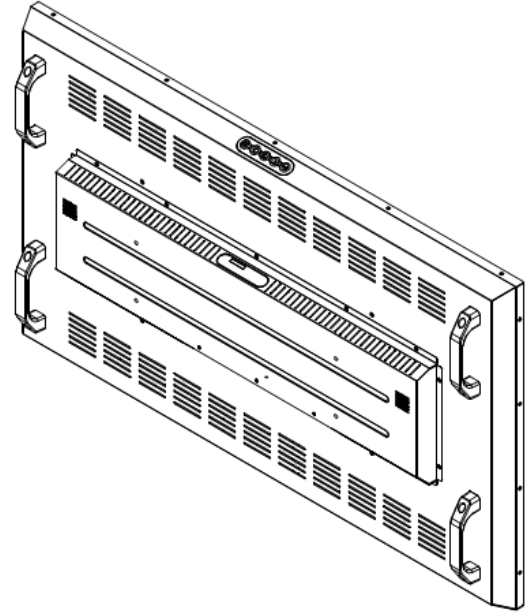
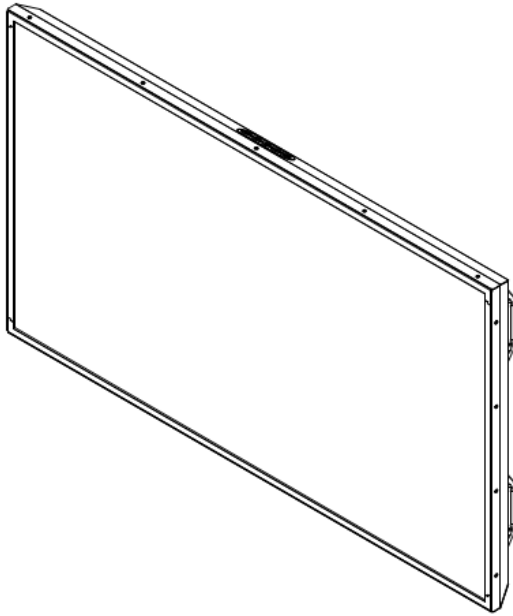
- High Brightness 1000 nits
- Sunlight Readable
- LED Backlight
- Low Power Consumption
- Slim Bezel
- BL MTBF: 100,000 hours

SPECIFICATIONS

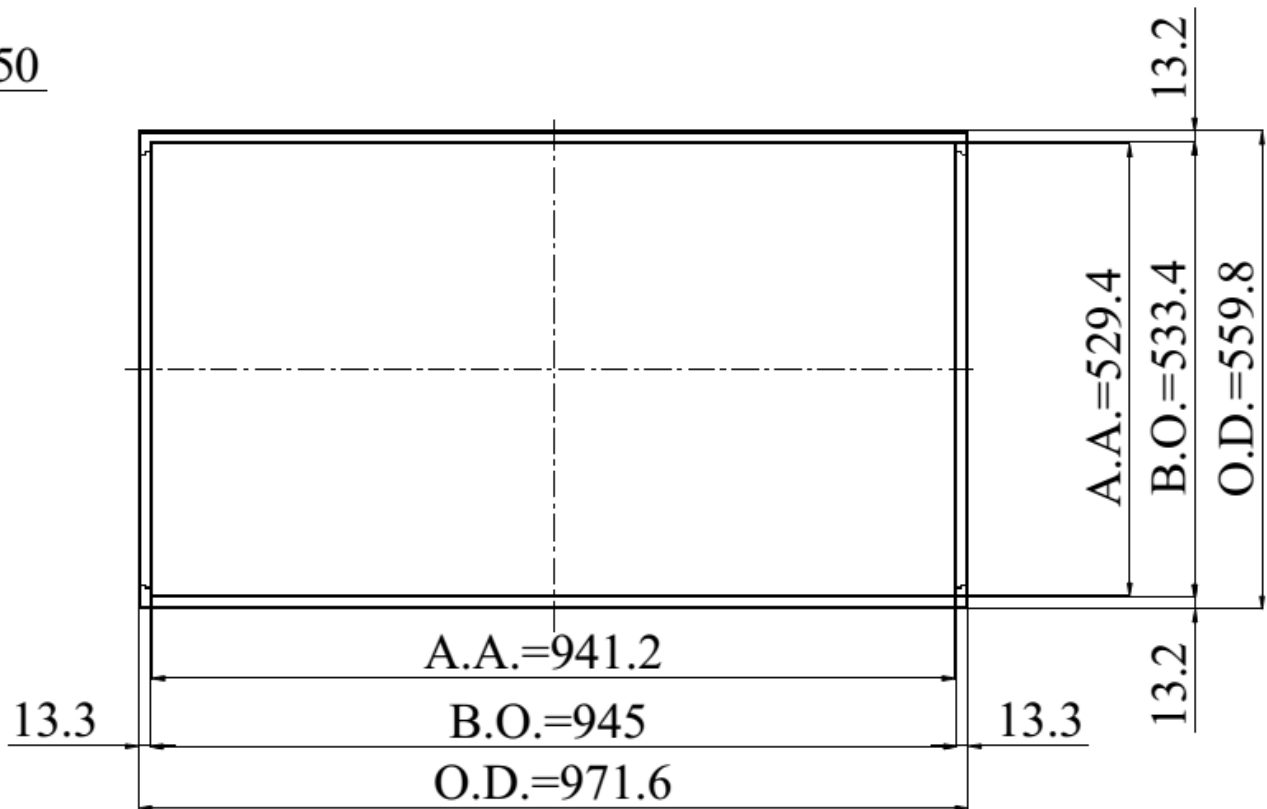
Model No.	DLD4309-ANU V2
Description	43" TFT LCD, LED Backlight 1800 nits, UHD 3840x2160
Display Area (mm)	941.184(H) x 529.416(V)
Brightness	1800 cd/m ²
Resolution	3840x2160
Aspect Ratio	16 : 9
Contrast Ratio	4500 : 1
Pixel Pitch (mm)	0.49005(H) x 0.49005(V)
Pixel Pre Inch (PPI)	102
Viewing Angle	178°(H),178°(V)
Color Saturation (NTSC)	82%
Display Colors	1.07G
Response Time (Typical)	8ms
Panel Interface	V-by-One
AD Board Input Interface	VGA, DVI-D, HDMI, DP
AD Board Input Power	AC100~240V
Power Consumption	198W
OSD Key	5 Keys (Power Switch, Menu, +, Exit, -)
OSD Control	Brightness, Color, Contrast, Auto Turing, H/V Position...etc
Dimensions (mm)	971.6 x 559.8 x 92
Bezel Size(U/B/L/R)	13.2/13.2/13.3/13.3 mm
Mounting	400x100 mm
Weight (Net)	21kg
Operating Temperature	0 °C ~ 50 °C
Storage Temperature	-20 °C ~ 60 °C

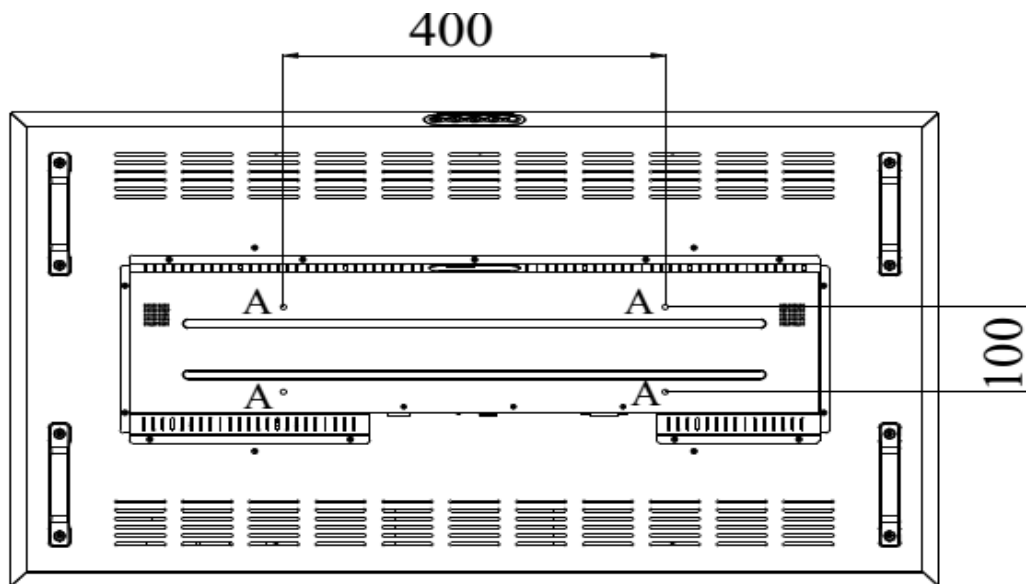
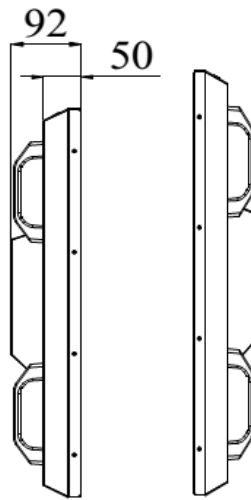
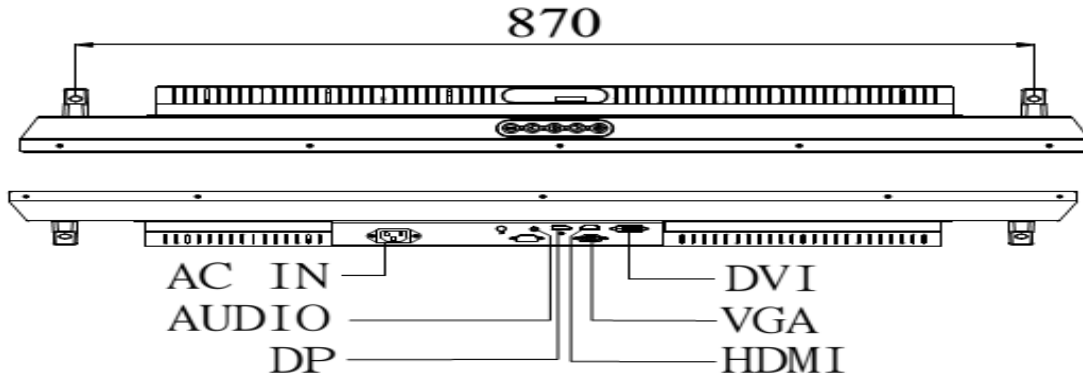
*Specifications are subject to change without notice. **All brands or product names are trademarks or registered trademarks of their respective companies.

DLD= Panel + LED Driving Board + AD Control Board + Housing



50





NOTE :
O.D. : OUTLINE DIMENSION
B.O. : BEZEL OPENING
A.A. : LCD ACTIVE AREA

A : 4-M6_USER HOLE_MAX. DEPTH=6 mm