

DLD4309-B V1

43" TFT LCD, 1800nits LED Backlight, 1920x1080

The DLD4309-B is a 43 inch industrial grade sunlight readable LCD with a high brightness of 1800 nits. It produces sharp images, crisp text, and lifelike colors. The Durapixel LED backlight technology ensures high reliability and low power consumption, suitable for outdoor, kiosk, factory automation, military, transportation, gaming applications, and so much more.



KEY FEATURES

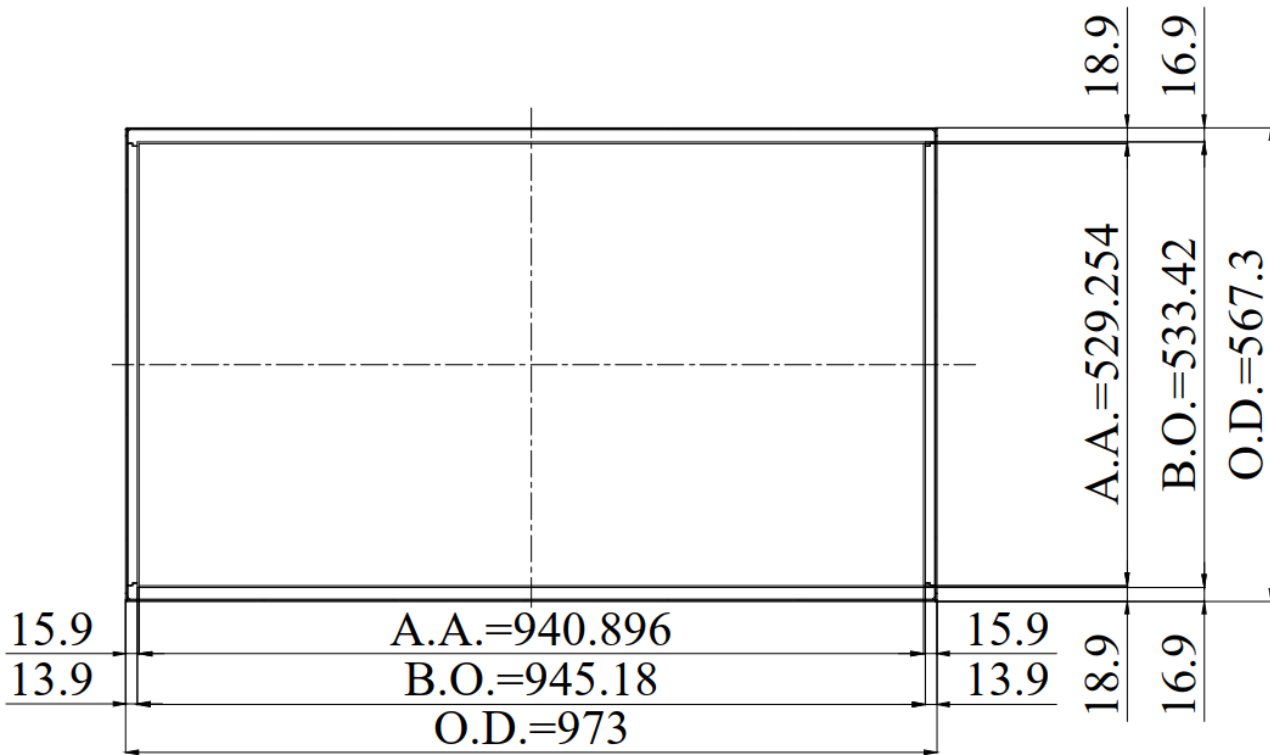
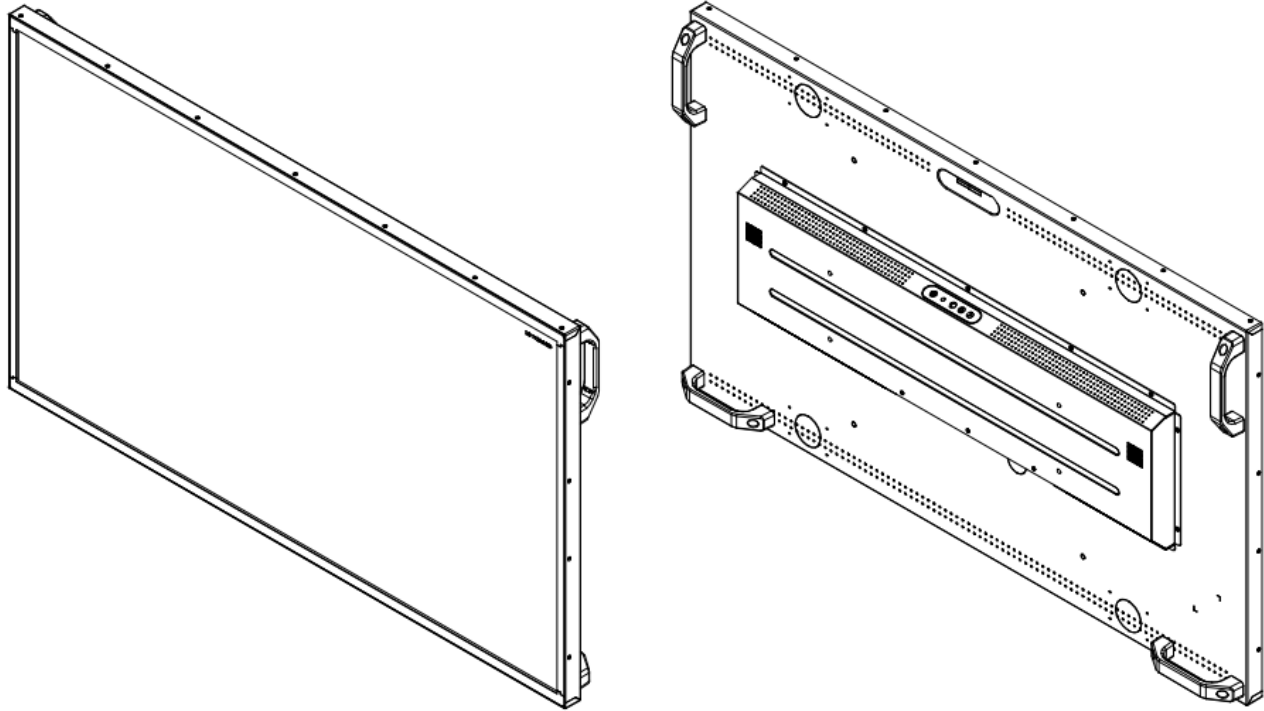
- High Brightness 1800 nits
- Sunlight Readable
- LED Backlight
- Low Power Consumption
- LCD Blacking Defect Free(Hi-Tni 110 °C)
- BL MTBF: 100,000 hours

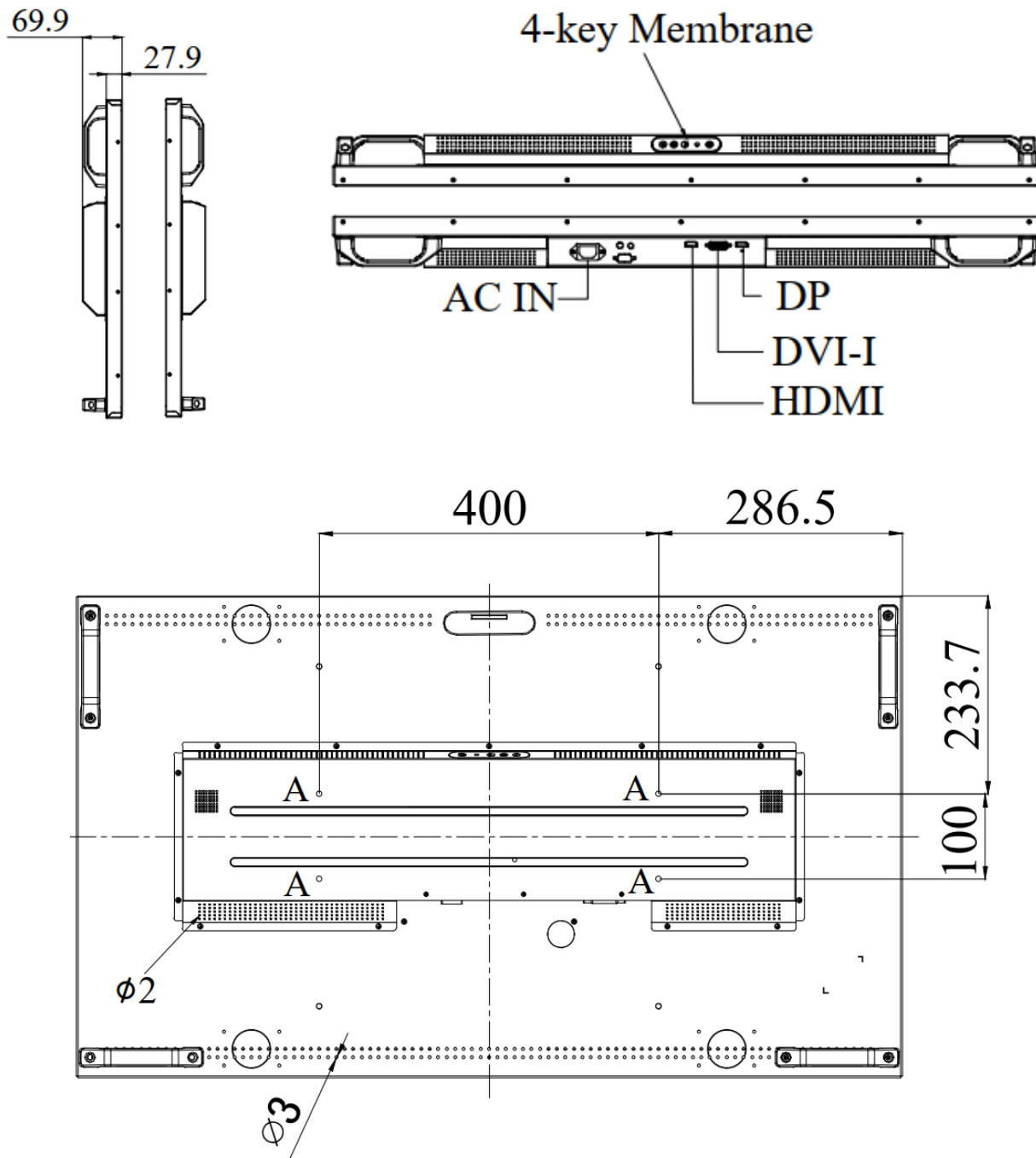
SPECIFICATIONS

Model No.	DLD4309-B
Description	43" TFT LCD, 1800nits LED Backlight, 1920x1080
Display Area (mm)	940.896(H) x 529.254(V)
Brightness	1800 cd/m ²
Resolution	1920x1080
Aspect Ratio	16 : 9
Contrast Ratio	1300 : 1
Pixel Pitch (mm)	0.4905(H) x 0.4905(V)
Pixel Per Inch (PPI)	51
Viewing Angle	178°(H),178°(V)
Color Saturation (NTSC)	83%
Display Colors	16.7M
Response Time (Typical)	8ms
Panel Interface	LVDS
AD Board Input Interface	DVI-I, HDMI, DP
AD Board Input Power	AC100~240V
Power Consumption	106W
OSD Key	4 Keys (Power Switch, Menu, +, -)
OSD Control	Brightness, Color, Contrast, Auto Turing, H/V Position...etc
Dimensions (mm)	973(H) x 567.3(V) x 69.9(T)
Bezel Size(U/B/L/R)	18.9/18.9/15.9/15.9 mm
Mounting	400x100 mm
Weight (Net)	17.8kg
Operating Temperature	-20 °C ~ 60 °C
Storage Temperature	-20 °C ~ 70 °C

*Specifications are subject to change without notice. **All brands or product names are trademarks or registered trademarks of their respective companies.

DLD= Panel + LED Driving Board + AD Control Board + Housing





NOTE :

O.D. : OUTLINE DIMENSION

B.O. : BEZEL OPENING

A.A. : LCD ACTIVE AREA

A : 4-M6_USER HOLE_MAX. DEPTH= 6 mm