

DLD5506-L V3

55" TFT LCD, LED Backlight 1200nits, UHD(3840x2160)

The DLD5506-L is a 55 industrial grade sunlight readable LCD with a high brightness of 1200 nits. It produces sharp images, crisp text, and lifelike colors. The Durapixel LED backlight technology ensures high reliability and low power consumption, suitable for outdoor, kiosk, factory automation, military, transportation, gaming applications, and so much more.



KEY FEATURES

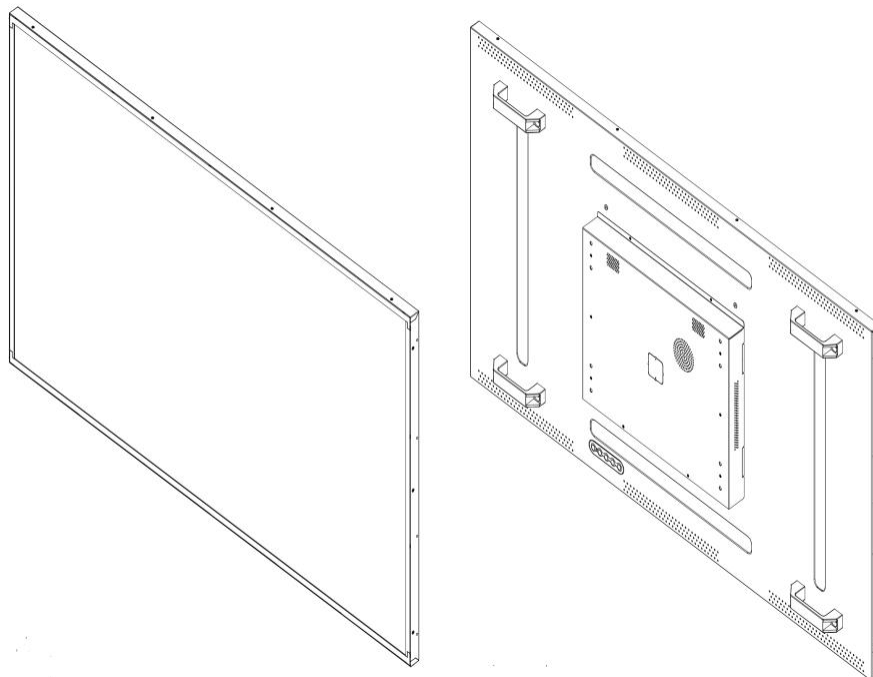
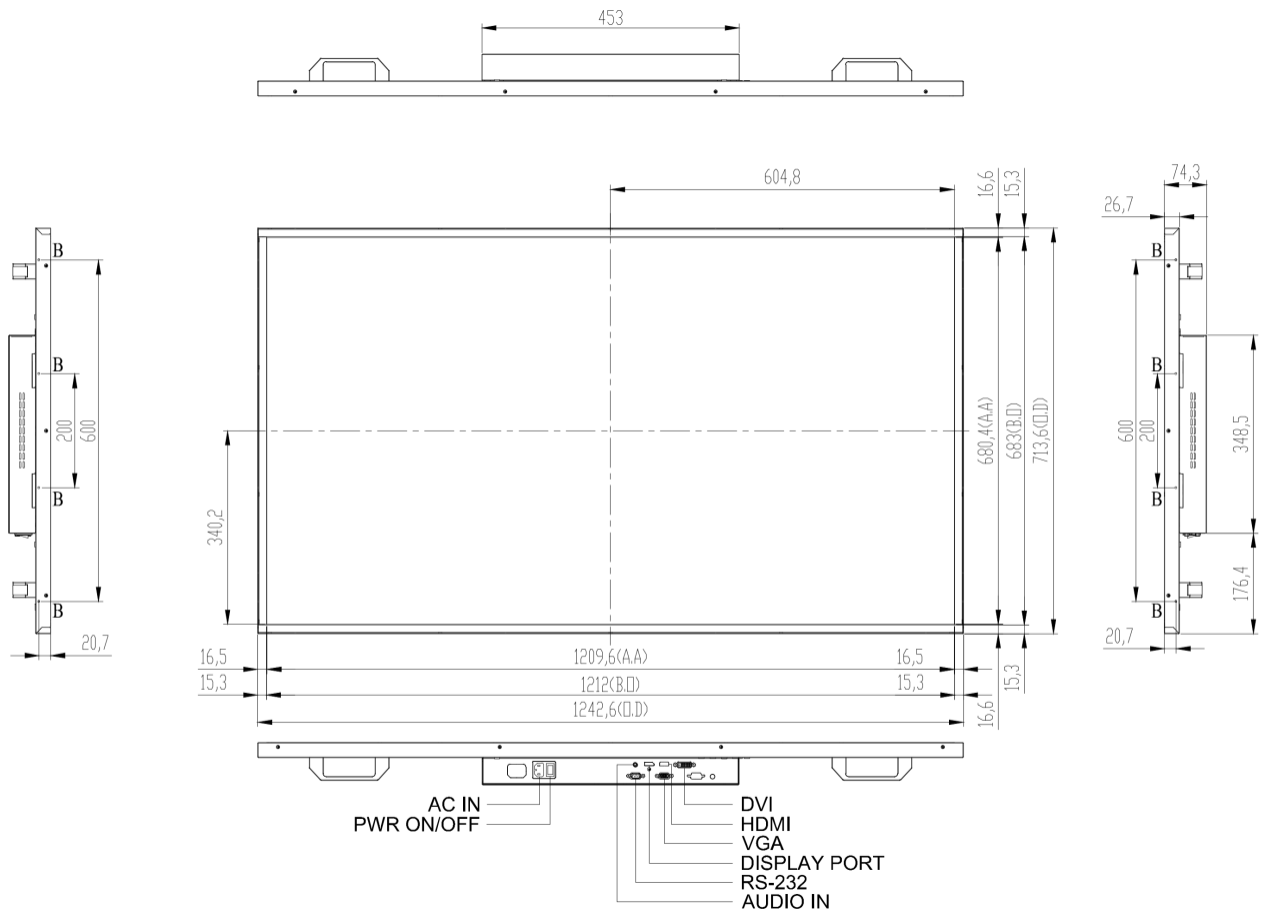
- High Brightness 1200 nits
- Sunlight Readable
- LED Backlight
- Low Power Consumption
- Slim Bezel
- BL MTBF: 100,000 hours

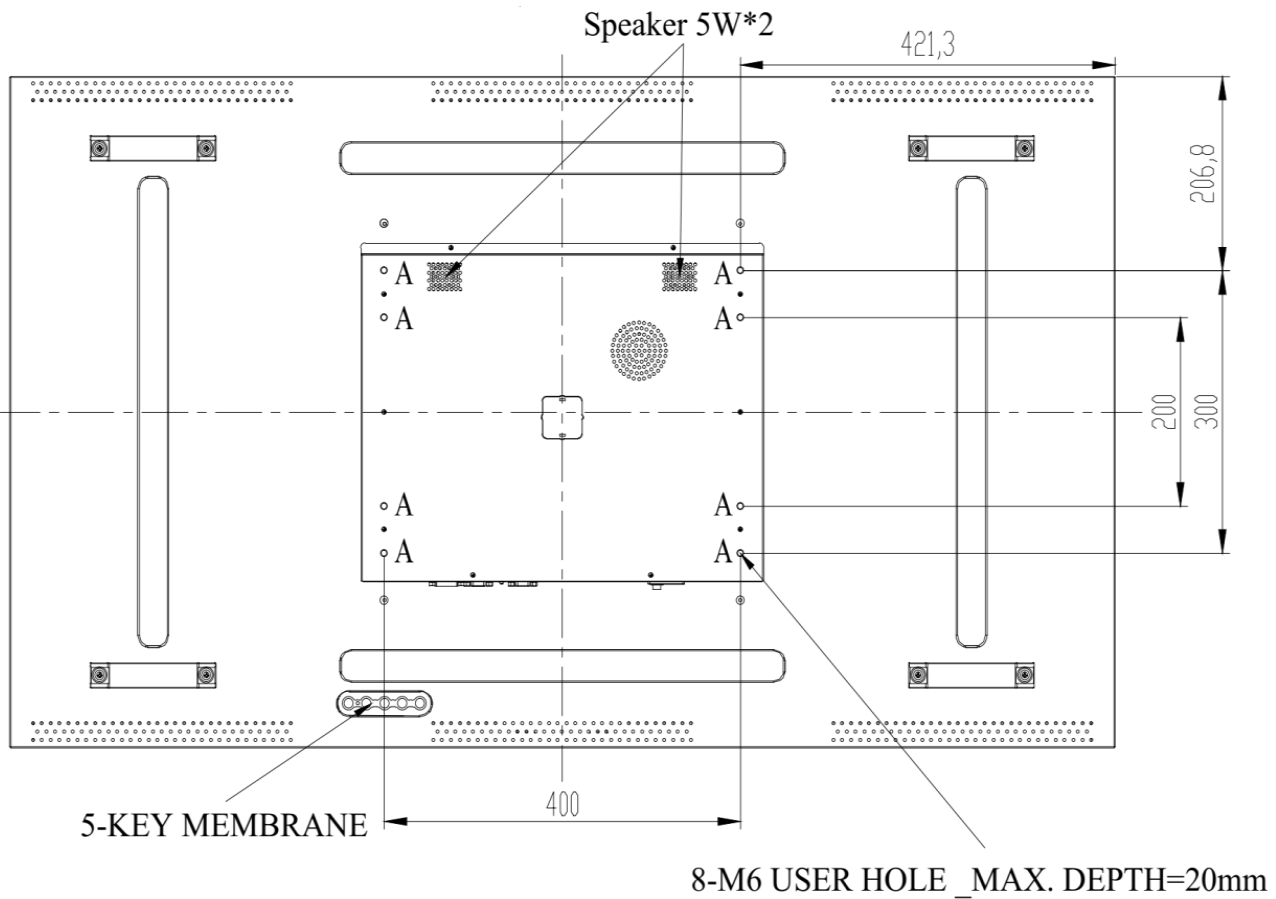
SPECIFICATIONS

Model No.	DLD5506-L V3
Description	55" TFT LCD, LED Backlight 1200 nits, UHD (3840x2160)
Display Area (mm)	1209.6(H) x 680.4(V)
Brightness	1200 cd/m ²
Resolution	3840x2160
Aspect Ratio	16 : 9
Contrast Ratio	1200 : 1
Pixel Pitch (mm)	0.315(H) x 0.315(V)
Pixel Per Inch (PPI)	80
Viewing Angle	178°(H),178°(V)
Color Saturation (NTSC)	80%
Display Colors	1.07G
Response Time (Typical)	8ms
Panel Interface	V-by-One
AD Board Input Interface	VGA, DVI-D, HDMI, DP
AD Board Input Power	AC100~240V
Power Consumption	180W
OSD Key	5 Keys (Power Switch, Menu, +, Exit, -)
OSD Control	Brightness, Color, Contrast, Auto Turing, H/V Position...etc
Dimensions (mm)	1242.6 x 713.6 x 74.3
Bezel Size(U/B/L/R)	15.3/15.3/15.3/15.3 mm
Mounting	400x300, 400x200
Weight (Net)	37.5kg
Operating Temperature	0 °C ~ 50 °C
Storage Temperature	-20 °C ~ 60 °C

*Specifications are subject to change without notice. **All brands or product names are trademarks or registered trademarks of their respective companies.

DLD= Panel + LED Driving Board + AD Control Board + Housing





Note:

O.D : Outline Dimension

B.O : Bezel Opening

A.A : LCD Active Area

A:8-M6 USER HOLE _MAX. DEPTH=20mm

B:8-M4 USER HOLE _MAX. DEPTH=10mm