

# DLF/DLH1015-A V1

10.1" TFT LCD, LED Backlight 1000nits, 1280x800

The DLF/DLH1015-A is a 10.1 inch industrial grade sunlight readable LCD with a high brightness of 1000 nits. It produces sharp images, crisp text, and lifelike colors. The Durapixel LED backlight technology ensures high reliability and low power consumption, suitable for outdoor, kiosk, factory automation, military, transportation, gaming applications, and so much more.



## KEY FEATURES

- High Brightness 1000 nits
- Sunlight Readable
- LED Backlight
- Low Power Consumption
- Wide Operation Temperature
- BL MTBF: 100,000 hours

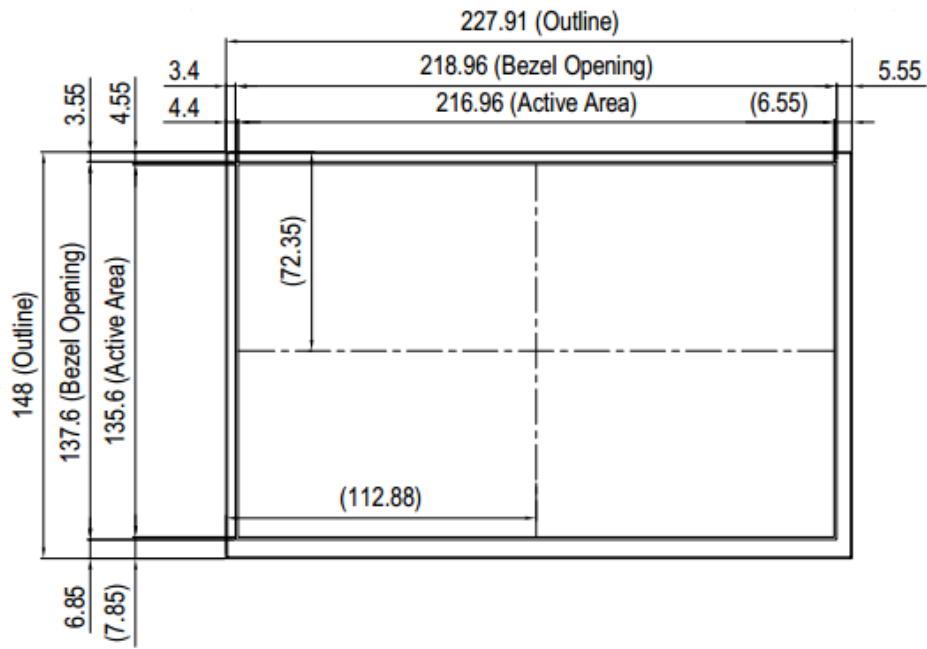
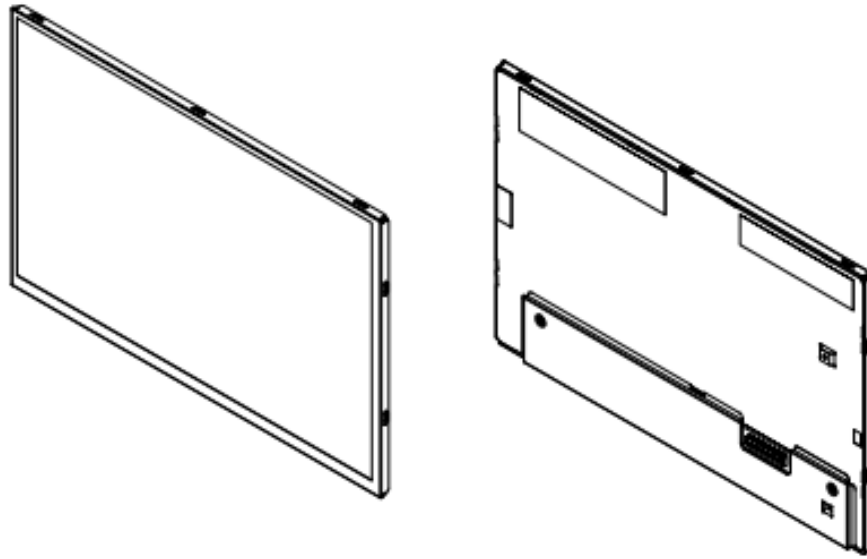
## SPECIFICATIONS

Model No.	DLF/DLH1015-A V1
Description	10.1" TFT LCD, LED Backlight 1000 nits, 1280x800
Display Area (mm)	216.96(H) x 135.6(V)
Brightness	1000 cd/m <sup>2</sup>
Resolution	1280x800
Aspect Ratio	16 : 10
Contrast Ratio	1400 : 1
Pixel Pitch (mm)	0.1695(H) x 0.1695(V)
Pixel Pre Inch (PPI)	149
Viewing Angle	170°(H),170°(V)
Color Saturation (NTSC)	52%
Display Colors	16.2M
Response Time (Typical)	25ms
Panel Interface	LVDS
AD Board Input Interface	DVI-I, HDMI, DP
AD Board Input Power	DC12V
Power Consumption	8.2W (9W with AD board)
OSD Key	4 Keys (Power Switch, Menu, +, -)
OSD Control	Brightness, Color, Contrast, Auto Turing, H/V Position...etc
Dimensions (mm)	227.91(H) x 148(V)x7.6 (T)
Bezel Size(U/B/L/R)	3.55/6.85/3.4/5.55 mm
Weight (Net)	0.8kg
Operating Temperature	-20 °C ~ 70 °C
Storage Temperature	-30 °C ~ 80 °C

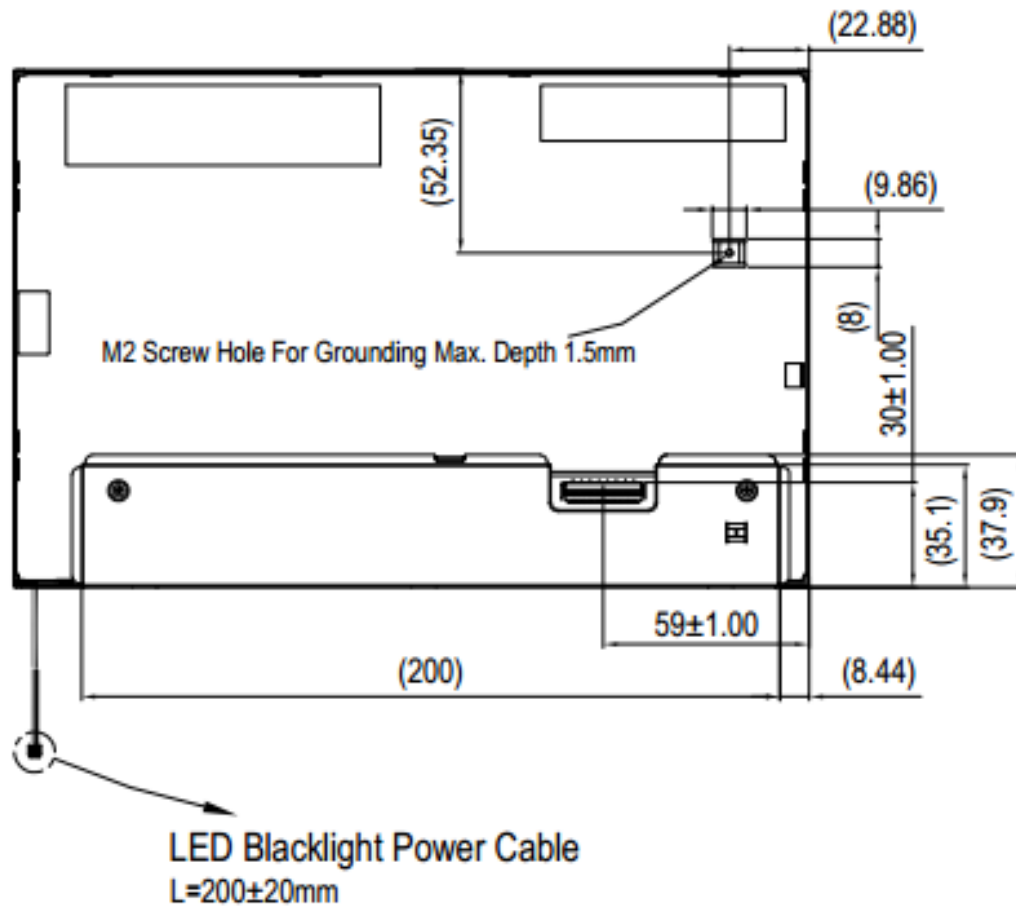
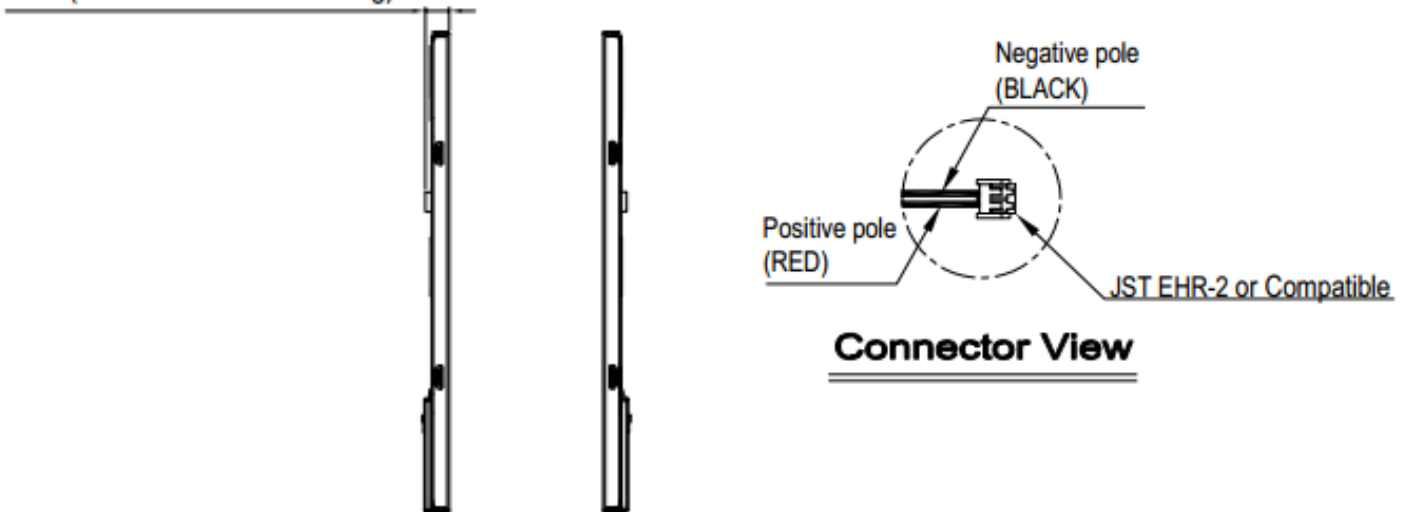
\*Specifications are subject to change without notice. \*\*All brands or product names are trademarks or registered trademarks of their respective companies.

DLF= Panel + LED Driving Board

DLH= Panel + LED Driving Board + AD Control Board



7.23 (Screw Hole For Grounding)



Note:

1. CN1: The Interface Connector
2. Torque Of M2 User Hole Should Be Within TBD kgf-cm And Re-Screw 10 Times
3. Tolerance Is  $\pm 0.5\text{mm}$  If Not Specified