

DLF2158-U / DLH2158-U V1

21.5" TFT LCD, LED Backlight 1600nits, FHD(1920x1080)

The DLF/DLH2158-U is a 21.5 inch industrial grade sunlight readable LCD with a high brightness of 1600 nits. It produces sharp images, crisp text, and lifelike colors. The Durapixel LED backlight technology ensures high reliability and low power consumption, suitable for outdoor, kiosk, factory automation, military, transportation, gaming applications, and so much more.



KEY FEATURES

- High Brightness 1600 nits
- Sunlight Readable
- LED Backlight
- Low Power Consumption
- LCD Blacking Defect Free (Hi-Tni 110 °C)
- BL MTBF: 100,000 hours

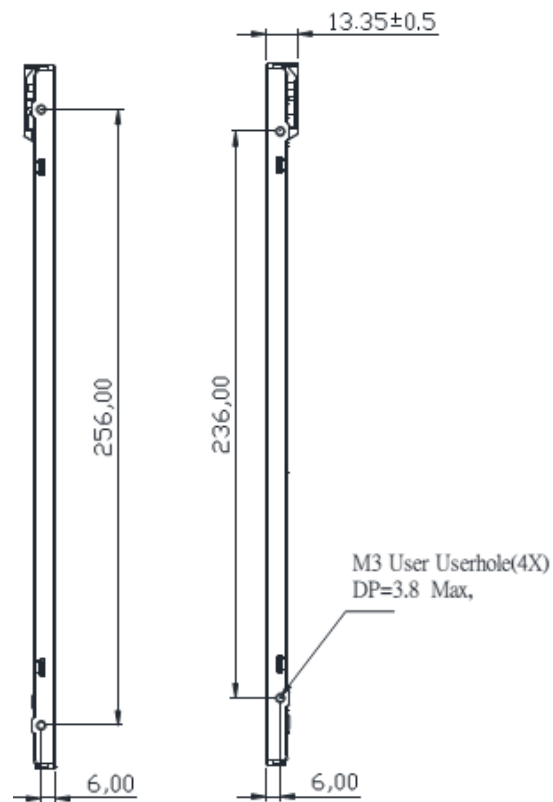
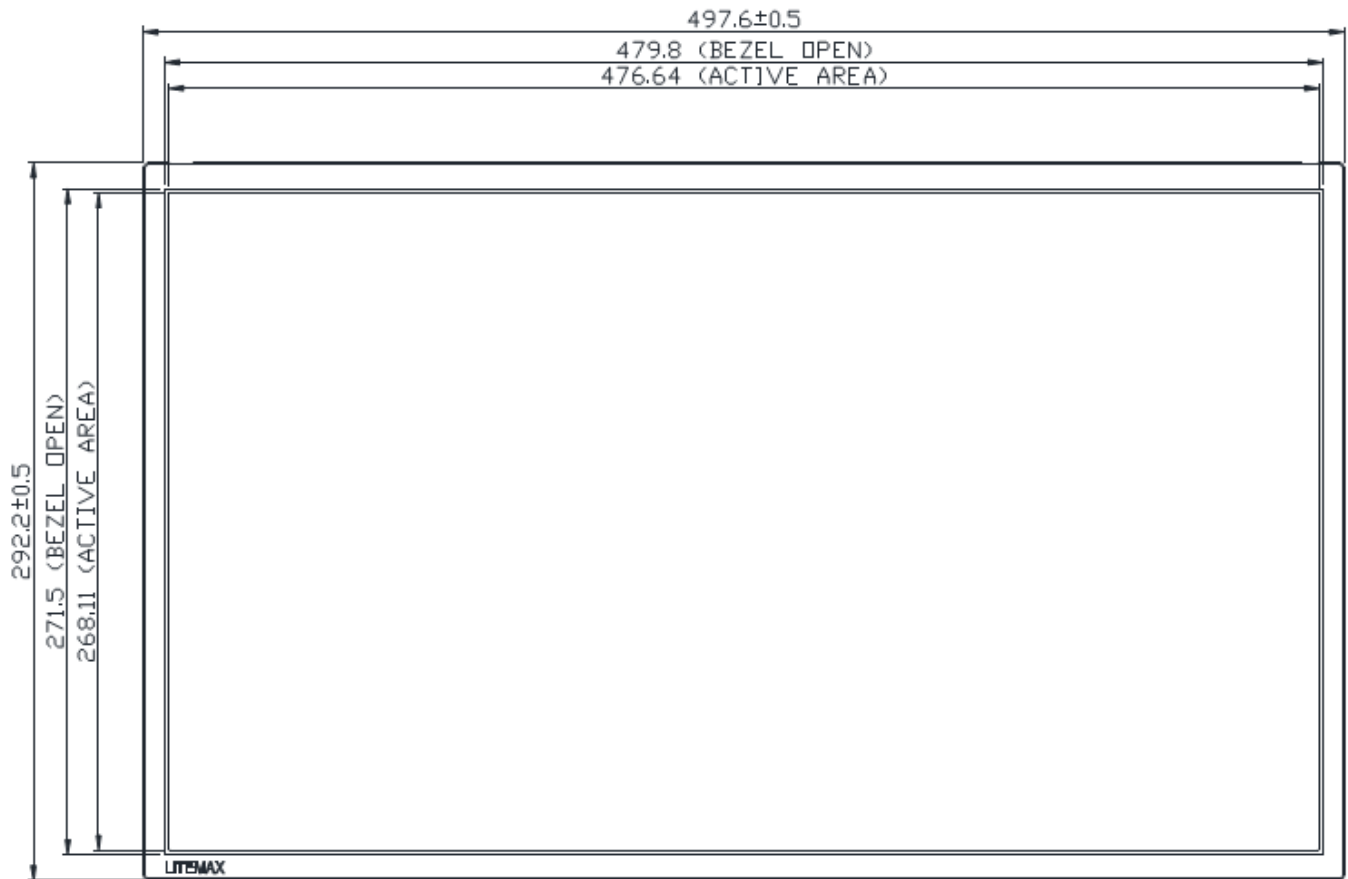
SPECIFICATIONS

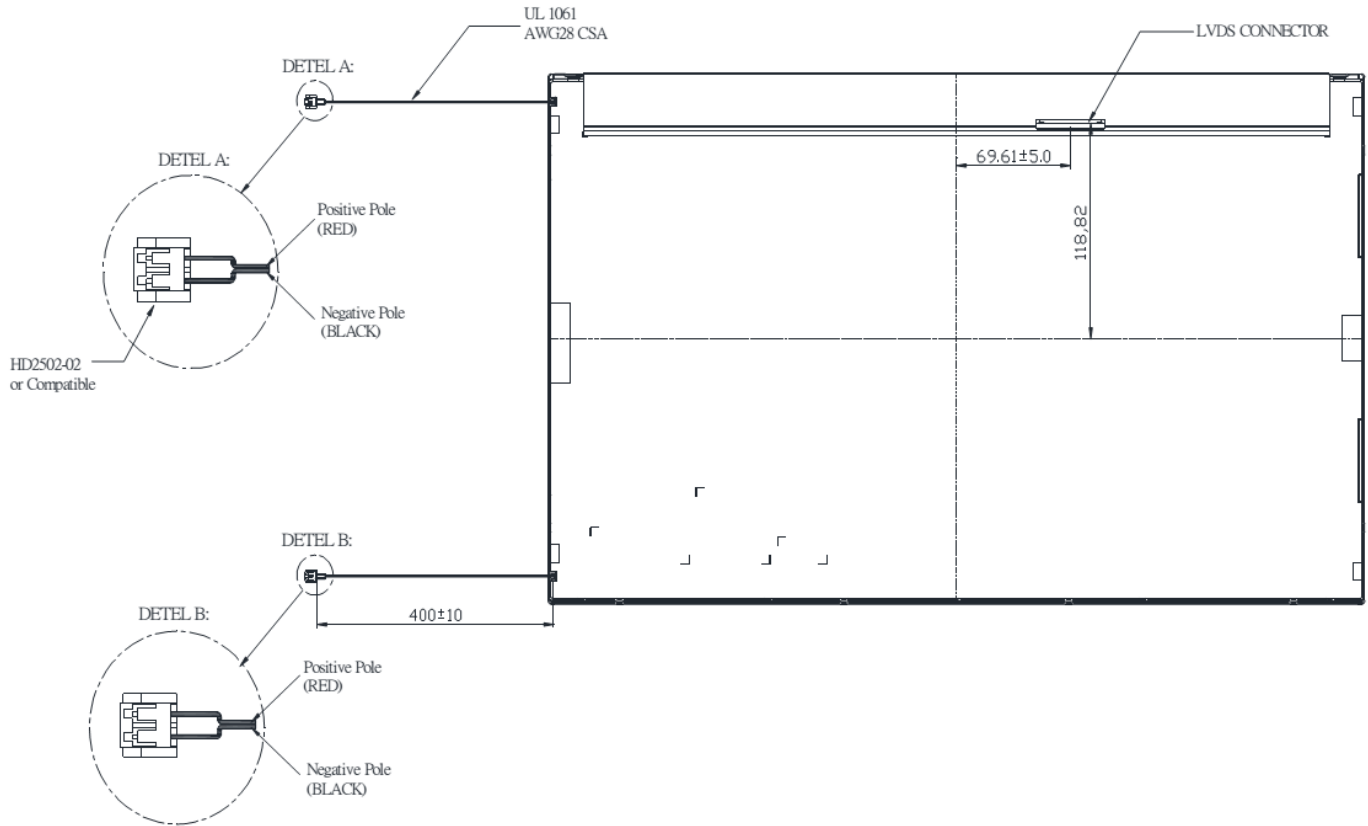
Model No.	DLF2158-U / DLH2158-U V1
Description	21.5" TFT LCD, LED Backlight 1600 nits, FHD (1920x1080)
Display Area (mm)	467.64(H) x 268.11(V)
Brightness	1600 cd/m ²
Resolution	1920x1080
Aspect Ratio	16 : 9
Contrast Ratio	2800 : 1
Pixel Pitch (mm)	0.24825(H) x 0.24825(V)
Pixel Pre Inch (PPI)	102
Viewing Angle	178°(H),178°(V)
Color Saturation (NTSC)	80%
Display Colors	16.7M
Response Time (Typical)	25ms
Panel Interface	LVDS
AD Board Input Interface	VGA, DVI-D
AD Board Input Power	DC12V
Power Consumption	47W (52W with AD Board)
OSD Key	4 Keys (Power Switch, Menu, +, -)
OSD Control	Brightness, Color, Contrast, Auto Turing, H/V Position...etc
Dimensions (mm)	497.6 x 292.2 x 13.35
Bezel Size(U/B/L/R)	10.35/10.35/8.9/8.9 mm
Weight (Net)	1.8kg
Operating Temperature	0 °C ~ 60 °C
Storage Temperature	-20 °C ~ 60 °C

*Specifications are subject to change without notice. **All brands or product names are trademarks or registered trademarks of their respective companies.

DLF= Panel + LED Driving Board

DLH= Panel + LED Driving Board + AD Control Board





Note :

- 1.GENERAL TOLERANCE:±0.5mm
- 2.ALLOW ED DEPTH OF USERHOLE SCREW INSERTION IS 3.8mm MAX.
3. USER SCREW TORQUE=4.0 kgf/cm MAX.