

DLF2705-B / DLH2705-B V1

27" TFT LCD, LED Backlight 1000nits, FHD(1920x1080)

The DLF/DLH2705-B is a 27 inch industrial grade sunlight readable LCD with a high brightness of 1000 nits. It produces sharp images, crisp text, and lifelike colors. The Durapixel LED backlight technology ensures high reliability and low power consumption, suitable for outdoor, kiosk, factory automation, military, transportation, gaming applications, and so much more.



KEY FEATURES

- High Brightness 1000 nits
- Sunlight Readable
- LED Backlight
- Slim Bezel
- Low Power Consumption
- BL MTBF: 100,000 hours

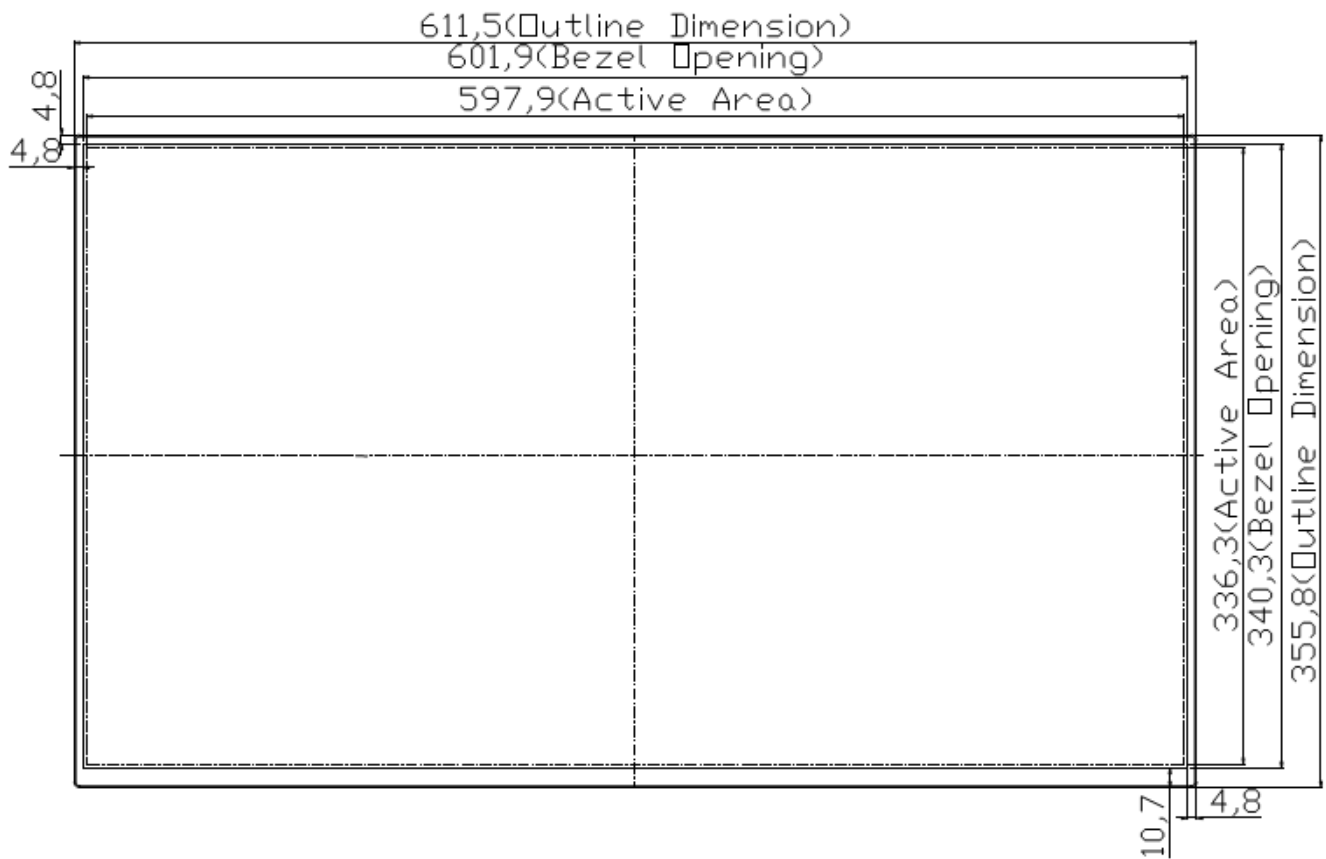
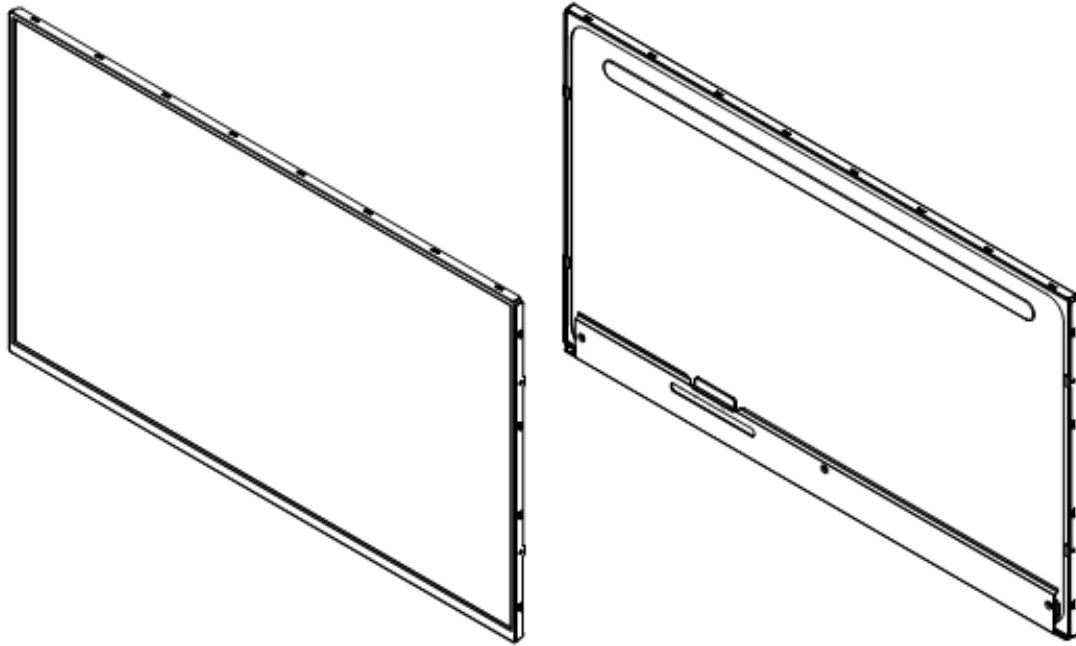
SPECIFICATIONS

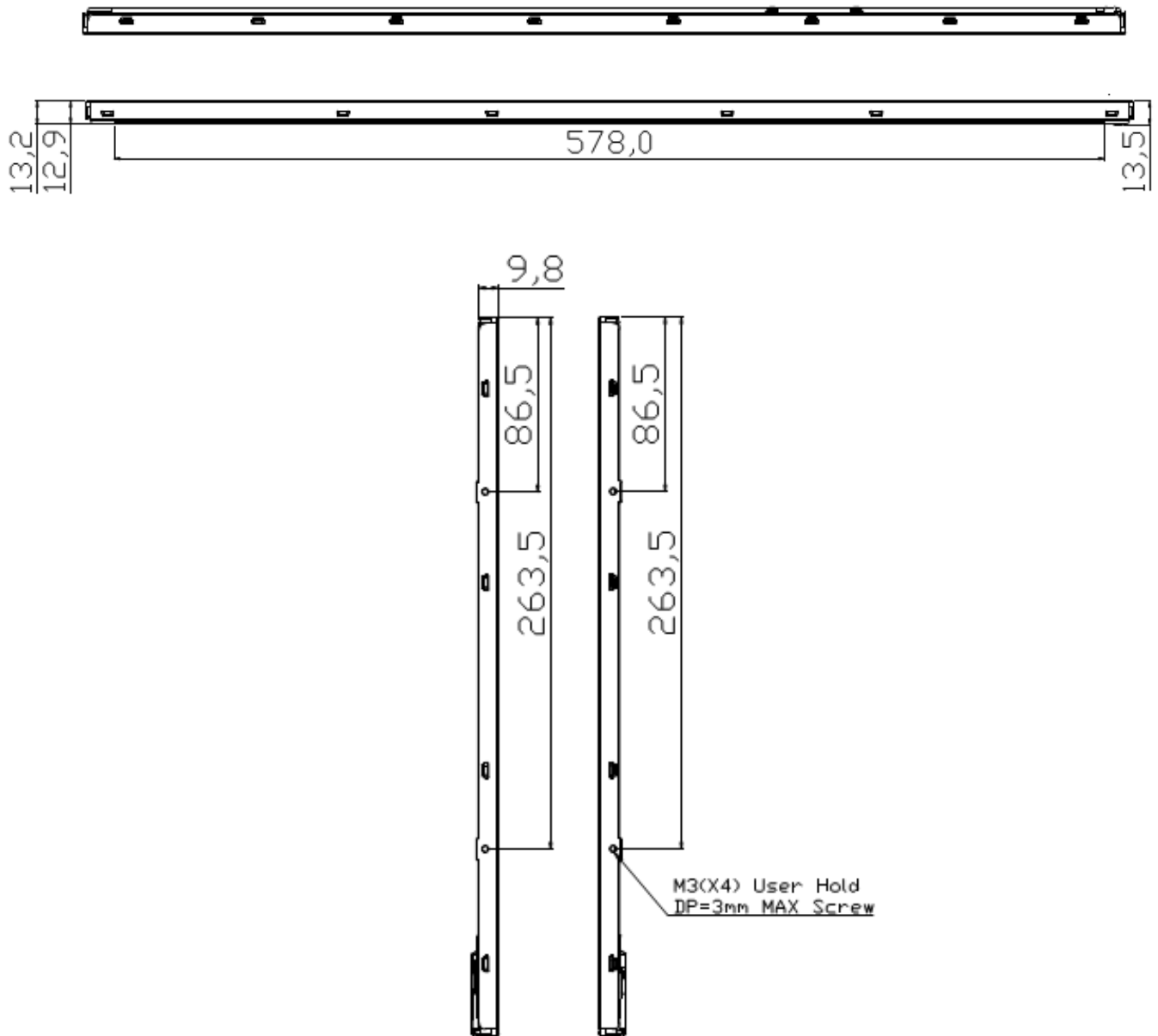
Model No.	DLF2705-B / DLH2705-B V1
Description	27" TFT LCD, LED Backlight 1000 nits, FHD (1920x1080)
Display Area (mm)	597.9 (H) x 336.3(V)
Brightness	1000 cd/m ²
Resolution	1920x1080
Aspect Ratio	16 : 9
Contrast Ratio	1000 : 1
Pixel Pitch (mm)	0.3114(H) x 0.3114(V)
Pixel Per Inch (PPI)	81
Viewing Angle	178°(H),178°(V)
Color Saturation (NTSC)	82%
Display Colors	16.7M
Response Time (Typical)	14ms
Panel Interface	LVDS
AD Board Input Interface	DVI-I, DP
AD Board Input Power	DC12V
Power Consumption	27.6W, (33.4W with AD Board)
OSD Key	4 Keys (Power Switch, Menu, +, -)
OSD Control	Brightness, Color, Contrast, Auto Turing, H/V Position...etc
Dimensions (mm)	611.5 x 355.8 x 13.5
Bezel Size(U/B/L/R)	4.8/10.7/4.8/4.8 mm
Weight (Net)	3.5kg
Operating Temperature	0 °C ~ 50 °C
Storage Temperature	-20 °C ~ 60 °C

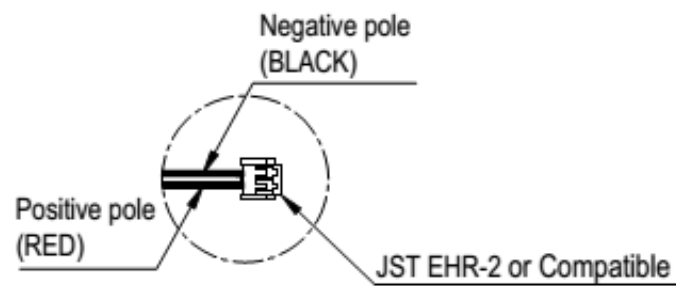
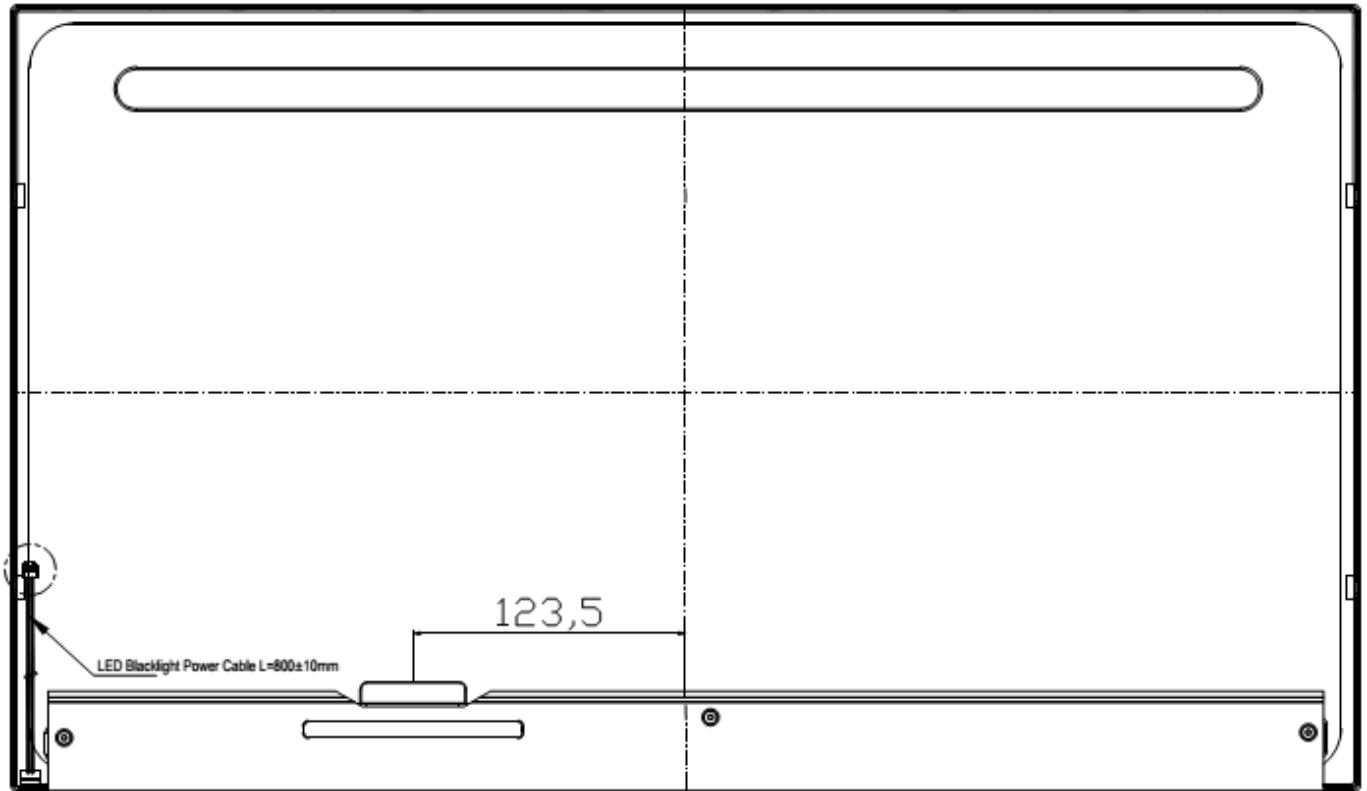
*Specifications are subject to change without notice. **All brands or product names are trademarks or registered trademarks of their respective companies.

DLF= Panel + LED Driving Board

DLH= Panel + LED Driving Board + AD Control Board







Note :

1. THE DIMENSION EXCLUDES DEFORMATION.
2. MODULE THICKNESS TO BE MAX.13.5mm
3. I/F CONNECTOR TO BE JAE FI-X30HL OR COMPATIBLE
4. M3 USER HOLE SCREW TORQUE 5.0 kgf- cm MAX.