

DLF4308-L / DLH4308-L V1



43" TFT LCD, LED Backlight 1600nits, FHD (1920x1080)

The DLF/DLH4308-L is a 43 inch industrial grade sunlight readable LCD with a high brightness of 1600 nits. It produces sharp images, crisp text, and lifelike colors. The Durapixel LED backlight technology ensures high reliability and low power consumption, suitable for outdoor, kiosk, factory automation, military, transportation, gaming applications, and so much more.



KEY FEATURES

- High Brightness 1600 nits
- Sunlight Readable
- LED Backlight
- Low Power Consumption
- LCD Blacking Defect Free(Hi-Tni 110°C)
- BL MTBF: 100,000 hours

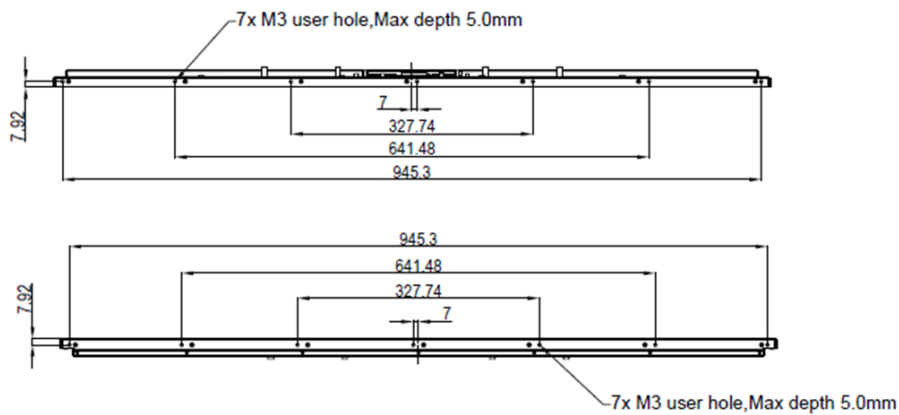
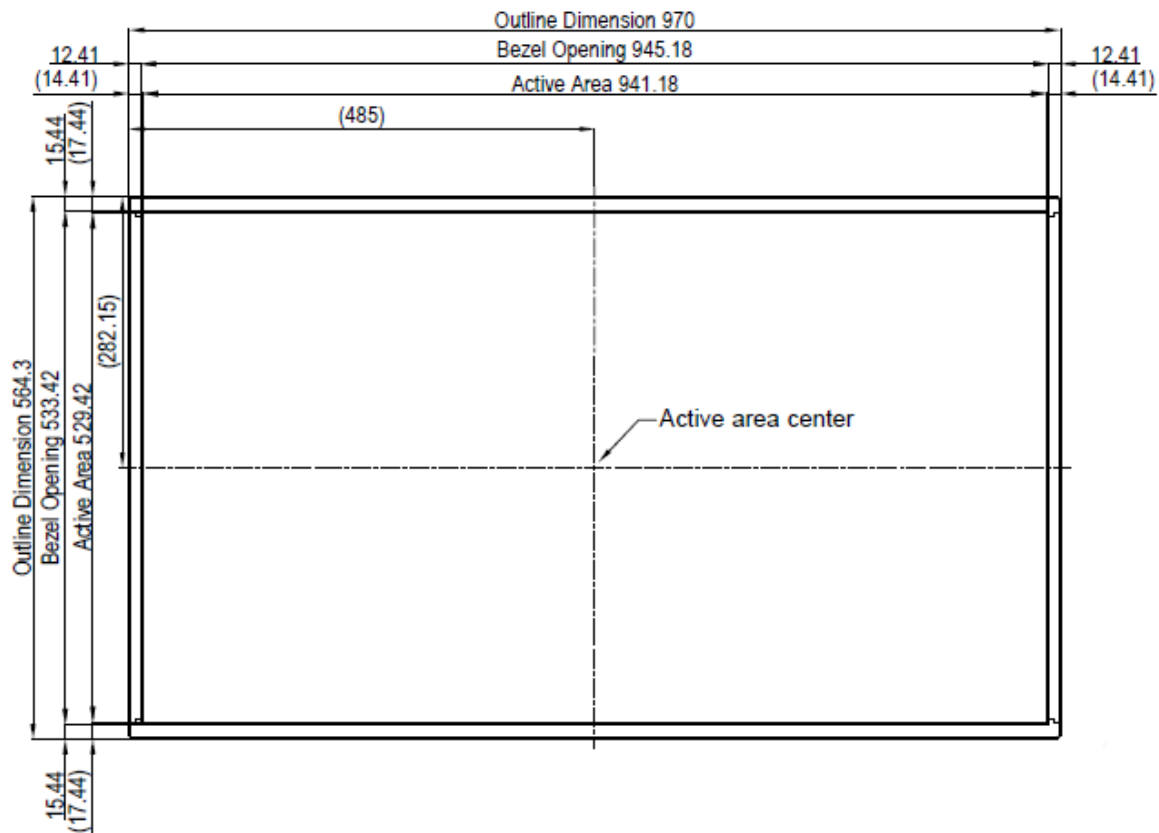
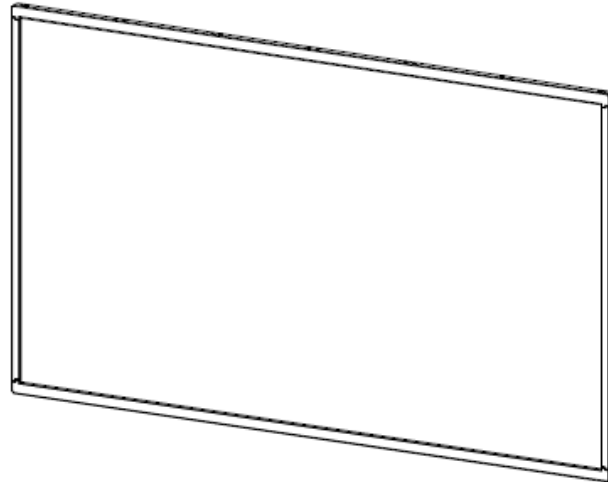
SPECIFICATIONS

Model No.	DLF4308-L / DLH4308-L V1
Description	43" TFT LCD, LED Backlight 1600 nits, FHD (1920x1080)
Display Area (mm)	941.18(H) x 529.42(V)
Brightness	1600 cd/m ²
Resolution	1920x1080
Aspect Ratio	16 : 9
Contrast Ratio	1400 : 1
Pixel Pitch (mm)	0.49(H) x 0.49(V)
Pixel Pre Inch (PPI)	51
Viewing Angle	178°(H),178°(V)
Color Saturation (NTSC)	82%
Display Colors	16.7M
Response Time (Typical)	12ms
Panel Interface	LVDS
AD Board Input Interface	VGA, DVI-D, HDMI
AD Board Input Power	AC100~240V
Power Consumption	95W (109W with AD Board)
OSD Key	4 Keys (Power Switch, Menu, +, -)
OSD Control	Brightness, Color, Contrast, Auto Turing, H/V Position...etc
Dimensions (mm)	970 x 564.3 x 26.92
Bezel Size(U/B/L/R)	15.44/15.44/12.41/12.41 mm
Weight (Net)	9.8 kg
Operating Temperature	0 °C ~ 50 °C
Storage Temperature	-20 °C ~ 60 °C

*Specifications are subject to change without notice. **All brands or product names are trademarks or registered trademarks of their respective companies.

DLF= Panel + LED Driving Board

DLH= Panel + LED Driving Board + AD Control Board



Note:
 1.LCD connector: F1-RXE51S-HF(manufactured by JAE) or compatible
 Mating Connector : F1-R51HL(JAE) or compatible
 2.Tolerance is ± 1.0 mm unless noted
 3. "()" marks the reference dimension

