

# DLF/DLH4906-LNU V1

49" TFT LCD, 1200 nits LED backlight, UHD (3840x2160)

The DLF/DLH4906-LNU is a 49 inch industrial grade sunlight readable LCD with a high brightness of 1200 nits. It produces sharp images, crisp text, and lifelike colors. The Durapixel LED backlight technology ensures high reliability and low power consumption, suitable for outdoor, kiosk, factory automation, military, transportation, gaming applications, and so much more.



## KEY FEATURES

- High Brightness 1200 nits
- Sunlight Readable
- LED Backlight
- LCD Blacking Defect Free (H-Tni 110°C)
- Slim Bezel
- BL MTBF: 100,000 hours

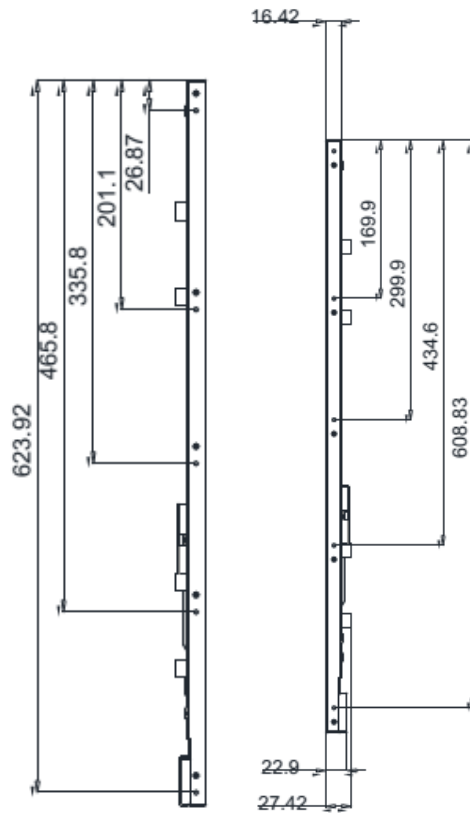
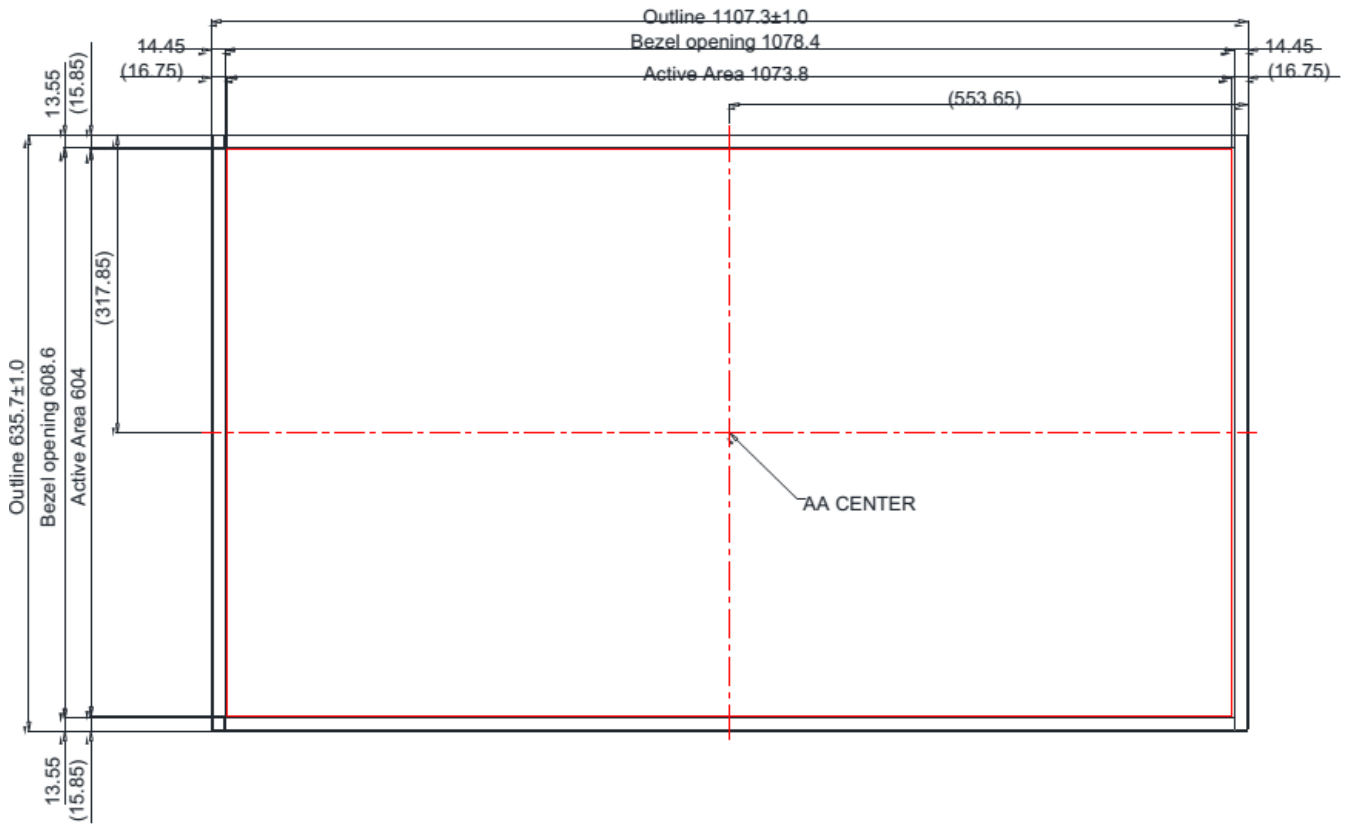
## SPECIFICATIONS

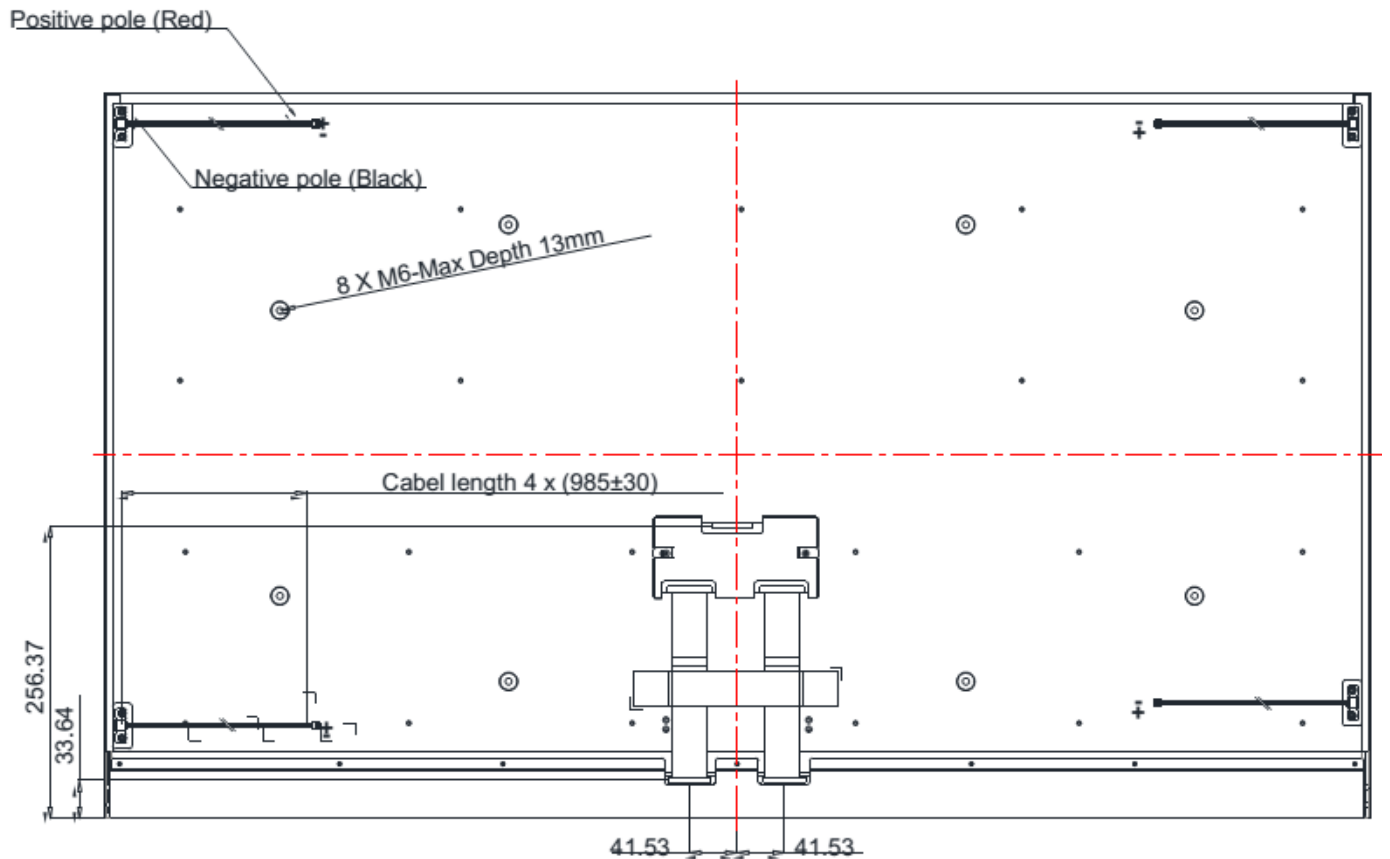
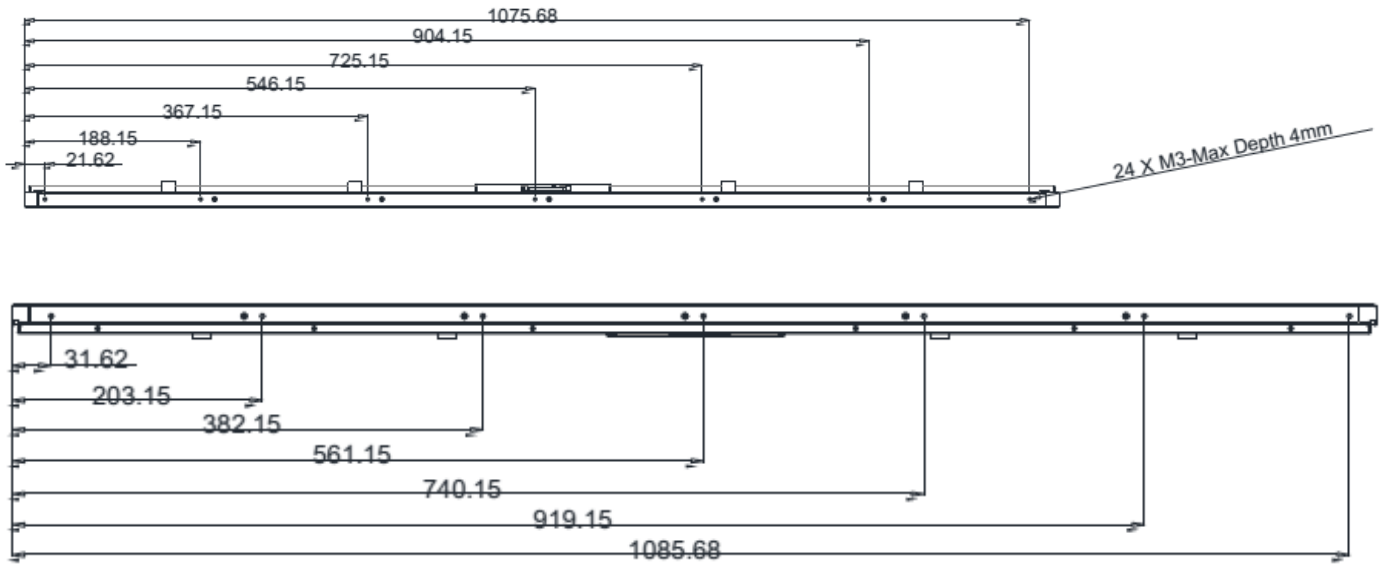
Model No.	DLF/DLH4906-LNU V1
Description	49" TFT LCD, LED Backlight 1200 nits, UHD (3840x2160)
Display Area (mm)	1073.8(H) x 604(V)
Brightness	1200 cd/m <sup>2</sup>
Resolution	3840 x 2160
Aspect Ratio	16 : 9
Contrast Ratio	1100 : 1
Pixel Pitch (mm)	0.27963(H) x 0.27963(V)
Pixel Per Inch (PPI)	90
Viewing Angle	178°(H),178°(V)
Color Saturation (NTSC)	82%
Display Colors	1.07G
Response Time (Typical)	8ms
Panel Interface	V-by-One
AD Board Input Interface	DVI, HDMI, DP
AD Board Input Power	AC100~240V
Power Consumption	123W, 148W (with AD board)
OSD Key	5 Keys (Power Switch, Menu, +, Exit, -)
OSD Control	Brightness, Color, Contrast, Auto Turing, H/V Position...etc
Dimensions (mm)	1107.3 x 635.7 x 27.4
Bezel Size(U/B/L/R)	13.55/13.55/14.45/14.45 mm
Weight (Net)	15.5kg
Operating Temperature	0 °C ~ 50 °C
Storage Temperature	-20 °C ~ 60 °C

\*Specifications are subject to change without notice. \*\*All brands or product names are trademarks or registered trademarks of their respective companies.

DLF= Panel + LED Driving Board

DLH= Panel + LED Driving Board + AD Control Board





- Note :
1. Tolerance is  $\pm 0.5\text{mm}$  unless noted.
  2. "( )" marks the reference dimension.