

SSD1624-B

16.3" LCD, 350nits, LED backlight, 1366x238 ultra-wide aspect ratio 16:2.8

The SSD1624-B is a 16.3 inch color TFT-LCD display with a special aspect ratio of 16:2.8 and wide resolution of 1366 x 238. It is a part of Litemax's Spanpixel series designed for high brightness and a power efficient LED backlight. It has a specific aspect ratio great for digital signage, public transportation, exhibition hall, department store, and vending machine applications.



KEY FEATURES

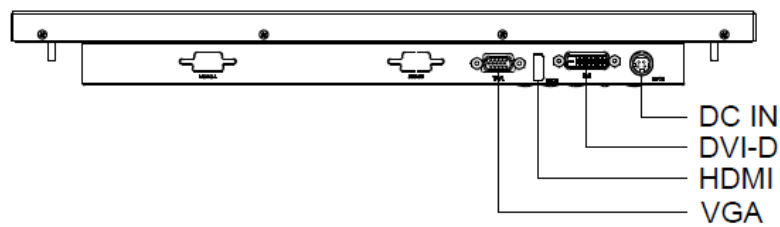
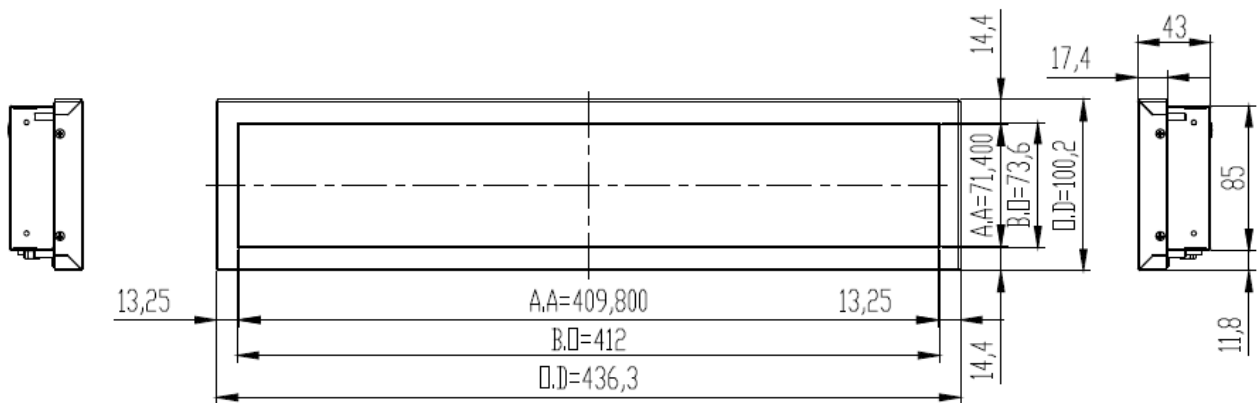
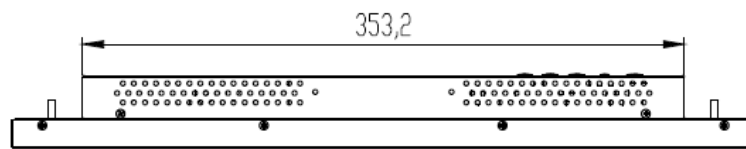
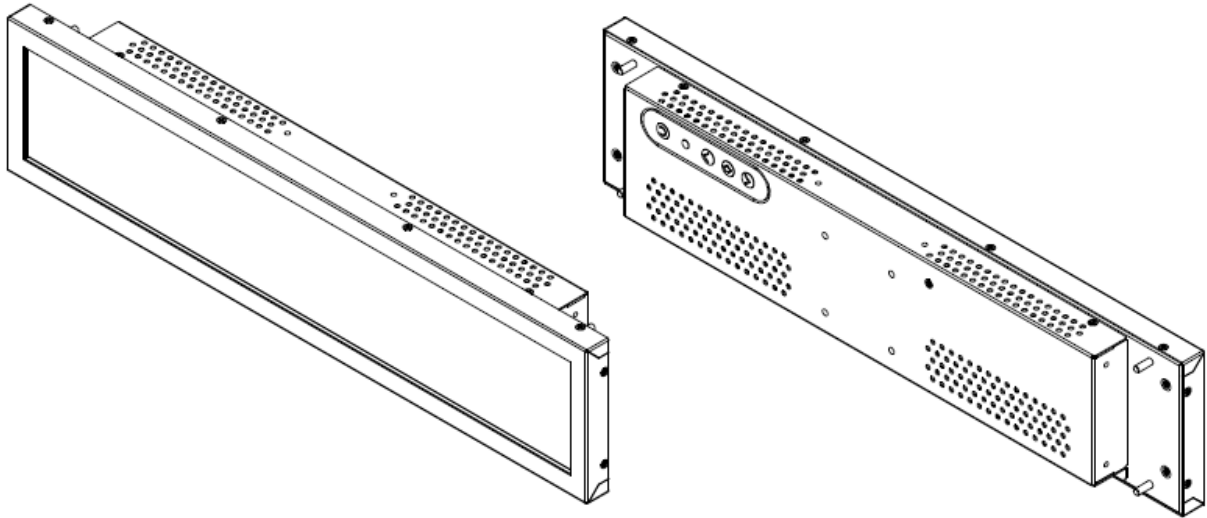
- Resizing LCD
- Ultra Wide Screen 16:2.8
- LED Backlight
- Brightness 350nits
- Low Power Consumption
- BL MTBF: 100,000 hours

SPECIFICATIONS

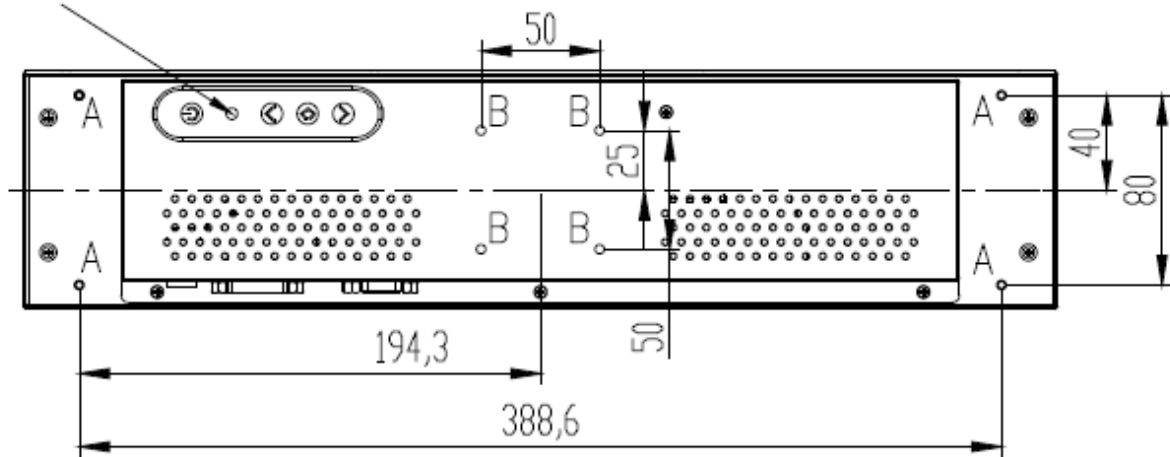
Model No.	SSD1624-B
Description	16.3" TFT LCD, 350nits LED backlight , 1366x238
Display Area (mm)	409.800(H) x 71.400(V)
Brightness	350 cd/m ²
Resolution	1366x238
Aspect Ratio	16 : 2.8
Contrast Ratio	1000 : 1
Pixel Pitch (mm)	0.300(H) x 0.300(V)
Pixel Pre Inch (PPI)	84
Viewing Angle	178°(H),178°(V)
Color Saturation (NTSC)	77%
Display Colors	16.7M
Response Time (Typical)	16ms
Panel Interface	LVDS
AD Board Input Interface	VGA, DVI-D, HDMI
AD Board Input Power	DC12V
Power Consumption	8.8W
OSD Key	4 Keys (Power Switch, Menu, +, -)
OSD Control	Brightness, Color, Contrast, Auto Turing, H/V Position...etc
Dimensions (mm)	436.3(H) x100.2(V) x 43(T)
Bezel Size(U/B/L/R)	14.4/14.4/13.25/13.25 mm
Mounting	50x50, 388.6x80
Weight (Net)	11kg
Operating Temperature	0 °C ~ 50 °C
Storage Temperature	-20 °C ~ 60 °C

*Specifications are subject to change without notice. **All brands or product names are trademarks or registered trademarks of their respective companies.

SSD= Panel + LED Driving Board + AD Control Board + Chassis



4-KEY MEMBRANE



Note:

O.D : Outline Dimension

B.O : Bezel Opening

A.A : LCD Active Area

A:4-M4 FH L=11mm

B:4-M4 USER HOLE _MAX. DEPTH=5mm