

SSD1725-B

17.2" LCD, 1000nits, LED backlight, 1366x510 ultra-wide aspect ratio 16:6

The SSD1725-B is a 17.2 inch color TFT-LCD display with a special aspect ratio of 16:6 and wide resolution of 1366 x 510. It is a part of Litemax's Spanpixel series designed for high brightness and a power efficient LED back-light. It has a specific aspect ratio great for digital signage, public transportation, exhibition hall, department store, and vending machine applications.



KEY FEATURES

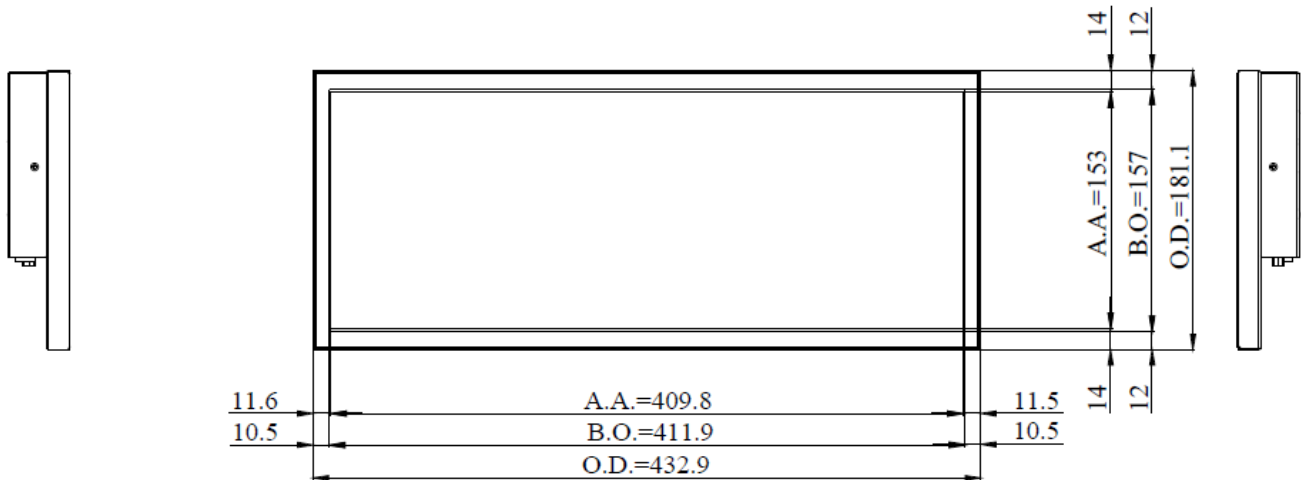
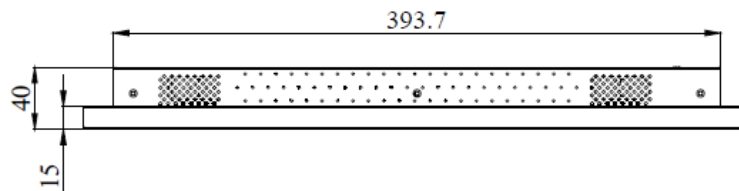
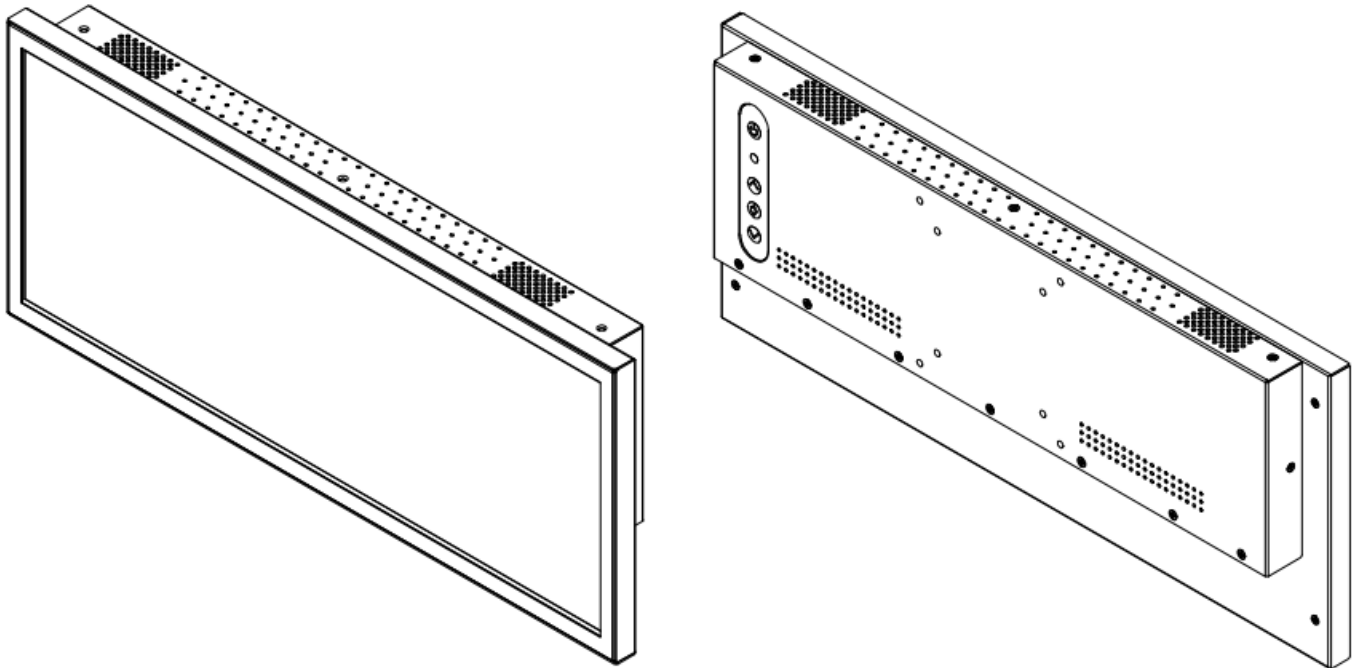
- Resizing LCD
- Ultra Wide Screen 16:6
- LED Backlight
- Brightness 1000nits
- Low Power Consumption
- BL MTBF: 100,000 hours

SPECIFICATIONS

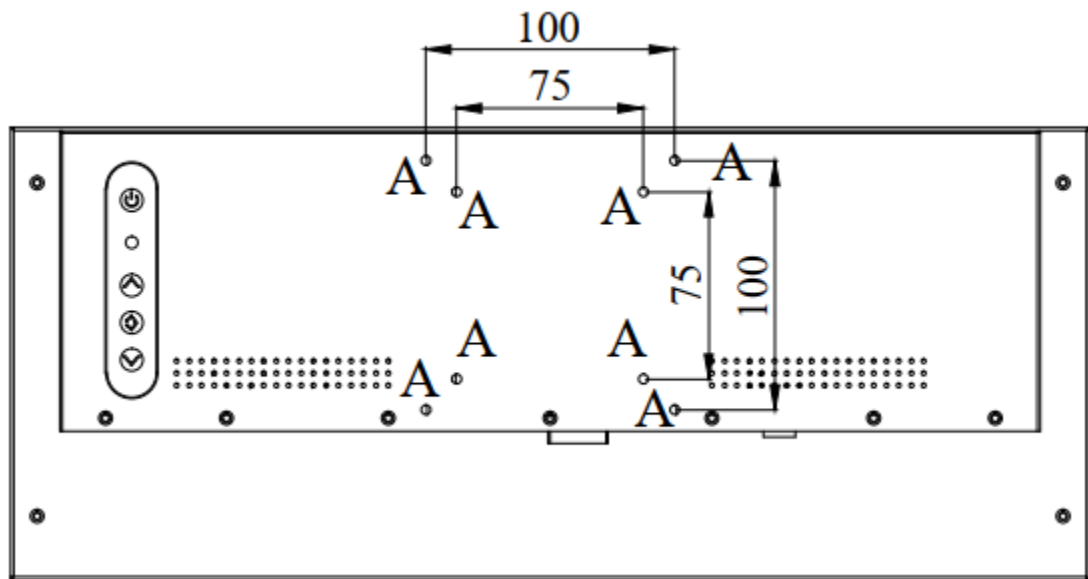
Model No.	SSD1725-B
Description	17.2" TFT LCD, 1000nits LED backlight , 1366x510
Display Area (mm)	409.8(H) x 153(V)
Brightness	1000 cd/m ²
Resolution	1366x510
Aspect Ratio	16 : 6
Contrast Ratio	850 : 1
Pixel Pitch (mm)	0.300(H) x 0.300(V)
Pixel Pre Inch (PPI)	84
Viewing Angle	178°(H),178°(V)
Color Saturation (NTSC)	79%
Display Colors	16.7M
Response Time (Typical)	16ms
Panel Interface	LVDS
AD Board Input Interface	DVI-I, HDMI, DP
AD Board Input Power	DC12V
Power Consumption	17.4W
OSD Key	4 Keys (Power Switch, Menu, +, -)
OSD Control	Brightness, Color, Contrast, Auto Turing, H/V Position...etc
Dimensions (mm)	432.9x181.1x40
Bezel Size(U/B/L/R)	14/14/11.6/11.5 mm
Mounting	75x75, 100x100
Weight (Net)	2.3Kg
Operating Temperature	0 °C ~ 50 °C
Storage Temperature	-20 °C ~ 60 °C

*Specifications are subject to change without notice. **All brands or product names are trademarks or registered trademarks of their respective companies.

SSD= Panel + LED Driving Board + AD Control Board + Chassis



DC 12V
HDMI
DVI-I
DP



NOTE :

O.D. : OUTLINE DIMENSION

B.O. : BEZEL OPENING

A.A. : LCD ACTIVE AREA

A : 4-M4_USER HOLE_MAX. DEPTH=4 mm