

SSD1905-Y

19" LCD, 1000nits LED backlight, 1920 x 360 ultra-wide aspect ratio 16:3

The SSD1905-Y is a 19 inch color TFT-LCD display with a special aspect ratio of 16:3 and wide resolution of 1920 x 360. It is a part of Litemax's Spanpixel series designed for high brightness and a power efficient LED back-light. It has a specific aspect ratio great for digital signage, public transportation, exhibition hall, department store, and vending machine applications.

KEY FEATURES

- Ultra-Wide Screen (16 : 3)
- High Brightness
- Sunlight Readable
- LED Backlight
- Low Power Consumption

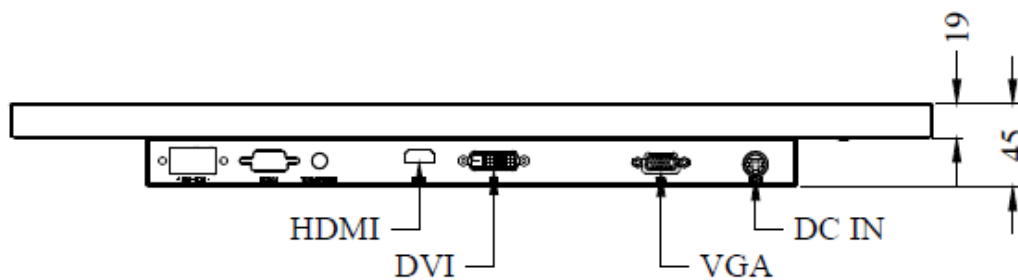
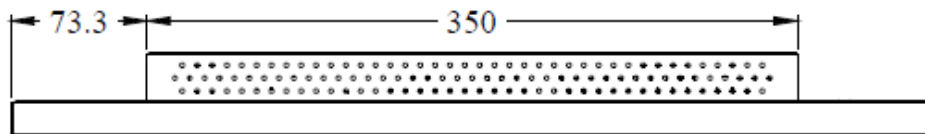
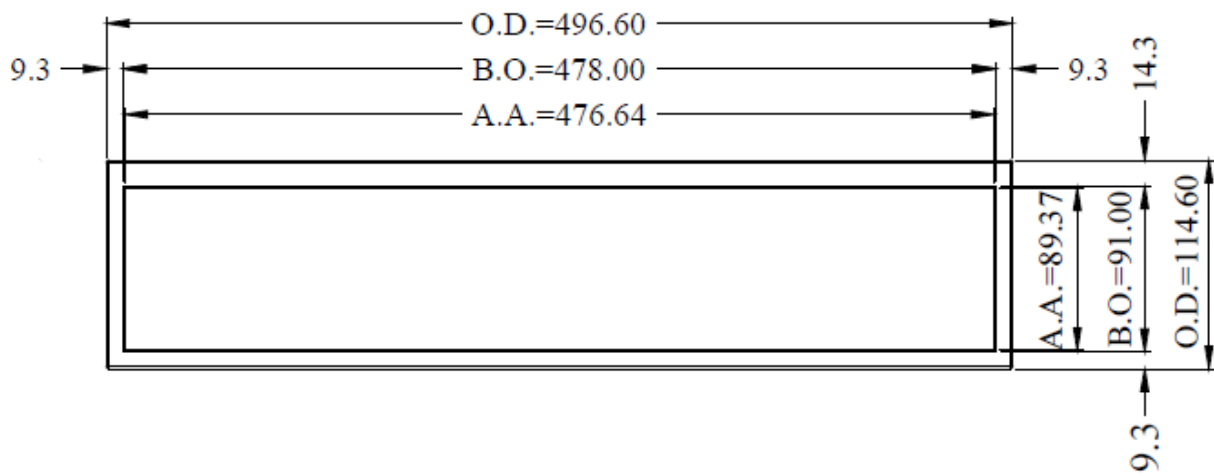
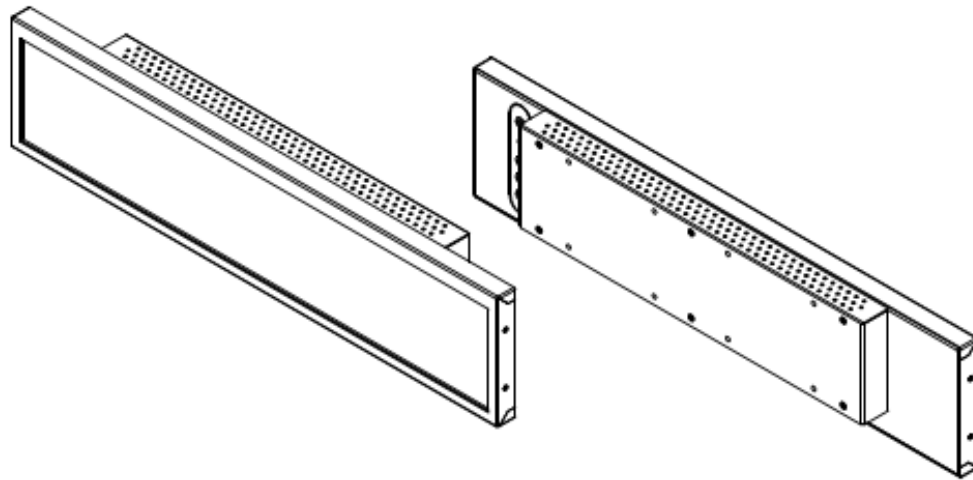


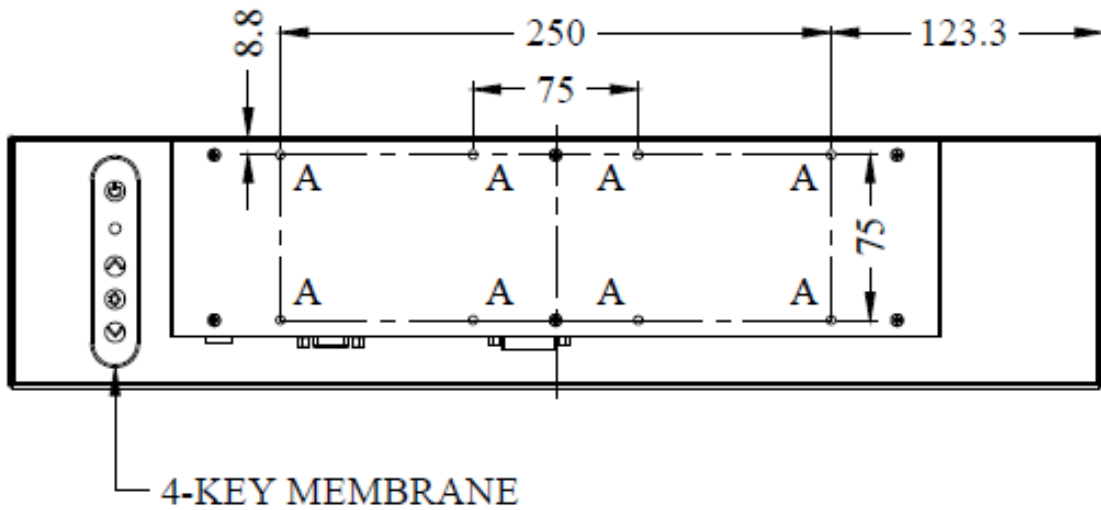
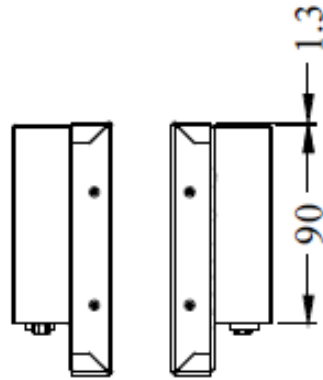
SPECIFICATIONS

Model No.	SSD1905-Y V1
Description	19" LCD, 1000nits LED backlight , 1920x360
Display Area (mm)	476.64(H) x 89.37(V)
Brightness	1000 cd/m ²
Resolution	1920x360
Aspect Ratio	16 : 3
Contrast Ratio	1150 : 1
Pixel Pitch (mm)	0.2482(H) x 0.2482(V)
Pixel Pre Inch (PPI)	103
Viewing Angle	178°(H),178°(V)
Color Saturation (NTSC)	84%
Display Colors	16.7M
Response Time (Typical)	30ms
Panel Interface	LVDS
AD Board Input Interface	VGA, DVI-D, HDMI
AD Board Input Power	DC12V
Power Consumption	17.5W
OSD Key	4 Keys (Power Switch, Menu, +, -)
OSD Control	Brightness, Color, Contrast, Auto Turing, H/V Position...etc
Dimensions (mm)	496.6x 114.6 x 45
Bezel Size(U/B/L/R)	14.3/9.3/9.3/9.3 mm
Mounting	75x75, 250x75
Weight (Net)	2.3Kg
Operating Temperature	0 °C ~ 50 °C
Storage Temperature	-20 °C ~ 60 °C

*Specifications are subject to change without notice. **All brands or product names are trademarks or registered trademarks of their respective companies.

SSD= Panel + LED Driving Board + AD Control Board + Chassis





NOTE :

O.D. : OUTLINE DIMENSION

B.O. : BEZEL OPENING

A.A. : LCD ACTIVE AREA

A : 8-M4_USER HOLE_MAX DEPTH=6 mm