

# SSD1916-I V1

19.1" LCD, 1200nits, LED backlight, 1920 x 388 ultra-wide aspect ratio 16:3.2

The SSD1916-I is a 19.1 inch color TFT-LCD display with a special aspect ratio of 16:3.2 and wide resolution of 1920 x 388. It is a part of Litemax's Spanpixel series designed for high brightness and a power efficient LED back-light. It has a specific aspect ratio great for digital signage, public transportation, exhibition hall, department store, and vending machine applications.



## KEY FEATURES

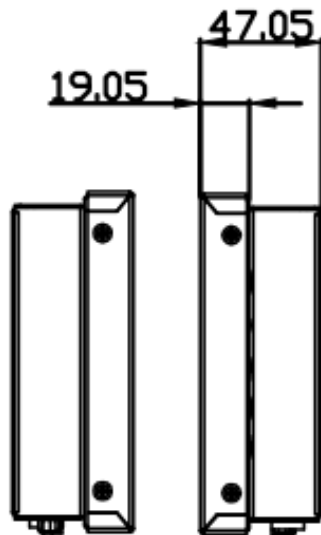
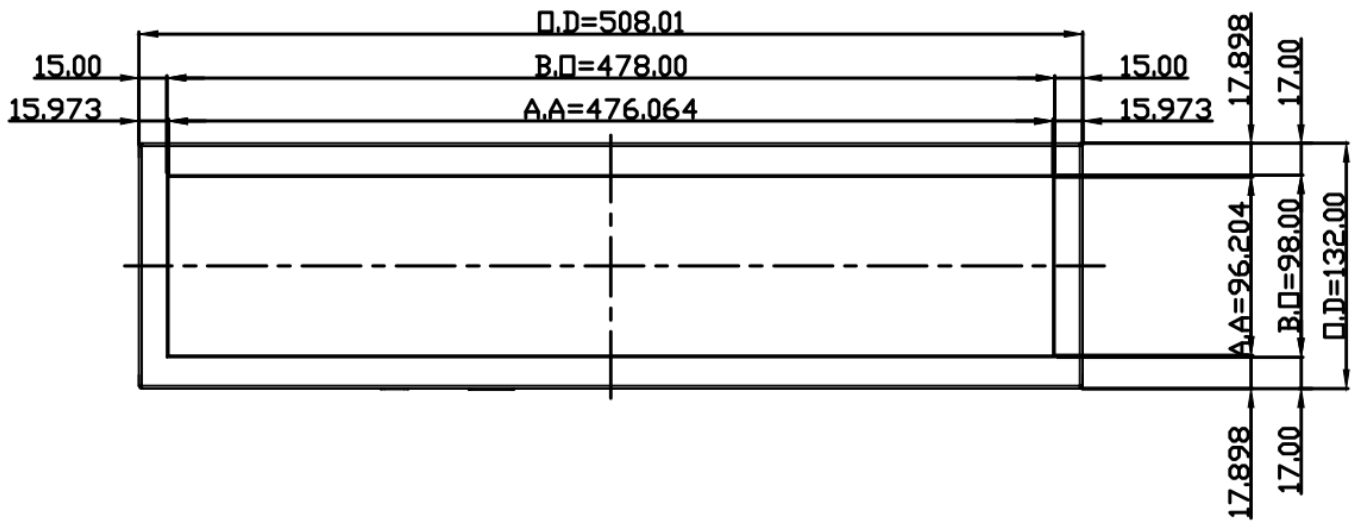
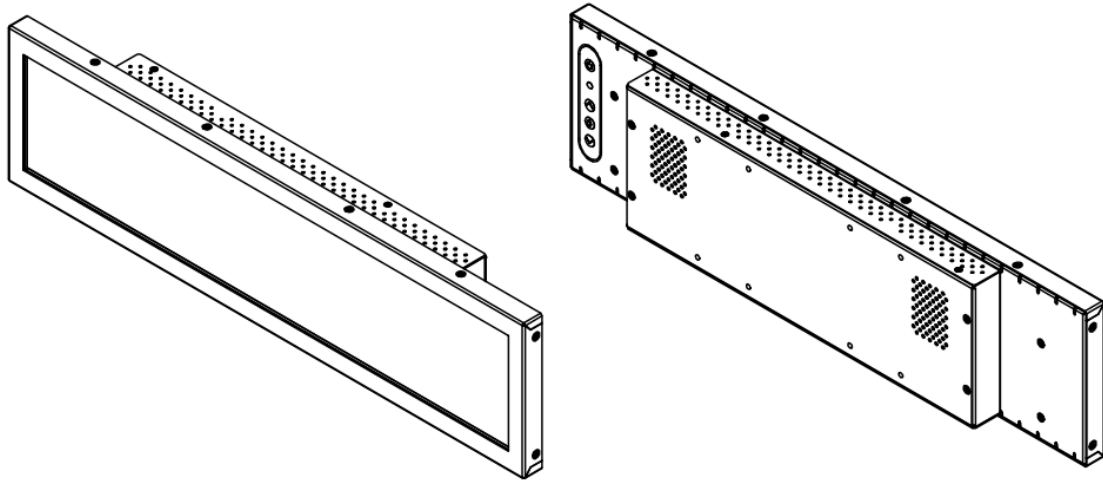
- Resizing LCD
- Ultra Wide Screen 16:3.2
- LED Backlight
- Brightness 1200nits
- Low Power Consumption
- BL MTBF: 100,000 hours

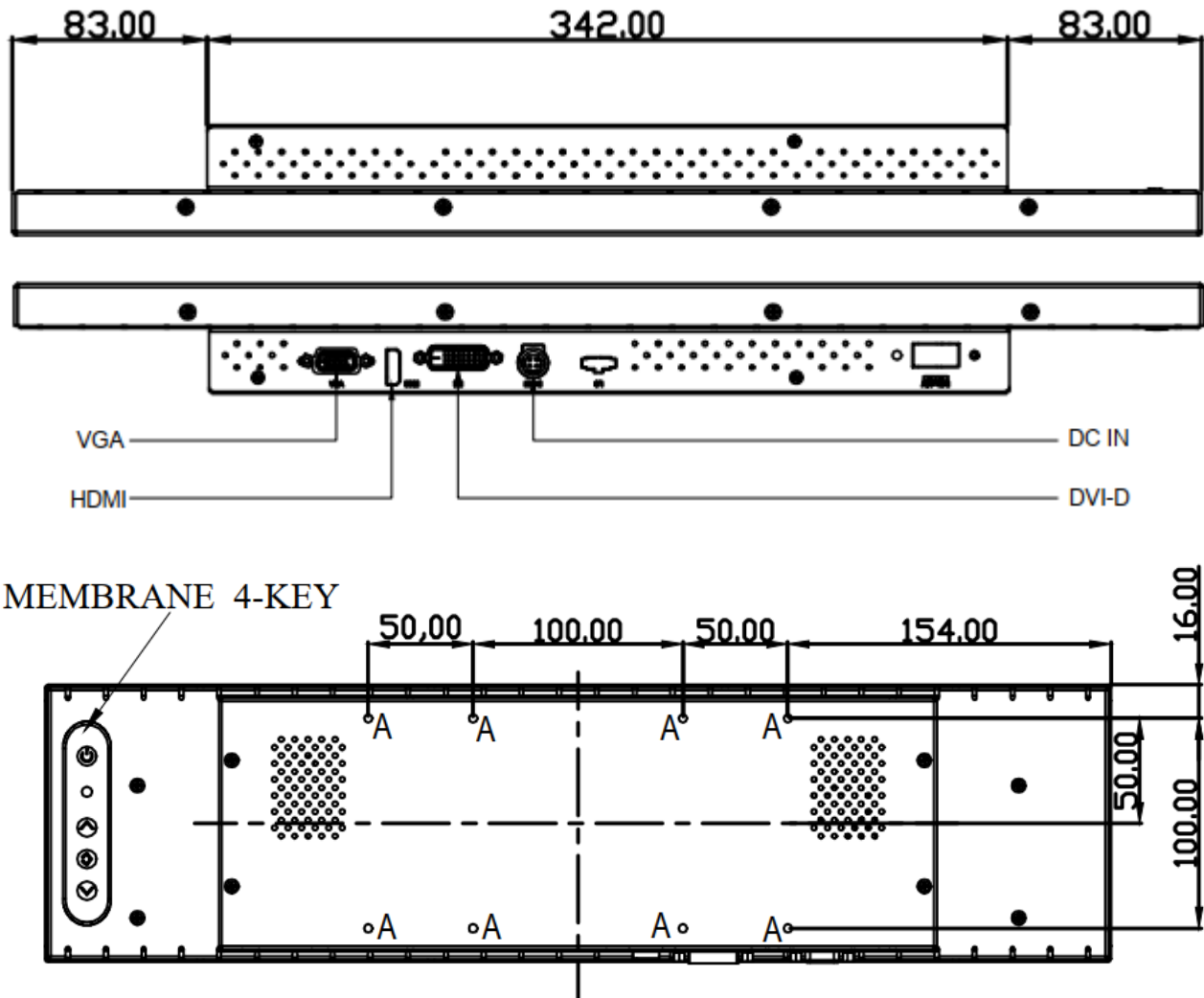
## SPECIFICATIONS

Model No.	SSD1916-I
Description	19.1" TFT LCD, 1200nits LED backlight , 1920 x 388
Display Area (mm)	476.064(H) x 96.204(V)
Brightness	1200 cd/m <sup>2</sup>
Resolution	1920 x 388
Aspect Ratio	16 : 3.2
Contrast Ratio	7100 : 1
Pixel Pitch (mm)	0.24795(H) x 0.24795(V)
Pixel Pre Inch (PPI)	102
Viewing Angle	178°(H),178°(V)
Color Saturation (NTSC)	81%
Display Colors	16.7M
Response Time (Typical)	20ms
Panel Interface	LVDS
AD Board Input Interface	VGA, DVI-D, HDMI
AD Board Input Power	DC12V
Power Consumption	16.5W
OSD Key	4 Keys (Power Switch, Menu, +, -)
OSD Control	Brightness, Color, Contrast, Auto Turing, H/V Position...etc
Dimensions (mm)	508.01x132.00x47.05
Bezel Size(U/B/L/R)	17.898/17.898/15.973/15.973 mm
Mounting	100x100mm ,200x100mm
Weight (Net)	2.7Kg
Operating Temperature	0 °C ~ 50 °C
Storage Temperature	-20 °C ~ 60 °C

\*Specifications are subject to change without notice. \*\*All brands or product names are trademarks or registered trademarks of their respective companies.

SSD= Panel + LED Driving Board + AD Control Board + Chassis





Note :

O.D. : OUTLINE DIMENSION

B.O. : BEZEL OPENING

A.A. : LCD ACTIVE AREA

A : 8-M4\_USER HOLE\_MAX DEPTH= 5 mm