

SSD1945-MNW_V1

19.4" TFT LCD, 1000 nits LED backlight

The SSD1945-M is a 19.4 inch color TFT-LCD display with a special aspect ratio of 16:4.5 and wide resolution of 1920 x 536. It is a part of Litemax's Spanpixel series designed for high brightness with its 1000 nits and its power efficiency LED backlight. This unique aspect ratio and sunlight readability make it great for digital signage, public transportation, exhibition halls, department stores, vending machines, and other applications.



KEY FEATURES

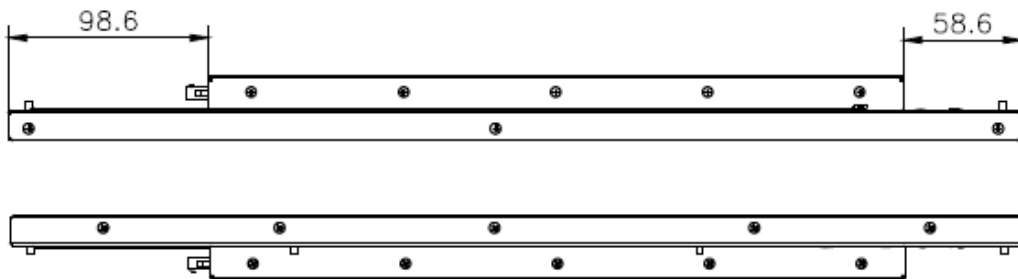
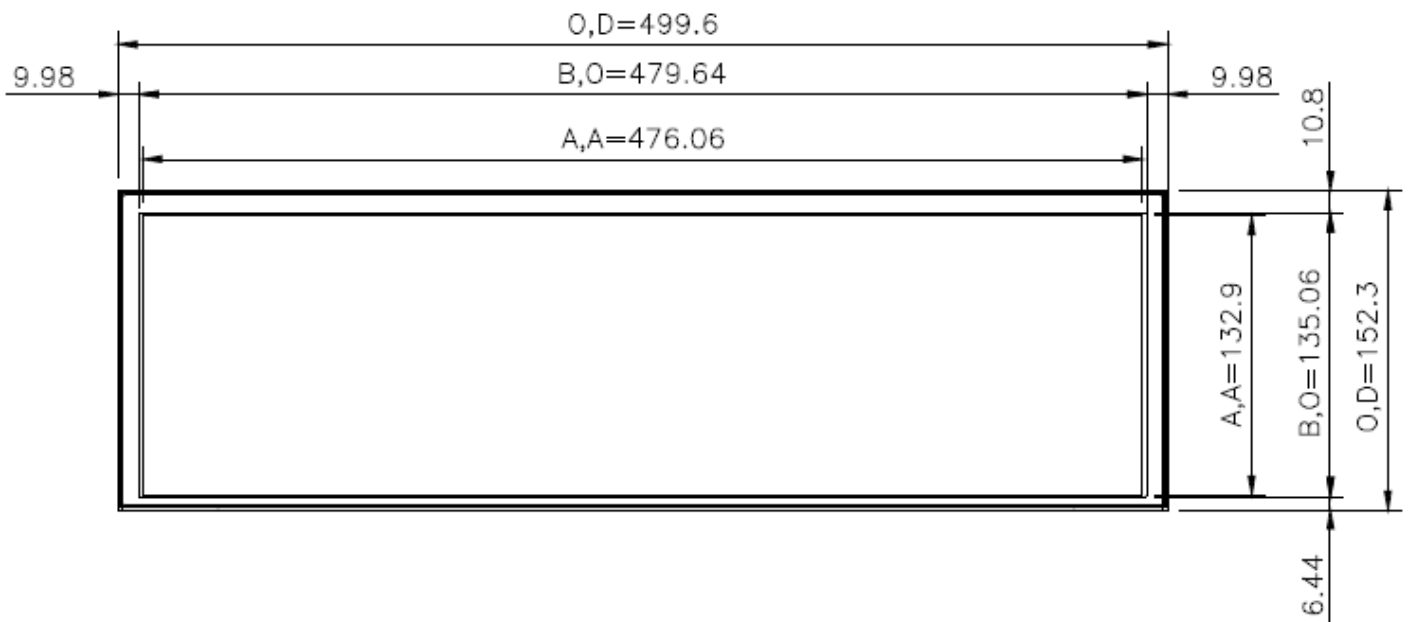
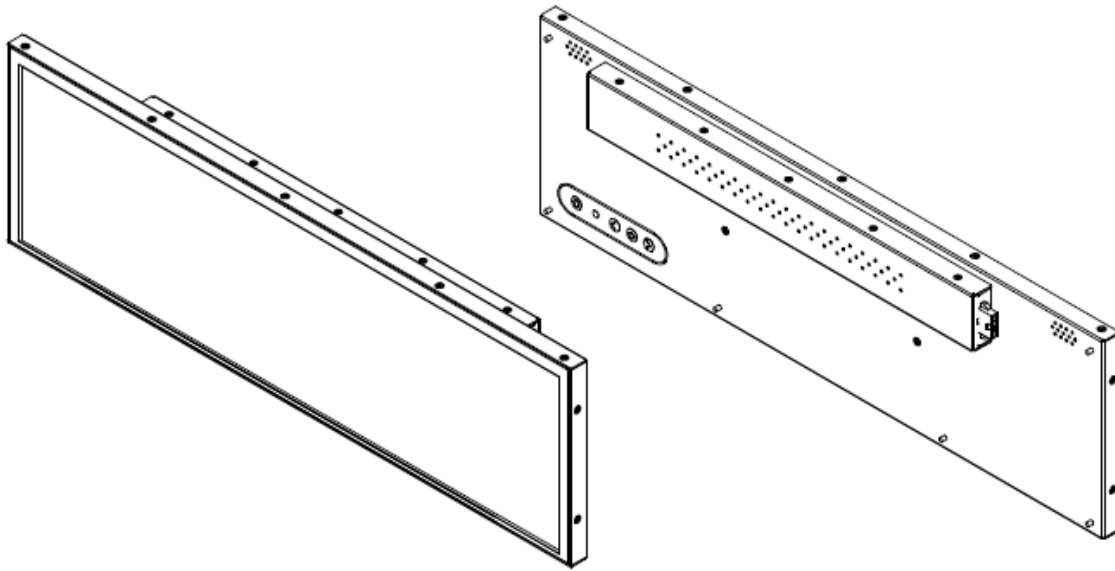
- Resizing LCD
- Ultra-Wide Screen (16 : 4.5)
- High Brightness 1000 nit
- LED Backlight
- High Color Saturation
- Wide viewing angle 178°(H)~ 178°(V)
- Low Power Consumption
- BL MTBF: 100,000 hours

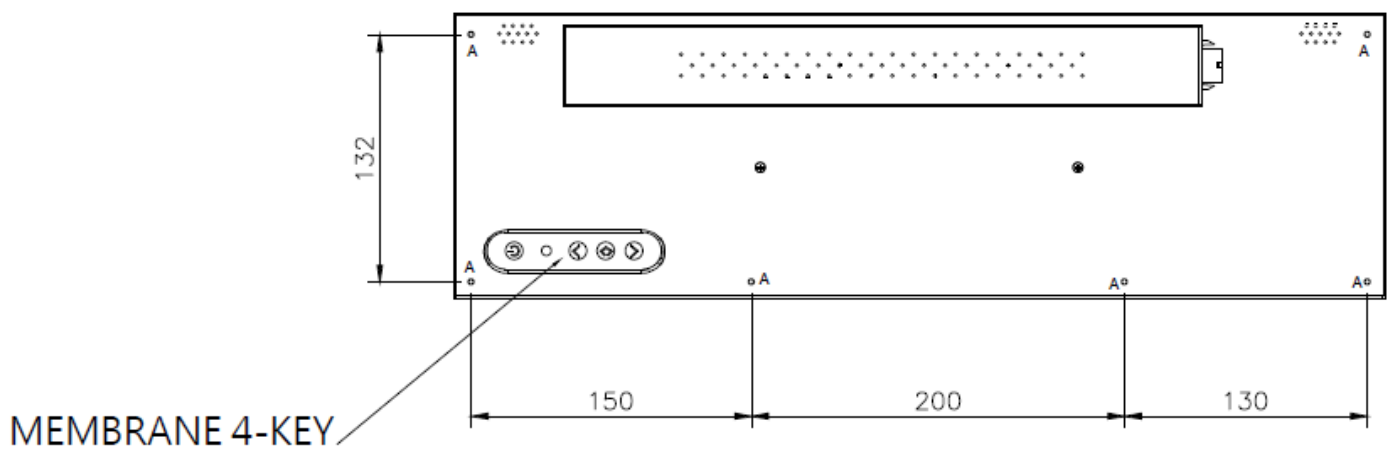
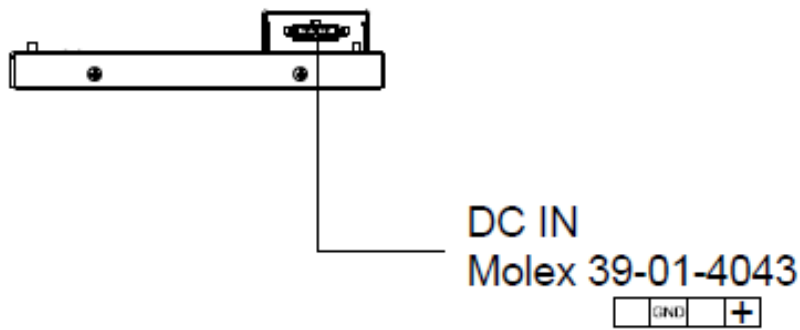
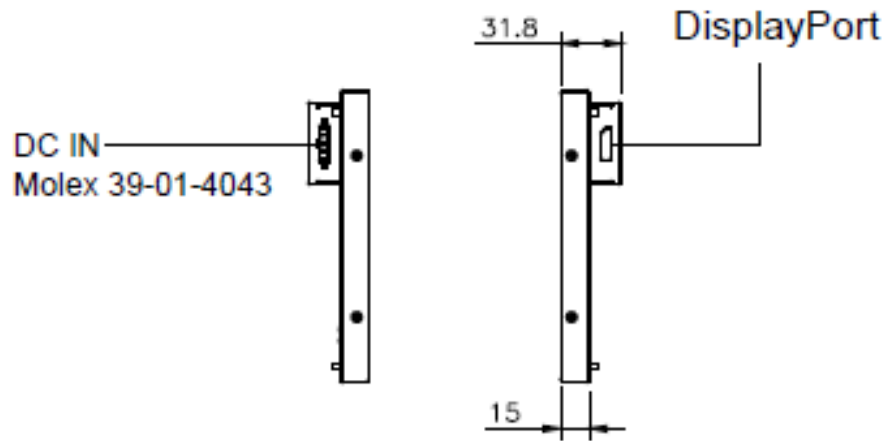
SPECIFICATIONS

Model No.	SSD1945-MNW
Description	19.4" Resizing LCD, 1000nits LED backlight, MaxRGB, 1920x536
Display Area (mm)	476.06(H) x 132.9(V)
Brightness	1000 cd/m ²
Resolution	1920x536
Aspect Ratio	16 : 4.5
Contrast Ratio	6000 : 1
Pixel Pitch (mm)	0.248(H) x 0.248(V)
Pixel Pre Inch (PPI)	102
Viewing Angle	178°(H),178°(V)
Color Saturation (NTSC)	92%
Display Colors	16.7M
Response Time (Typical)	20ms
Video Interface	LVDS
Input Power	DC12V
Power Consumption	23W
OSD Key	4 Keys (Power Switch, Menu, +, -)
OSD Control	Brightness, Color, Contrast, Auto Turing, H/V Position...etc
Dimensions (mm)	499.6x 152.3 x 31.8
Bezel Size(U/B/L/R)	10.8/6.44/9.98/9.98
Weight (Net)	1.9 kg
Operating Temperature	0 °C ~ 50 °C
Storage Temperature	-20 °C ~ 60 °C

*Specifications are subject to change without notice. **All brands or product names are trademarks or registered trademarks of their respective companies.

SSD= Panel + LED Driving Board + AD Control Board + Chassis





Note :
 O.D. : Outline Dimension
 B.O. : Bezel Opening
 A.A. : LCD Active Area
 A : 6-M3_FH_L=5mm(Include Base Sheet Metal)