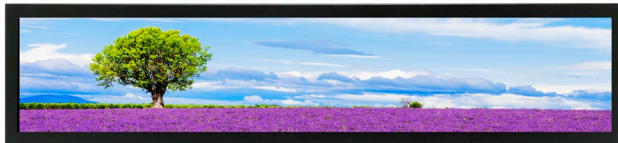


SSD2405-Y

24" LCD, 1000nits LED backlight, 1920 x 360 ultra-wide aspect ratio 16:3

The SSD2405-Y is a 24 inch color TFT-LCD display with a special aspect ratio of 16:3 and wide resolution of 1920 x 360. It is a part of Litemax's Spanpixel series designed for high brightness and power efficient LED back lights. Its specific aspect ratio and sunlight readability make it great for digital signage, public transportation, exhibition hall, department store, and vending machine applications.



KEY FEATURES

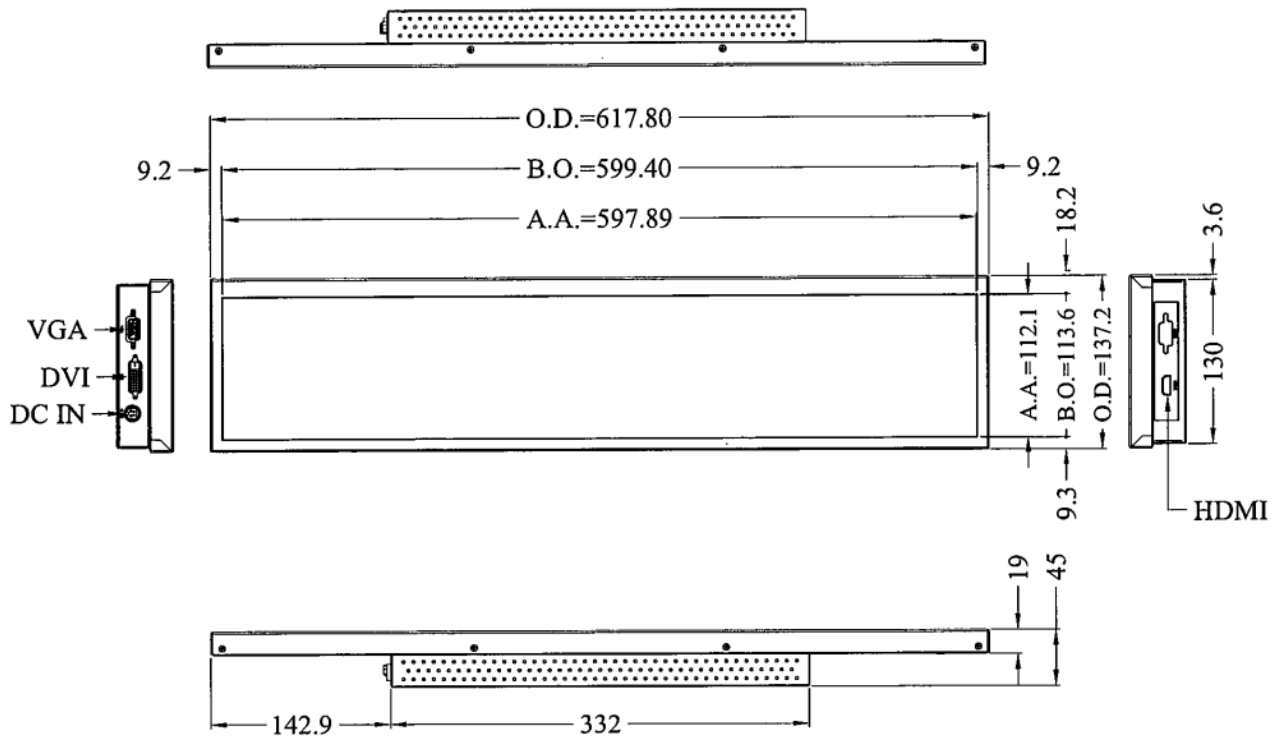
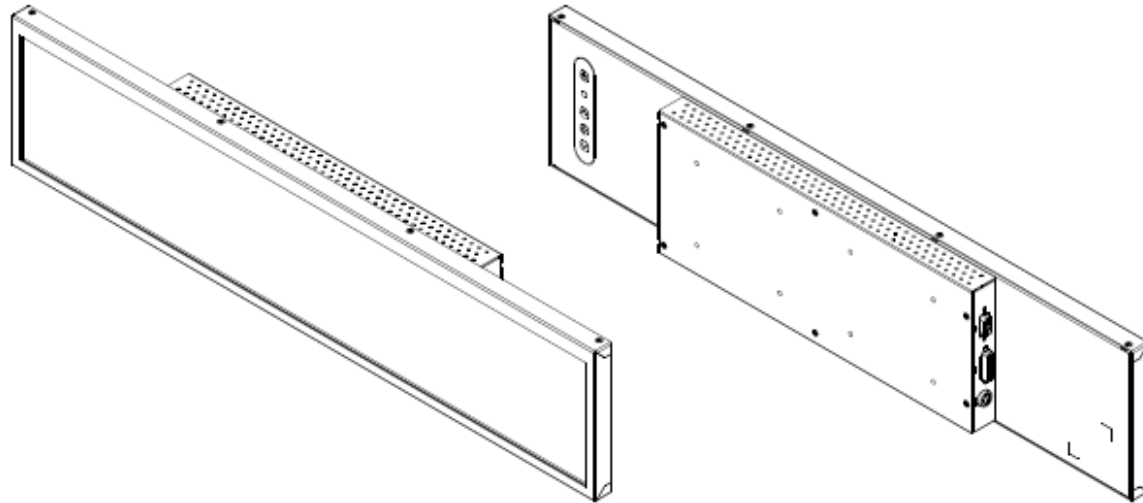
- Ultra-Wide Screen (16 : 3)
- High Brightness
- Sunlight Readable
- LED Backlight
- Low Power Consumption
- BL MTBF: 100,000 hours

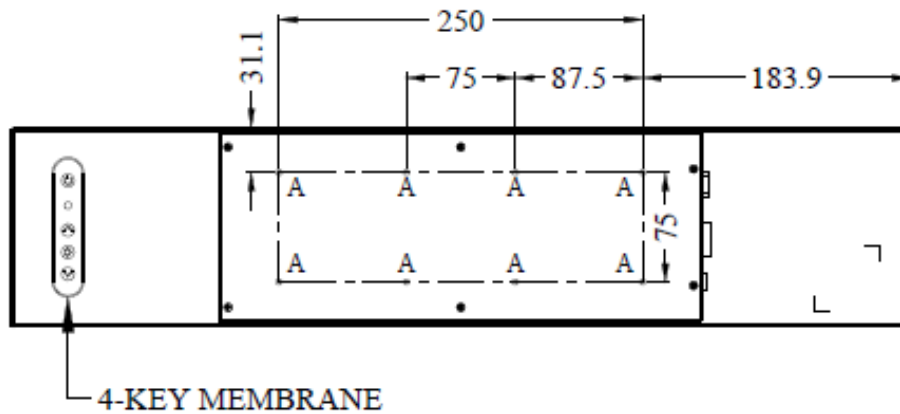
SPECIFICATIONS

Model No.	SSD2405-Y V1
Description	24" LCD, 1000nits LED backlight , 1920x360
Display Area (mm)	597.8(H) x 112.1(V)
Brightness	1000 cd/m ²
Resolution	1920x360
Aspect Ratio	16 : 3
Contrast Ratio	850 : 1
Pixel Pitch (mm)	0.3114(H) x 0.3114(V)
Pixel Pre Inch (PPI)	81
Viewing Angle	178°(H),178°(V)
Color Saturation (NTSC)	81%
Display Colors	16.7M
Response Time (Typical)	30ms
Panel Interface	LVDS
AD Board Input Interface	VGA, DVI-D, HDMI
AD Board Input Power	DC12V
Power Consumption	27.5W
OSD Key	4 Keys (Power Switch, Menu, +, -)
OSD Control	Brightness, Color, Contrast, Auto Turing, H/V Position...etc
Dimensions (mm)	617.8 x 137.2 x 45
Bezel Size(U/B/L/R)	18.2/9.3/9.2/9.2
Mounting	75x75, 250x75
Weight (Net)	4.6 kg
Operating Temperature	0 °C ~ 50 °C
Storage Temperature	-20 °C ~ 60 °C

*Specifications are subject to change without notice. **All brands or product names are trademarks or registered trademarks of their respective companies.

SSD= Panel + LED Driving Board + AD Control Board + Chassis





NOTE :

O.D. : OUTLINE DIMENSION

B.O. : BEZEL OPENING

A.A. : LCD ACTIVE AREA

A : 8-M4_USER HOLE_MAX DEPTH=6 mm