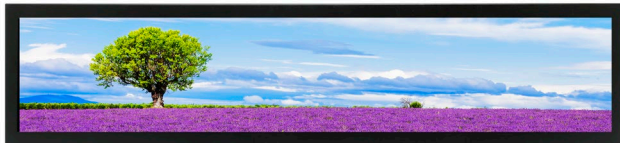


SSD3700-Y V1

37" TFT LCD, 2500 nits LED Backlight , 1920x540 ultra-wide aspect ratio 16:4.5

The SSD3700-Y is a 37 inch color TFT-LCD display with a special aspect ratio of 16:4.5 and wide resolution of 1920 x 540. It is a part of Litemax's Spanpixel series designed for high brightness and power efficient LED back lights. Its specific aspect ratio and sunlight readability make it great for digital signage, public transportation, exhibition hall, department store, and vending machine applications.



KEY FEATURES

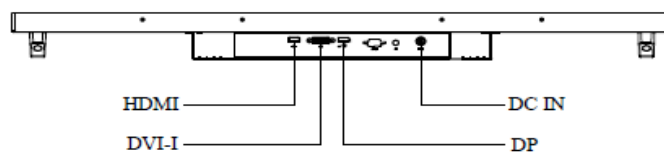
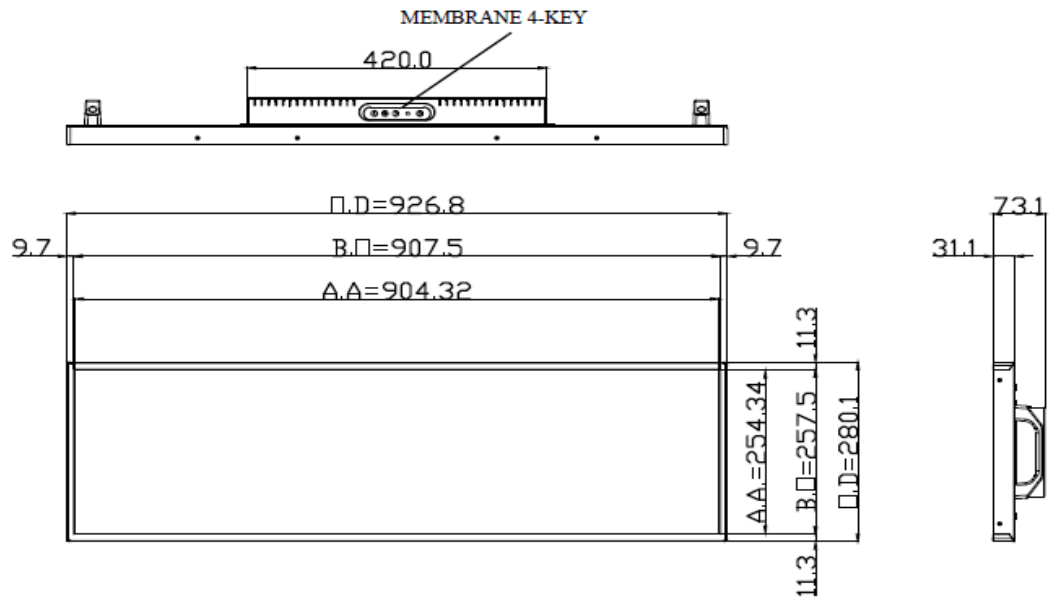
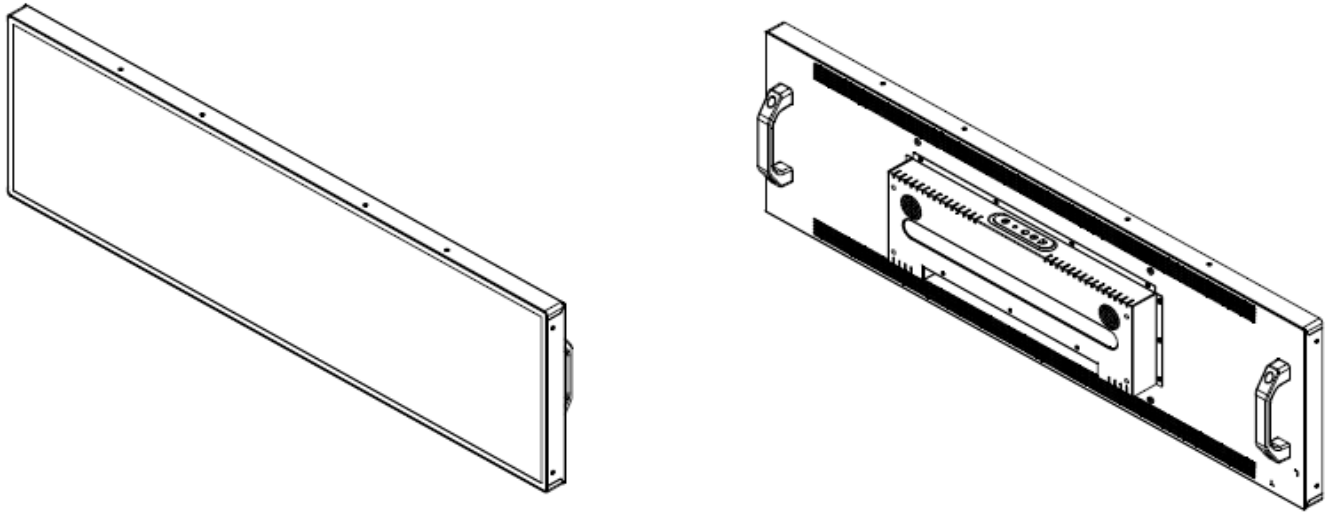
- 37" Stretched LCD
- Ultra-Wide Screen (16 : 4.5)
- High Brightness 2500 nits
- LED Backlight
- LCD blacking defect free (Hi-Tni 110 °C)
- Low Power Consumption
- BL MTBF: 70,000 hours

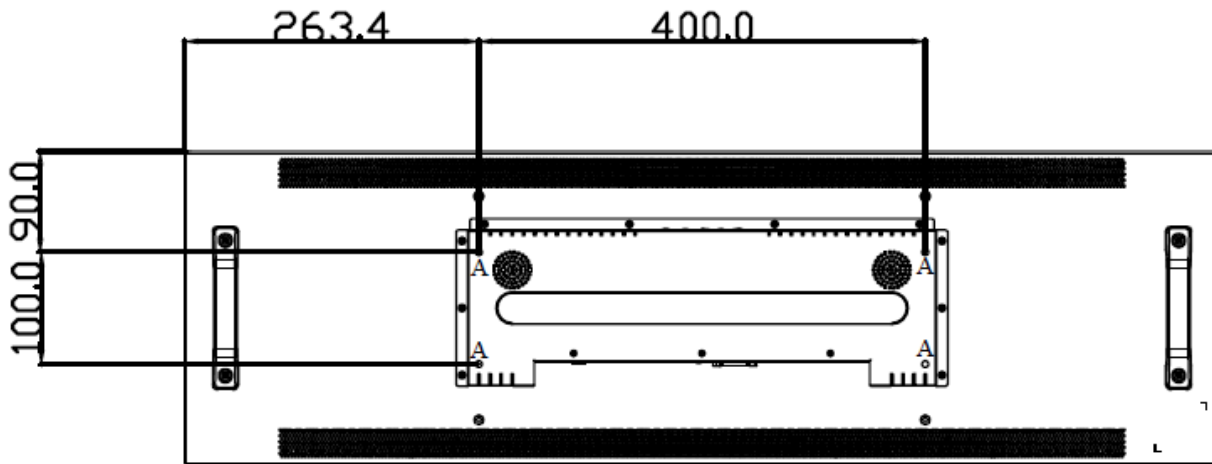
SPECIFICATIONS

Model No.	SSD3700-Y V1
Description	37" TFT LCD, 2500 nits LED backlight, 1920x540
Display Area (mm)	904.32(H) x 254.34(V)
Brightness	2500 cd/m ²
Resolution	1920x540
Aspect Ratio	16 : 4.5
Contrast Ratio	7900 : 1
Pixel Pitch (mm)	0.47(H) x 0.47(V)
Pixel Per Inch (PPI)	54
Viewing Angle	178°(H), 178°(V)
Color Saturation (NTSC)	64%
Display Colors	1073.7M
Response Time (Typical)	8ms
Panel Interface	LVDS
AD Board Input Interface	DVI-I, HDMI, DP
AD Board Input Power	DC 24V
Power Consumption	89W
OSD Key	4 Keys (Power Switch, Menu, +, -)
OSD Control	Brightness, Color, Contrast, Auto Turing, H/V Position...etc
Dimensions (mm)	926.8(H) x 280.1(V) x 73.1 (T)
Bezel Size(U/B/L/R)	11.3/11.3/9.7/9.7 mm
Mounting	400x100
Weight (Net)	8.57kg
Operating Temperature	0 °C ~ 50 °C
Storage Temperature	-20 °C ~ 60 °C

*Specifications are subject to change without notice. **All brands or product names are trademarks or registered trademarks of their respective companies.

SSD= Panel + LED Driving Board + AD Control Board + Chassis





Note : O.D : Outline Dimension(mm)
B.O : Bezel Opening
A.A : LCD Active Area
A:4-M6_USER HOLE_MAX DEPTH=6mm