

SSD4887-B V1

48.8" Resizing LCD, 1400 nits LED backlight, 1920 x 438 ultra-wide aspect ratio 16:3.6

The SSD4887-B is a 48.8 inch color TFT-LCD display with a special aspect ratio of 16:3.6 and wide resolution of 1920 x 438. It is a part of Litemax's Spanpixel series designed for high brightness and power efficient LED backlights. Its specific aspect ratio and sunlight readability make it great for digital signage, public transportation, exhibition hall, department store, and vending machine applications.



KEY FEATURES

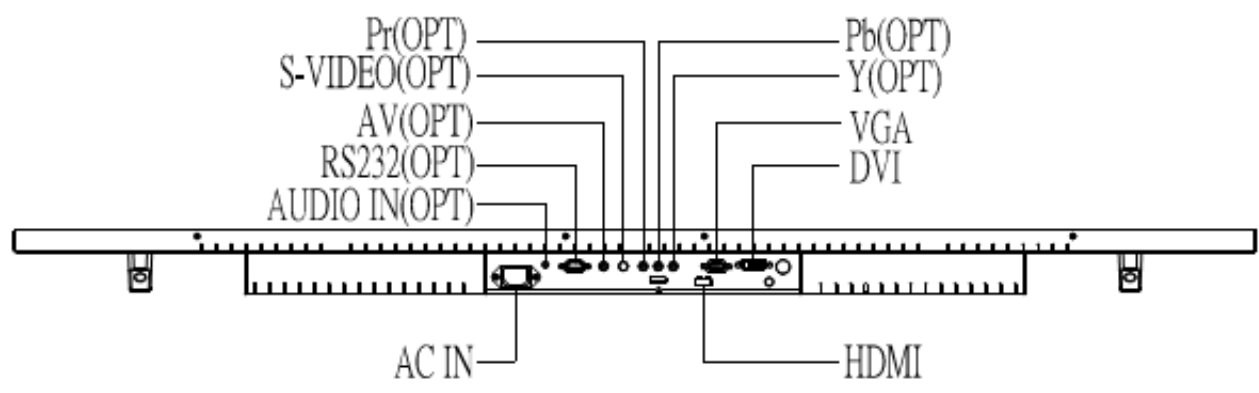
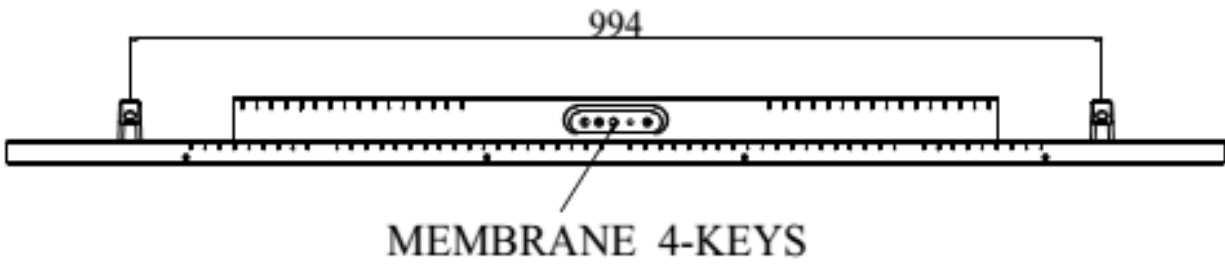
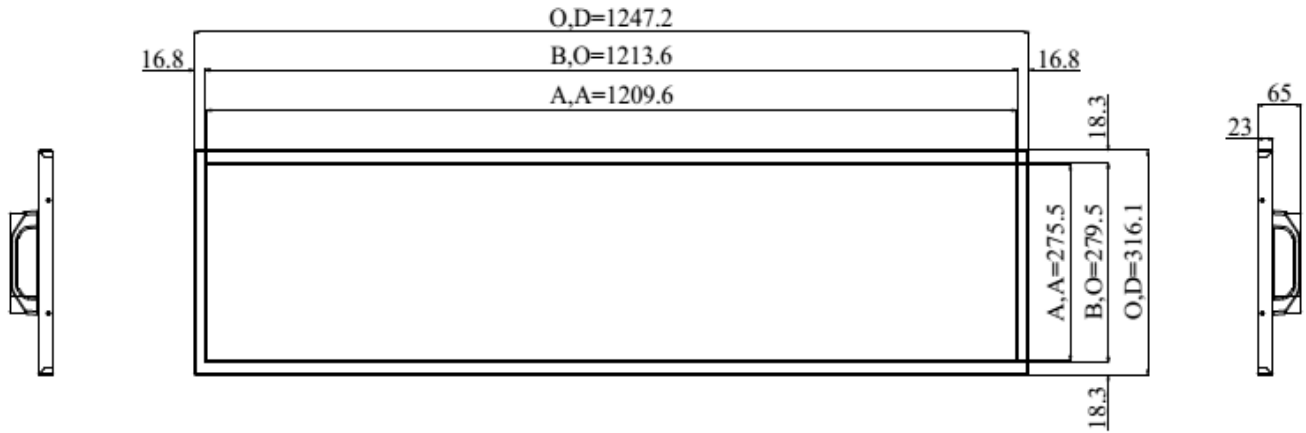
- Resizing LCD
- Ultra-Wide Screen (16 : 3.6)
- High Brightness 1400 nits
- Sunlight Readable
- LED Backlight
- Slim Bezel
- BL MTBF: 100,000 hours

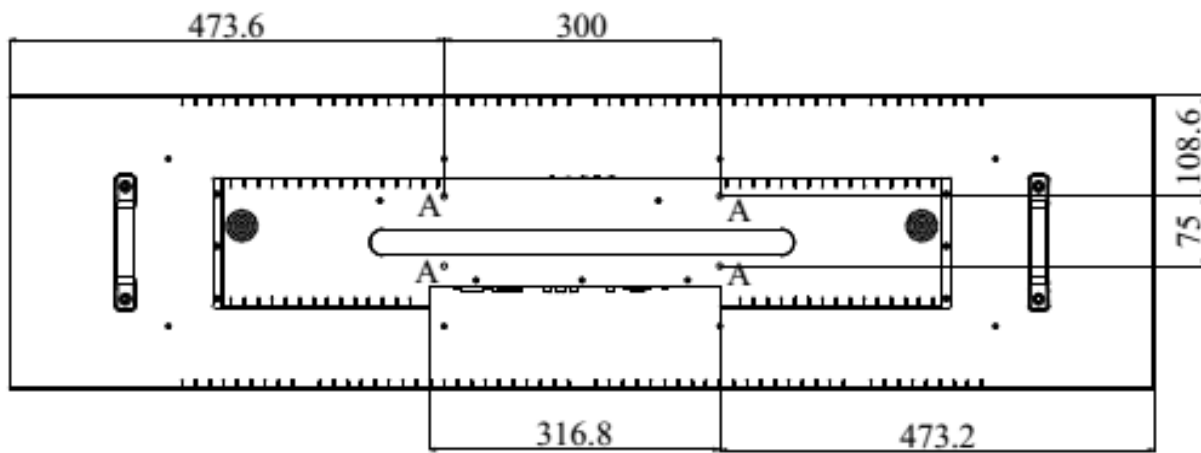
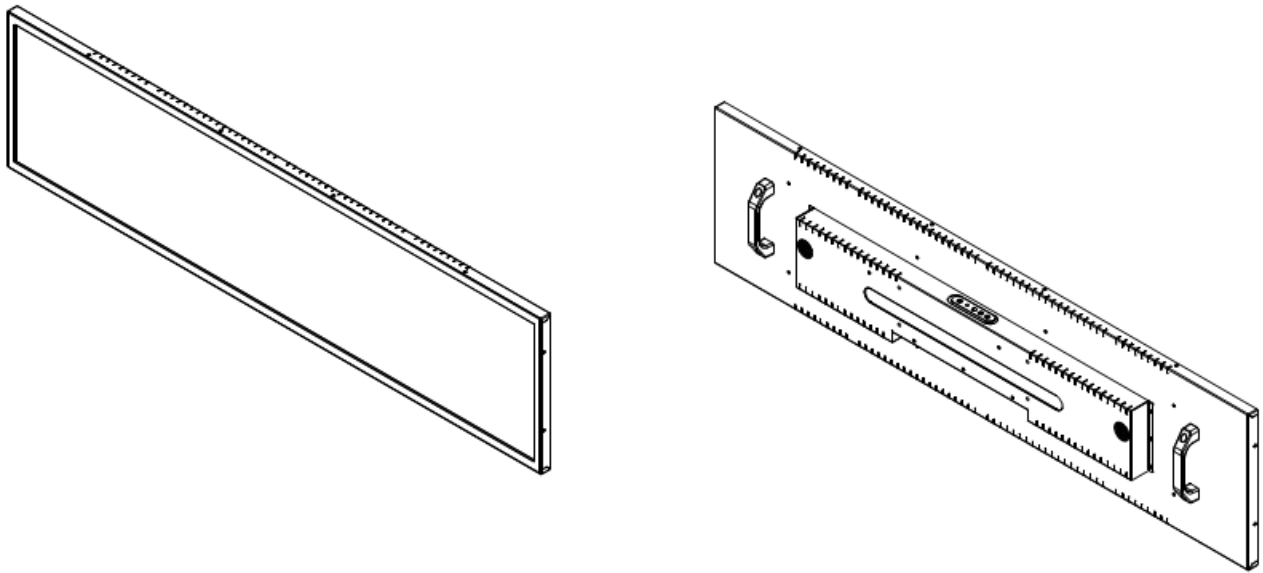
SPECIFICATIONS

Model No.	SSD4887-B V1
Description	48.8" Resizing LCD, 1400 nits LED backlight, 1920x438
Display Area (mm)	1209.6(H) x 275.5(V)
Brightness	1400 cd/m ²
Resolution	1920x438
Aspect Ratio	16 : 3.6
Contrast Ratio	1500 : 1
Pixel Pitch (mm)	0.63(H) x 0.63(V)
Pixel Per Inch (PPI)	40
Viewing Angle	178°(H), 178°(V)
Color Saturation (NTSC)	81%
Display Colors	16.7M
Response Time (Typical)	8ms
Panel Interface	LVDS
AD Board Input Interface	VGA, DVI-D, HDMI
AD Board Input Power	AC100~240V
Power Consumption	84W
OSD Key	4 Keys (Power Switch, Menu, +, -)
OSD Control	Brightness, Color, Contrast, Auto Turing, H/V Position...etc
Dimensions (mm)	1247.2 x 316.1 x 65
Bezel Size(U/B/L/R)	18.3/18.3/16.8/16.8 mm
Mounting	300x75
Weight (Net)	13.5 kg
Operating Temperature	0 °C ~ 50 °C
Storage Temperature	-20 °C ~ 60 °C

*Specifications are subject to change without notice. **All brands or product names are trademarks or registered trademarks of their respective companies.

SSD= Panel + LED Driving Board + AD Control Board + Chassis





NOTE :
O.D. : OUTLINE DIMENSION
B.O. : BEZEL OPENING
A.A. : LCD ACTIVE AREA
A : 4-M6_USER HOLE_MAX Depth=8mm